

4

3

2

1

THIS DRAWING IS UNPUBLISHED. RELEASED FOR PUBLICATION  
 BY TYCO ELECTRONICS CORPORATION. ALL RIGHTS RESERVED.

REV	DATE	BY	APPV	DESCRIPTION
A	15DEC2010	HMR	DD	REVISED PER ECR-10-025509

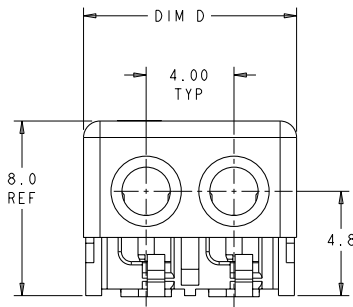
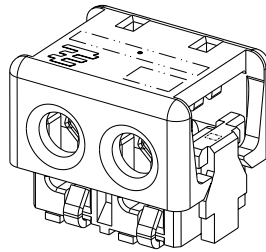
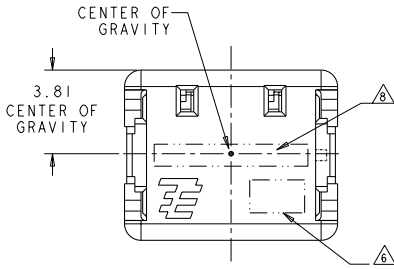
- △ MATERIALS AND FINISH:  
 - HOUSING: LCP, COLOR: NATURAL  
 - CONTACTS: COPPER ALLOY, FINISH: Sn OVER Ni
- 2. COMPLY WITH DIRECTIVE 2002/95/EC (ROHS).
- 3. THIS PRODUCT HAS NOT COMPLETED VALIDATION TESTING.
- 4. 18-22AWG SOLID OR STRANDED WIRE, PRE-BONDED,  
 19 STRANDS OR LESS:  
 18AWG MAX INSULATION OD: 2.20  
 20AWG MAX INSULATION OD: 1.90  
 22AWG MAX INSULATION OD: 1.70  
 24AWG MAX INSULATION OD: 1.45
- 5. PACKAGE IN TAPE AND REEL PER EIA-481 SPECIFICATION,  
 EXCEPT I POSITION CONNECTOR.
- △ 6. WIRE SIZE MARKING IN APPROXIMATE LOCATION SHOWN.
- △ 7. DATUMS AND BASIC DIMENSIONS ESTABLISHED BY CUSTOMER.
- △ 8. COLOR CODE MARKING, STRAIGHT LINE.
- △ 9. I POSITION ASSEMBLY DOES NOT COMPLY WITH EIA 481 SPECIFICATION.
- △ 10. PART NUMBER, NOT UL RECOGNIZED

COLOR CODE	DIM	D	WIRE SIZE	POSN	COLOR	PART NUMBER
RED	17.70	24 AWG	4	NATURAL	3-2106003-4	
	13.70	24 AWG	3	NATURAL	3-2106003-3	
	9.70	24 AWG	2	NATURAL	3-2106003-2	
	5.70	24 AWG	1	NATURAL	3-2106003-1	
GREEN	17.70	22 AWG	4	NATURAL	2-2106003-4	
	13.70	22 AWG	3	NATURAL	2-2106003-3	
	9.70	22 AWG	2	NATURAL	2-2106003-2	
BLUE	17.70	20 AWG	4	NATURAL	1-2106003-4	
	13.70	20 AWG	3	NATURAL	1-2106003-3	
	9.70	20 AWG	2	NATURAL	1-2106003-2	
YELLOW	17.70	18 AWG	4	NATURAL	2106003-4	
	13.70	18 AWG	3	NATURAL	2106003-3	
	9.70	18 AWG	2	NATURAL	2106003-2	
	5.70	18 AWG	1	NATURAL	2106003-1	

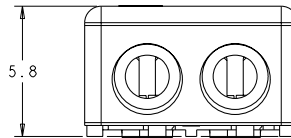
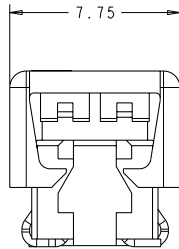
DIMENSIONS: mm 	TO BE USED IN CONJUNCTION WITH THE FOLLOWING SPECIFICATIONS: 0 PLC #0.5 1 PLC #0.13 2 PLC #0.13 3 PLC #0.13 4 PLC #0.13 ANGLES #0.13 FINISH #0.13	DATE: 09DEC2008 BY: J DRYER APPV:	Tyco Electronics Harrisburg, PA 17105-3608
PRODUCT SPEC: 108-2404 APPLICATION SPEC: 114-13266		NAME: ASSEMBLY, IDC SSL CONNECTOR, SMT, CLOSED END CASE CODE: A200779 DRAWING NO: 2106003	
MATERIAL: △ FINISH: △		WEIGHT: - CUSTOMER DRAWING: - SCALE: 2:1 SHEET 1 OF 4 REV A	

THIS DRAWING IS UNPUBLISHED. RELEASED FOR PUBLICATION  
 BY TYCO ELECTRONICS CORPORATION. ALL RIGHTS RESERVED.  
 COPYRIGHT 20

LOC	DIST	REVISIONS					
CM	00	P	LYR	DESCRIPTION	DATE	BY	APVS
		-		SEE SHEET 1	-	-	-



2 POSITION  
SHOWN AS SHIPPED

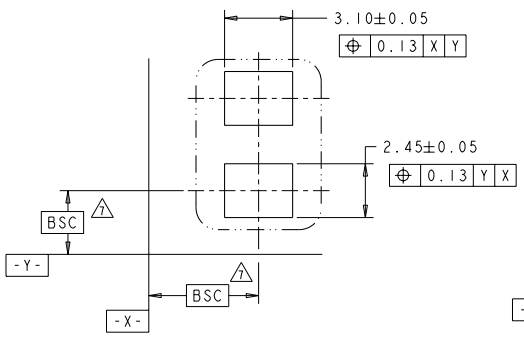


2 POSITION  
SHOWN CLOSED  
SCALE 8:1

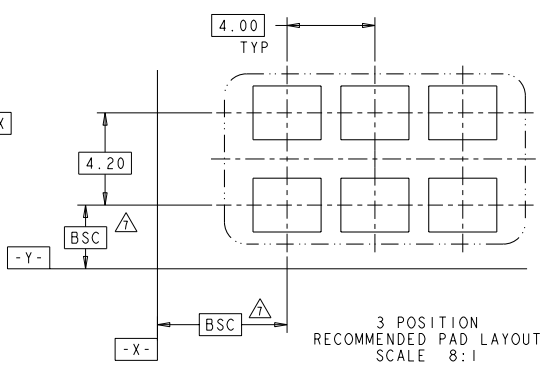
<small>THIS DRAWING IS UNPUBLISHED. RELEASED FOR PUBLICATION BY TYCO ELECTRONICS CORPORATION. ALL RIGHTS RESERVED. COPYRIGHT 20</small>		DWN 09DEC2008 C DAILY 09DEC2008 CM BYR 09DEC2008	Tyco Electronics Harrisburg, PA 17105-3608
DIMENSIONS: mm	TOLERANCES UNLESS OTHERWISE SPECIFIED: 0 PLC ±.5 1 PLC ±0.5 2 PLC ±0.13 3 PLC ±.1 4 PLC ±.1 ANGLES ±.1	APPO PRODUCT SPEC 108-2404 APPLICATION SPEC 114-13266	NAME ASSEMBLY, IDC SSL CONNECTOR, SMT, CLOSED END
MATERIAL	FINISH	WEIGHT	SHEET CASE CODE DRAWING NO A200779 ©-2106003
CUSTOMER DRAWING		SCALE 2:1	RESTRICTED TO SHEET 2 OF 4 REV A

AMP 1471-9 REV 31MAR2000

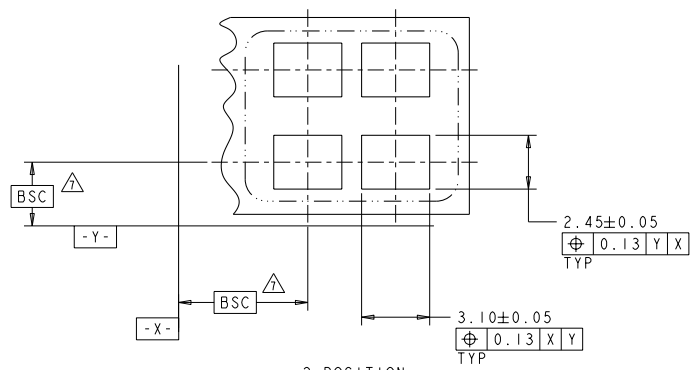
REV	DATE	BY	APPROV
1			
2			
3			
4			



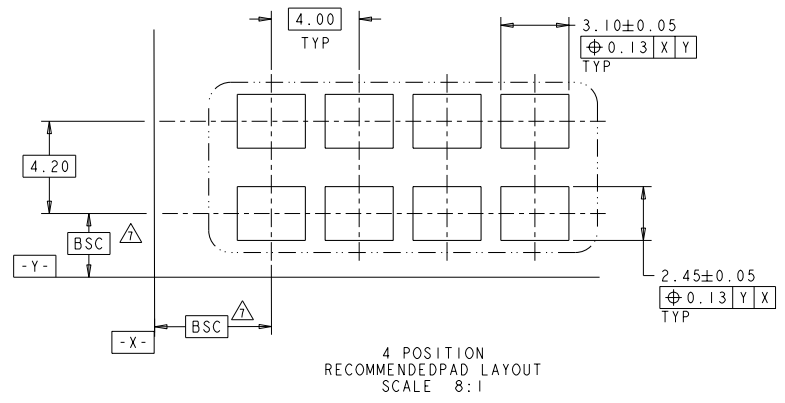
1 POSITION  
 RECOMMENDED PAD LAYOUT  
 SCALE 8:1



3 POSITION  
 RECOMMENDED PAD LAYOUT  
 SCALE 8:1



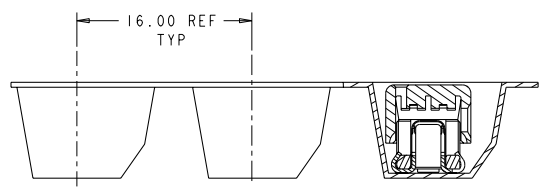
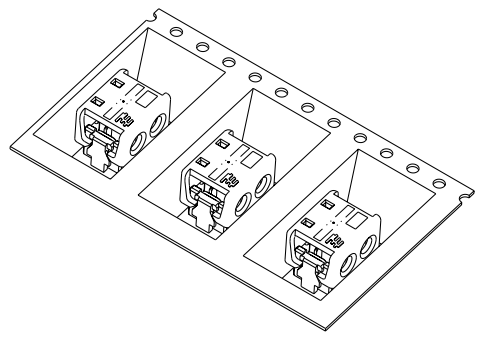
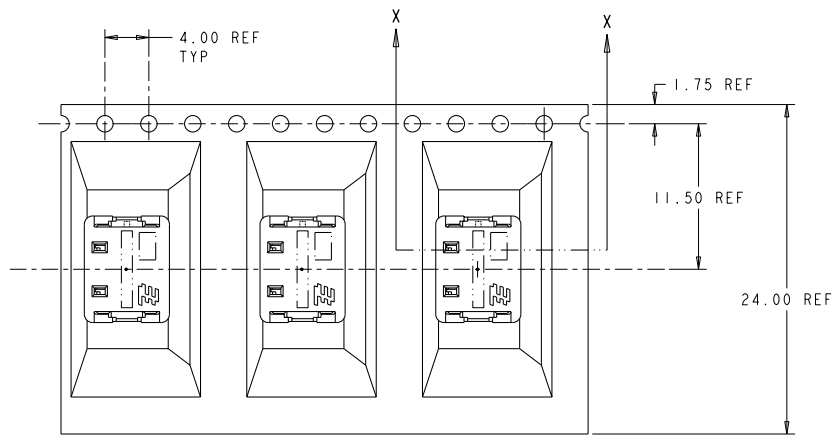
2 POSITION  
 RECOMMENDED PAD LAYOUT  
 SCALE 8:1



4 POSITION  
 RECOMMENDED PAD LAYOUT  
 SCALE 8:1

DIMENSIONS: mm TO BRACKET ONLY OPERATIVE SPECIFICS		DATE: 09DEC2008 BY: C DAILY CHK: J DYER APPR:	Tyco Electronics Harrisburg, PA 17105-3608
0 PLC # 1 PLC #0.5 2 PLC #0.13 3 PLC # 4 PLC # ANGLE # FINISH #	PRODUCT SPEC: 108-2404 APPLICATION SPEC: 114-13266 WEIGHT:	NAME: ASSEMBLY: IDC SSL CONNECTOR, SMT, CLOSED END	SHEET: A200779 CASE CODE: C=2106003 DRAWING NO:
MATERIAL:		CUSTOMER DRAWING	RESTRICTED TO: SCALE: 2:1 SHEET: 3 OF 4 REV: A

LOC	DISP	REVISIONS			
P	LYN	DESCRIPTION	DATE	BY	APVS
-	-	SEE SHEET 1	-	-	-



SECTION X-X

2106003-2 SHOWN IN POCKET TAPE

DIMENSIONS: mm		TOLERANCES UNLESS OTHERWISE SPECIFIED: DECIMALS ANGLES		DWG C DAILY 09DEC2008	Tyco Electronics Harrisburg, PA 17105-3608
0 PLC ±.5 1 PLC ±0.5 2 PLC ±0.13 3 PLC ±. 4 PLC ±. ANGLES ±. FINISH		PRODUCT SPEC 108-2404 APPLICATION SPEC 114-13266		NAME J DYER 09DEC2008	ASSEMBLY, IDC SSL CONNECTOR, SMT, CLOSED END
MATERIAL		WEIGHT CUSTOMER DRAWING		SHEET CASE CODE DRAWING NO A200779 ©-2106003	RESTRICTED TO
SCALE 4:1				SHEET 4 OF 4	REV A