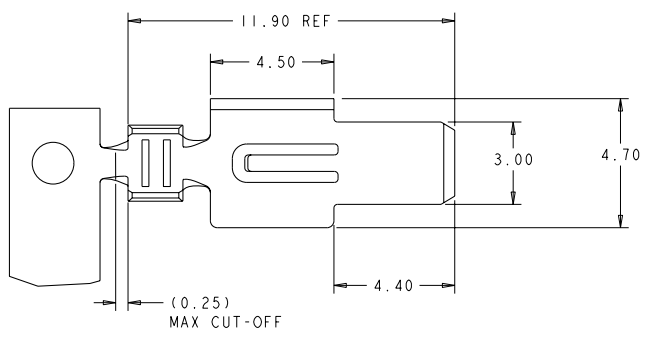
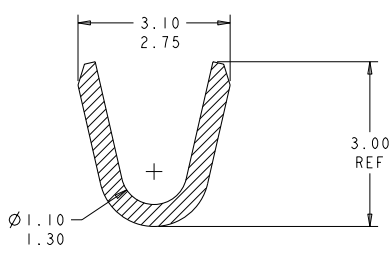
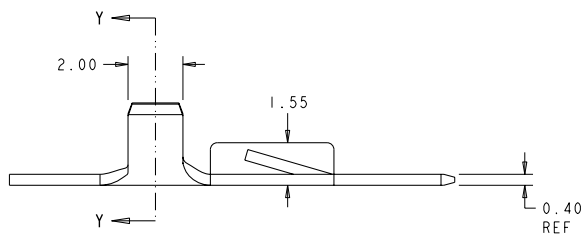


THIS DRAWING IS UNPUBLISHED. RELEASED FOR PUBLICATION BY TYCO ELECTRONICS CORPORATION. ALL RIGHTS RESERVED. COPYRIGHT 20

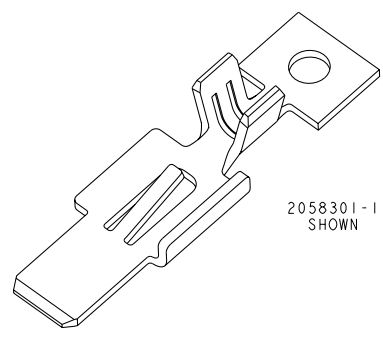
REVISIONS			
P	LY	DESCRIPTION	DATE
A1		REVISED PER ECR-09-010783	13MAY2009



- NOTES:
- 1. MATERIALS AND FINISH:  
- COPPER ALLOY, FINISH: TIN
  - 2. MUST COMPLY WITH DIRECTIVE 2002/95/EC (ROHS)
  - 3. THIS PRODUCT HAS NOT COMPLETED VALIDATION TESTING
  - 4. WIRE RANGE : 18-22 AWG, STRANDED
  - 5. MAX INSULATION DIA: 2.03
  - 6. RECOMMENDED TE HOUSING P/N X-2058299-X



SECTION Y-Y  
SCALE 20:1



LOOSE PIECE	2058301-2
ON STRIP	2058301-1
REMARKS	PART NO.

<small>THE DIMENSIONS CONTAINED HEREIN ARE THE PROPERTY OF TYCO ELECTRONICS CORPORATION AND ARE NOT TO BE REPRODUCED OR TRANSMITTED IN ANY FORM OR BY ANY MEANS, ELECTRONIC OR MECHANICAL, INCLUDING PHOTOCOPYING, RECORDING, OR BY ANY INFORMATION STORAGE AND RETRIEVAL SYSTEM.</small>		DWG: S. FISHER 07MAY2008 CDR: R. NARANG 07MAY2008	Tyco Electronics Harrisburg, PA 17105-3608
DIMENSIONS: mm	TOLERANCES UNLESS OTHERWISE SPECIFIED: 0 PLC ±0.2 1 PLC ±0.13 2 PLC ±0.13 3 PLC ±0.13 4 PLC ±0.13 ANGLES ±0.5	PRODUCT SPEC: 108-2387 APPLICATION SPEC: 114-13252	NAME: BLADE CONTACT WIRE TO BOARD CONNECTOR SIZE: A2 CASE CODE: 00779 DRAWING NO: C-2058301
MATERIAL:	FINISH:	WEIGHT: -	RESTRICTED TO: -
CUSTOMER DRAWING		SCALE: 10:1	SHEET 1 OF 1 REV A.1