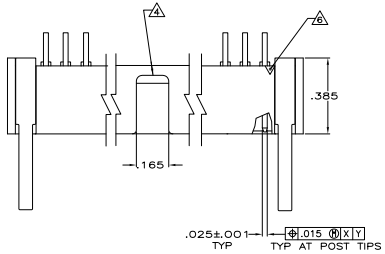
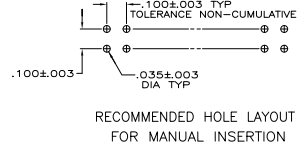
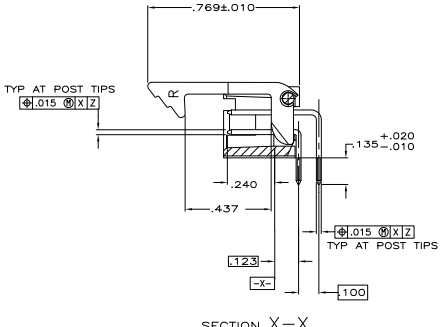
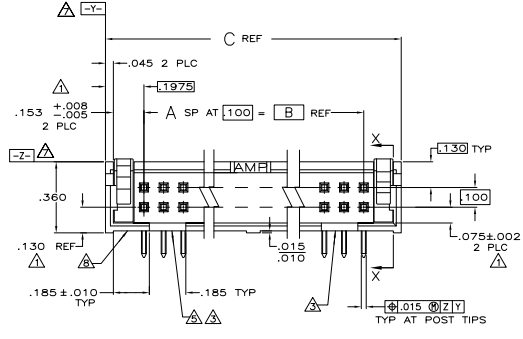


REV	DATE	DESCRIPTION	BY	APP
GP 00				
M	REVISED PER ECO-08-02030		10AANDORZ	ZMR/SLB
M1	REVISED PER ECO-09-021826		OBANNIG	KK/AEG



- △ THE NOTED DIMENSIONS APPLY AT THE INTERSECTION OF THE POST AND HOUSING
- △ GOLD FLASH OVER PALLADIUM-NICKEL PLATE, .000030 MIN TOTAL ON THE MATING SURFACES, .000100 MIN TIN-LEAD PLATE ON THE SOLDER-TAIL, .000050 MIN NICKEL UNDERPLATE ON THE ENTIRE POST. OR .000030 MIN GOLD PLATE ON THE MATING SURFACES, .000100 MIN TIN-LEAD PLATE ON THE SOLDER-TAIL, .000050 MIN NICKEL UNDERPLATE ON THE ENTIRE POST.
- △ DOUBLE BAR POLARIZATION
- △ CENTER POLARIZATION SLOT
- △ FOR 10 POSN ASSEMBLY, SLOT OMITTED WHERE INDICATED
- △ NUMBER 1 POSITION INDICATOR.
- △ DATUMS [-Y-] AND [-Z-] APPLY AT THE BASE OF THE SHROUD WALL.
- △ OPTIONAL AMP IDENTIFICATION NUMBER (DATE CODE). LOCATION APPROXIMATELY WHERE SHOWN.
- △ MATERIAL: HOUSING: GLASS FILLED NYLON, FLAME RETARDANT, BLACK. POSTS: BRASS.
- △ OBSOLETE PARTS: OBSOLETE CIS STREAMLINING PER D.RENAUD/D.SINISI



△ SUPERSEDED BY 1-1781609-4	3.300	2.900	29	60	1-104315-0
	2.800	2.400	24	50	104315-9
OBSOLETE	2.500	2.100	21	44	104315-8
	2.300	1.900	19	40	104315-7
	2.000	1.600	16	34	104315-6
SUPERSEDED BY 1781609-9	1.600	1.200	12	26	104315-5
SUPERSEDED BY 1781609-7	1.300	.900	9	20	104315-4
△ SUPERSEDED BY 1781609-6	1.100	.700	7	16	104315-3
SUPERSEDED BY 1781609-5	1.000	.600	6	14	104315-2
SUPERSEDED BY 1781609-3	.800	.400	4	10	104315-1

	C	B	A	NO OF POSN	ASSEMBLY PART NUMBER
THIS DRAWING IS A CONTROLLED DOCUMENT.					
DESIGNED BY					
ENGINEER					
DATE					
PROJECT NAME					
108-40018					
DATE					
SIZE					
A1					
000779					
104315					
CUSTOMER DRAWING					
DATE					
4-1					
1					
M1					