

4

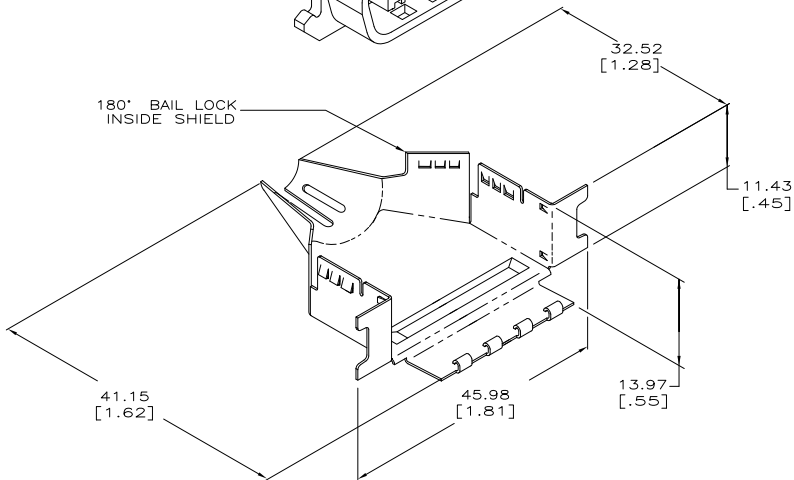
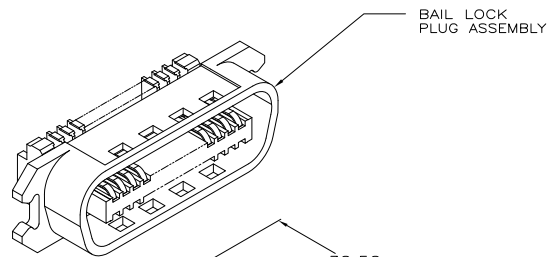
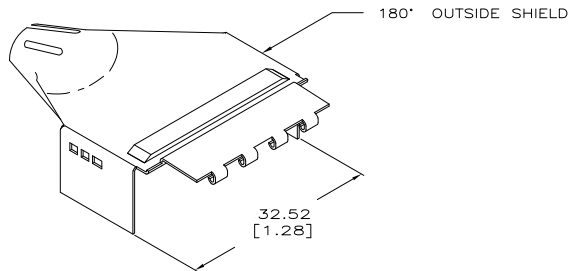
3

2

1

THIS DRAWING IS UNPUBLISHED. RELEASED FOR PUBLICATION  
 BY TYCO ELECTRONICS CORPORATION. ALL RIGHTS RESERVED.

LOC	DIST	REVISIONS			
F	LNK	DESCRIPTION	DATE	BY	APPD
GP	00				
	G	REVISED PER ECO-08-007327	05SEP08	BM	WM



1. THIS KIT SHIPPED NOT ASSEMBLED.

⚠ MATERIAL: SHIELDS - BRIGHT NICKEL PLATED CARBON STEEL.  
 PLUG HOUSING - POLYPHENYLENE OXIDE, BLACK.  
 TERMINAL - HIGH STRENGTH COPPER ALLOY PLATED WITH 0.76μm [.000030] MIN GOLD OR GOLD FLASH OVER PALLADIUM NICKEL PLATE, 0.76μm [.000030] MIN TOTAL ON MATING SURFACE. 1.27μm [.000050] MIN NICKEL UNDERPLATE OVER ENTIRE TERMINAL.

⚠ WIRE SIZE: 24 OR 26 AWG SOLID OR 24 AWG STRANDED COPPER CONDUCTORS. MAXIMUM INSULATION DIAMETER OF 1.14 [.045] IS ACCEPTABLE FOR MOST APPLICATIONS.

4. CABLE RANGE: Ø6.35-12.7 [.250-.500].

5. CENTER-TO-CENTER SPACING OF TERMINALS 2.16 [.085] NOMINAL.

⚠ WIRE SIZE: 26-27-28 AWG STRANDED COPPER CONDUCTORS. MAXIMUM INSULATION DIAMETER OF 1.14 [.045] IS ACCEPTABLE FOR MOST APPLICATIONS.

⚠ DIMENSIONS ARE MAXIMUM UNLESS OTHERWISE SPECIFIED.

⚠ OBSOLETE

POLY-BAG	B	⚠	554947-2
	E	⚠	554947-1
PACKAGED	SLOT SIZE	WIRE SIZE	PART NUMBER

DIMENSIONS:		TOLERANCES UNLESS OTHERWISE SPECIFIED:		TYPICAL TOLERANCES:		TYPICAL TOLERANCES:		TYPICAL TOLERANCES:	
mm	[INCHES]	mm	[INCHES]	mm	[INCHES]	mm	[INCHES]	mm	[INCHES]
0 PL	± .05	0 PL	± .05	0 PL	± .05	0 PL	± .05	0 PL	± .05
1 PL	± .05	1 PL	± .05	1 PL	± .05	1 PL	± .05	1 PL	± .05
2 PL	± .05	2 PL	± .05	2 PL	± .05	2 PL	± .05	2 PL	± .05
3 PL	± .05	3 PL	± .05	3 PL	± .05	3 PL	± .05	3 PL	± .05
4 PL	± .05	4 PL	± .05	4 PL	± .05	4 PL	± .05	4 PL	± .05
ANGLES	± .05	ANGLES	± .05	ANGLES	± .05	ANGLES	± .05	ANGLES	± .05
MATERIAL	⚠	FINISH	⚠	APPLICATION SPEC	---	SIZE	---	DATE CODE	---
CUSTOMER DRAWING		DRAWING NO. A2 00779		C=554947		SCALE		2:1	

Tyco Electronics Corporation		Harrisburg, PA 17105-3608	
PLUG KIT, 24 POSITION, BAIL LOCK, SHIELDED, CHAMP LOK			

RESTRICTED TO	---
SCALE	2:1
SHEET	1 of 1
REV	G

AMP 1471-9 REV 31MM2000

554947

A