

DRAWING MADE IN THIRD ANGLE PROJECTION

3

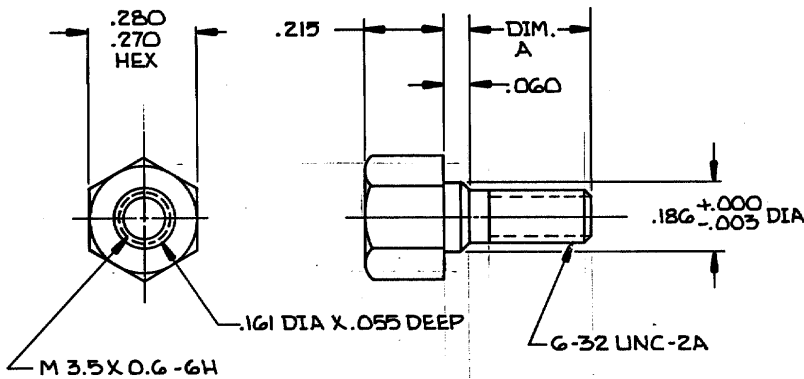
2

1 LOC AA DIST 20

THIS DRAWING IS UNPUBLISHED. RELEASED FOR PUBLICATION

© COPYRIGHT

REVISIONS						
P	F	ZONE	LTR	DESCRIPTION	DATE	APPROVED
✓		A1		REVISED PER ECO-11-005294	12APR11	HMR



1. ALL DIMENSIONS SHOWN ARE MAXIMUM UNLESS OTHERWISE SPECIFIED.
2. MATERIAL: BLACK OXIDE COATED CARBON STEEL.
3. PARTS COATED WITH AMP APPROVED CORROSION PREVENTATIVE.
4. PACKAGED 10,000 PER BOX.
5. PACKAGED 500 STANDOFFS PER BAG.

5	.320	554043-3
4	.205	554043-2
	.320	554043-1
PACKAGED	DIM. A	PART NO

UNLESS OTHERWISE SPECIFIED DIMENSIONS ARE IN INCHES. TOLERANCES ON: DECIMALS ± .005 ANGLES ± .5	CONTRACT NO	TE Connectivity	
	DR: <i>DB</i> 5-17-88 CHK: <i>CR</i> 6/3/88 MATERIAL: <i>CR</i> APPD: <i>Q.T.</i> 6/3/88 ORGN APPD: <i>(RT)</i> 6-3-88 OTHER APPD:		
MATERIAL: <i>2</i>	SIZE	FSCM NO	DRAWING NO
FINISH: <i>2</i>	B	00779	554043
	SCALE 4:1		SHEET 1 OF 1

CUSTOMER DRAWING