

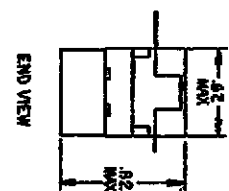
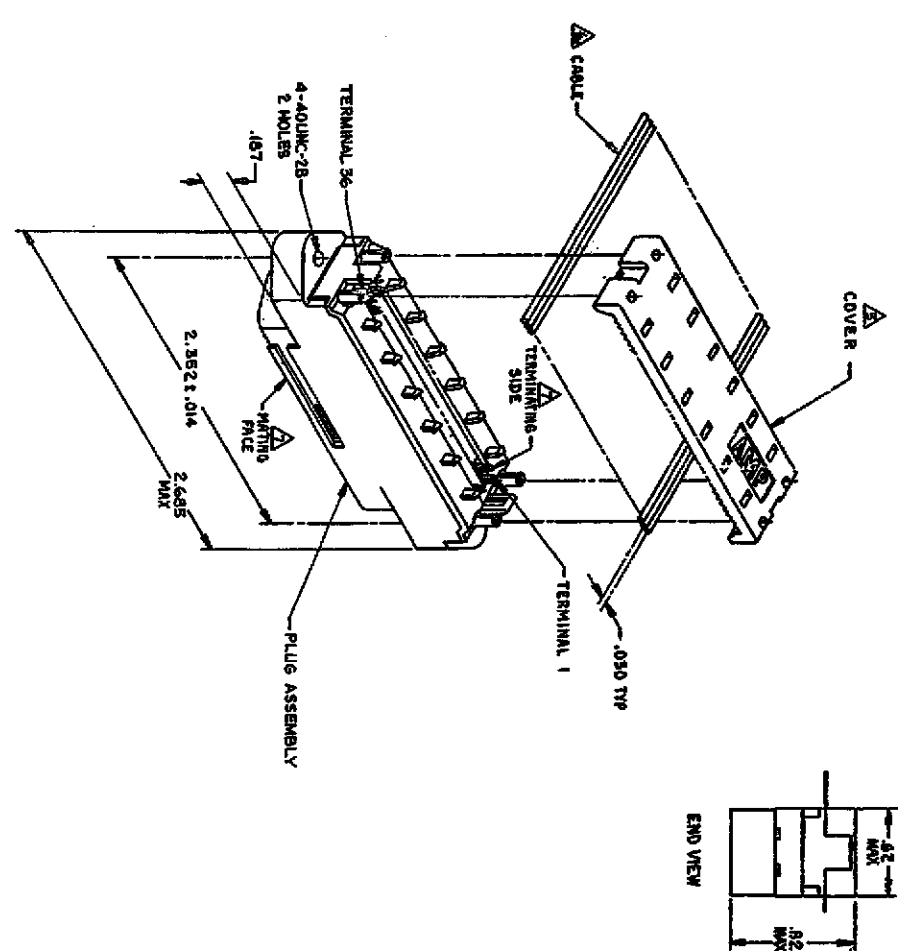
4

3

2

1

REV. NO.		DATE		BY	
GP	00				
H		12/28/83	12/28/83	BM	WM



1. THE CONTACT SURFACES OF THE TERMINALS ARE COATED WITH LUBRICANT.
2. MATERIAL: HOUSING & COVER - THERMOPLASTIC, BLACK. TERMINALS - PHOS BRONZE PLATED WITH EITHER .000030 MINIMUM GOLD PLATE OR GOLD FLASH OVER PALLADIUM NICKEL PLATE, .000030 MIN TOTAL ON MATING SURFACE. GOLD FLASH PLATED ON TERMINATING SIDE. .000050 MINIMUM NICKEL UNDERPLATE OVER ENTIRE TERMINAL.
3. COVER SHOWN LOOSE BUT SHIPPED ASSEMBLED.
4. WIRE RANGE: 26 AWG SOLID THRU 30 AWG SOLID AND 2B AWG STRANDED RIBBON CABLE.
5. ALL DIMENSIONS SHOWN ARE FOR REFERENCE ONLY UNLESS OTHERWISE SPECIFIED.
6. FLAT CABLE SHALL BE FURNISHED BY CUSTOMER.
7. MATING FACE CONSISTS OF TWO ROWS OF TERMINALS ON .085 CENTERS, TERMINATING SIDE CONSISTS OF TERMINALS ON .100 CENTERS FOR AN EFFECTIVE .050 TERMINATION.
8. FOR MORE INFORMATION REFER TO AMP PRODUCT SPECIFICATION 108-8076 & APPLICATION SPEC 114-6030.

THIS DRAWING IS A CONTROLLED DOCUMENT		FORM 1504/07		FORM 1504/07	
DIMENSIONS IN INCHES		DATE		DATE	
ORANGE STRIPES		10/24/07		10/24/07	
RED STRIPES		10/24/07		10/24/07	
GREEN STRIPES		10/24/07		10/24/07	
BLUE STRIPES		10/24/07		10/24/07	
BLACK STRIPES		10/24/07		10/24/07	
WHITE STRIPES		10/24/07		10/24/07	
APPLICATION SPEC		A2100779		553600	
CUSTOMER DRAWING		SCALE 2:1		SHEET 1 OF 1	
AS SHOWN		553600-1		DESCRIPTION PART NUMBER	
Z. REVAL		Yeo Electronics Corporation		1700-9999	
W. MILLIEMES		1700-9999		1700-9999	
PLUG ASSEMBLY, 36 POSITION		SCREEN CLAMP LATCH		DRAWING NO.	