

4

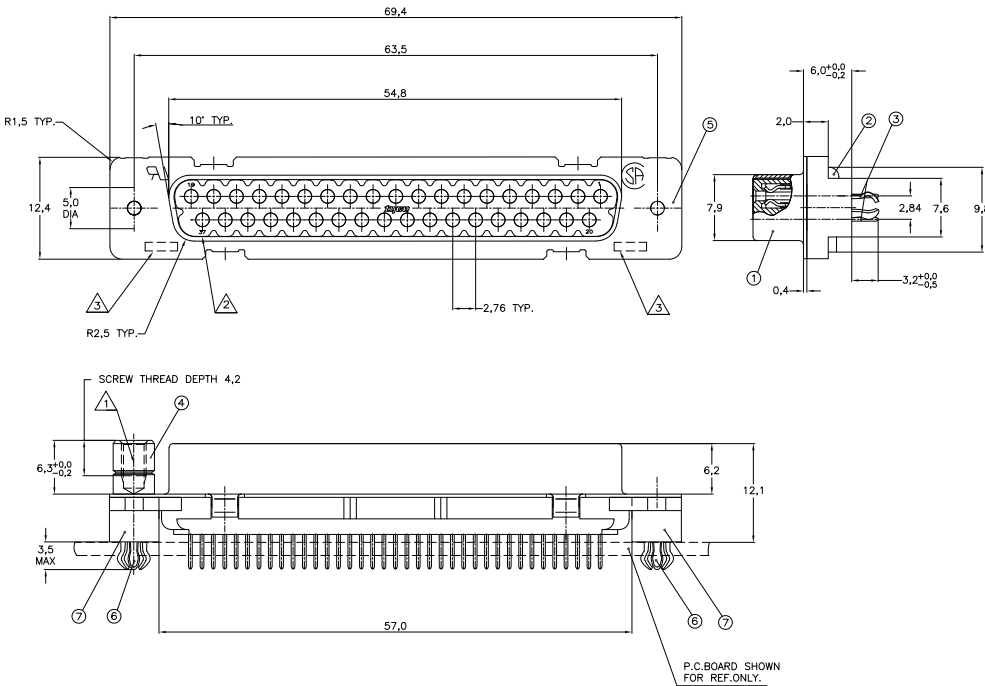
3

2

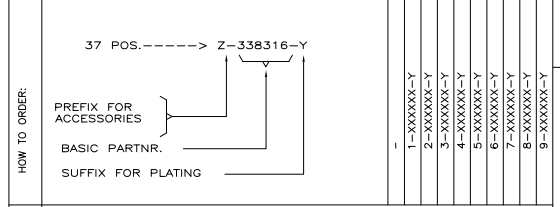
1

THIS DRAWING IS UNPUBLISHED. RELEASED FOR PUBLICATION
 © COPYRIGHT - By - ALL RIGHTS RESERVED.

LOC	DIST	REVISIONS				
H	-	F	LR	DATE	MIN	APD
		F1		REVISED PER ECO-11-005294	02APR11	RIK HMR



ITEM NO.	DESCRIPTION OF ACCESSORY	QTY	UNIT
5	BUSHING WITH THROUGH-HOLE 3,1 DIA.	2	2
5	BUSHING WITH THREAD 4-40 UNC	2	2
5	BUSHING WITH THREAD M3	2	2
4	FEMALE SCREWLOCK WITH THREAD 4-40 UNC	2	2
4	FEMALE SCREWLOCK WITH THREAD M3	2	2
6	BOARDLOCK	2	2

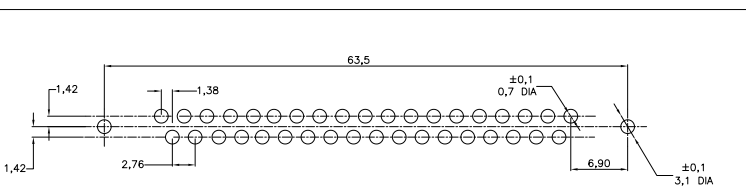


PLATING SUFFIX Y	DESCRIPTION
-Y = -2	GOLD OVER NICKEL AS PER PERFORMANCE LEVEL 2 (DIN 41652)
-Y = -2	SOLDER-PART :TIN-PLATING 3µm.

- ⚠ GROOVE INDICATES VERSION WITH 4-40 UNC INNER THREAD; WITHOUT GROOVE INDICATES VERSION WITH M3 INNER THREAD.
- ⚠ CAVITY IDENTIFICATION AT FRONT SIDE ONLY.
- ⚠ PARTNUMBER AND DATE CODE.
- 4. WHEN BOARDLOCKS ARE USED, CONNECTOR CAN BE USED FOR PCB THICKNESS OF 1,6 mm ONLY.
- 5. AIR AND CREEPAGE DISTANCES ACCORDING TO DIN 41652

- ITEM NRS./MATERIAL :
- ① SHELL = BRIGHT TINPLATED STEEL
 - ② HOUSING = GLASSFILLED POLYESTER, COLOR : BLACK
 - ③ CONTACTS = PHOSPHORBRONZE (PLATING : SEE TABLE ABOVE)
 - ④ FEMALE SCREWLOCK = TINPLATED STEEL (INNER THREAD 4-40 UNC OR M3)
 - ⑤ BUSHING = TINPLATED STEEL (INNER THREAD 4-40 UNC OR M3 OR 3,1 DIA. THROUGH-HOLE)
 - ⑥ BOARDLOCK = TINPLATED PHOSPHORBRONZE
 - ⑦ STAND OFF = ULTRAMID VO COLOR : BLACK

RECOMMENDED P.C. BOARD HOLE-LAYOUT



THIS DRAWING IS A CONTROLLED DOCUMENT.		DIN	J. LIEMPT	01.04.07	TE Connectivity			
		CHK	C. SOUSA	09SEP97				
		APP	F. LEVENS	09SEP97	HDP-20 SIZE 4 VERTICAL+ RECEPTACLE HEADER; WITH SOLDER CONTACTS			
		PRODUCT SPEC						
		APPLICATION SPEC			SIZE	CAGE CODE	DRAWING NO	RESTRICTED TO
		WEIGHT			A2	00779	C=338316	
MATERIAL		FINISH			CUSTOMER DRAWING		SCALE	NTS
							SHEET	1 of 1
							REV	F1

1471-9 (3/11)

338316

A