

4

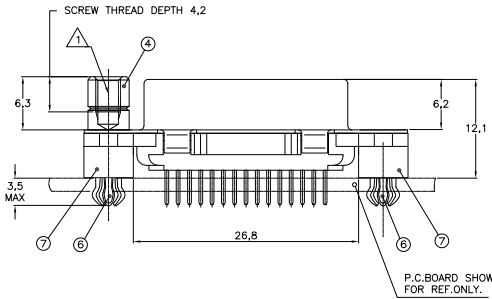
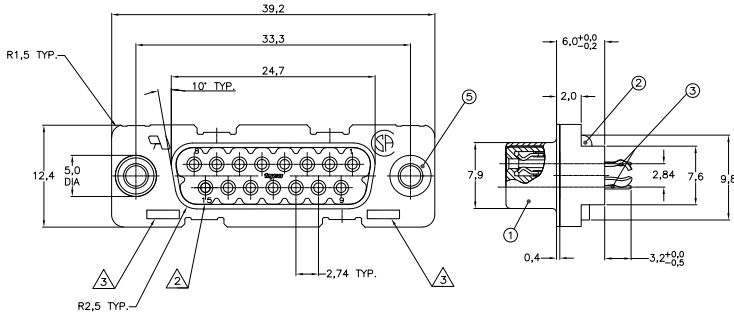
3

2

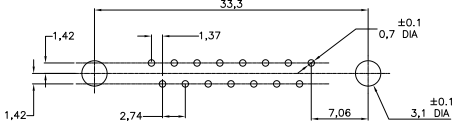
1

THIS DRAWING IS UNPUBLISHED. RELEASED FOR PUBLICATION. ALL RIGHTS RESERVED.

LOC	DIST	REVISIONS			
F	LNK	DESCRIPTION	DATE	BY	APP
H	-	REVISED PER ECO-11-005294	02APR11	RIK	HMR



RECOMMENDED P.C. BOARD HOLE-LAYOUT



ACCESSORIES PREFIX	DESCRIPTION	1	2	3	4	5	6	7	8	9
5	BUSHING WITH THROUGH-HOLE 3,1 DIA.									
5	BUSHING WITH THREAD 4-40 UNC									
5	BUSHING WITH THREAD M3									
4	FEMALE SCREWLOCK WITH THREAD 4-40 UNC									
4	FEMALE SCREWLOCK WITH THREAD M3									
6	BOARDLOCK									

HOW TO ORDER:	DESCRIPTION OF ACCESSORY
15 POS. -----> Z-338314-Y	
PREFIX FOR ACCESSORIES	1-XXXXX-Y 2-XXXXX-Y 3-XXXXX-Y 4-XXXXX-Y 5-XXXXX-Y 6-XXXXX-Y 7-XXXXX-Y 8-XXXXX-Y 9-XXXXX-Y
BASIC PARTNR.	
SUFFIX FOR PLATING	

PLATING SUFFIX	DESCRIPTION
	GOLD OVER NICKEL AS PER PERFORMANCE LEVEL 2 (DIN 41652)
	SOLDER-PART : TIN-PLATING 3µm } -Y = -2

- △ GROOVE INDICATES VERSION WITH 4-40 UNC INNER THREAD; WITHOUT GROOVE INDICATES VERSION WITH M3 INNER THREAD.
- △ CAVITY IDENTIFICATION AT FRONT SIDE ONLY.
- △ PARTNUMBER AND DATE CODE.
- 4. WHEN BOARDLOCKS ARE USED, CONNECTOR CAN BE USED FOR PCB THICKNESS OF 1,6 mm ONLY.
- 5. AIR AND CREEPAGE DISTANCES ACCORDING TO DIN 41652

- ITEM NRS./MATERIAL :
- ① SHELL = BRIGHT TINPLATED STEEL
 - ② HOUSING = GLASSFILLED POLYESTER, COLOR : BLACK
 - ③ CONTACTS = PHOSPHORBRONZE (PLATING : SEE TABLE ABOVE)
 - ④ FEMALE SCREWLOCK = TINPLATED STEEL (INNER THREAD 4-40 UNC OR M3)
 - ⑤ BUSHING = TINPLATED STEEL (INNER THREAD 4-40 UNC OR M3 OR 3,1 DIA. THROUGH-HOLE)
 - ⑥ BOARDLOCK = TINPLATED PHOSPHORBRONZE
 - ⑦ STAND OFF = ULTRAMID VO COLOR : BLACK

THIS DRAWING IS A CONTROLLED DOCUMENT.		DRN	J. LIEMPT	01JUL97	TE TE Connectivity
DIMENSIONS: mm		CHK	C. SOUSA	09SEP97	
TOLERANCES UNLESS OTHERWISE SPECIFIED:		APP	F. LEVENS		HDP-20 SIZE 2 VERTICAL++ RECEPTACLE HEADER; WITH SOLDER CONTACTS
0 P.L.C. ±		PRODUCT SPEC.			
1 P.L.C. ±		APPLICATION SPEC.			
2 P.L.C. ±		WEIGHT			
3 P.L.C. ±					SIZE CASE CODE DRAWING NO. RESTRICTED TO
4 P.L.C. ±					A2 00779 C=338314
ANGLES ±					CUSTOMER DRAWING SCALE NTS SHEET 1 of 1 REV F1