

4

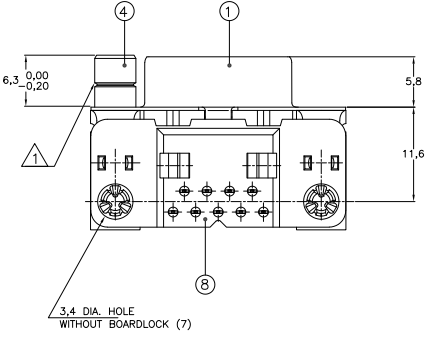
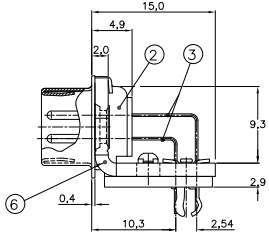
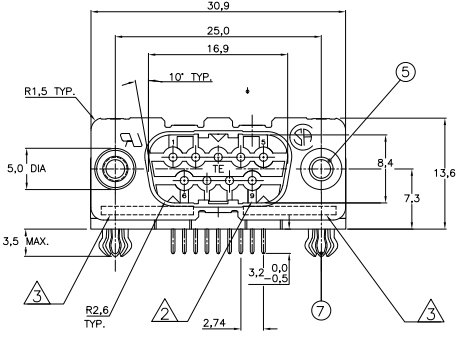
3

2

1

THIS DRAWING IS UNPUBLISHED. RELEASED FOR PUBLICATION
 © COPYRIGHT - By - ALL RIGHTS RESERVED.

LOC	DIST	REVISIONS			
F	LNR	DESCRIPTION	DATE	OWN	APP
C2		REVISED PER ECO-11-005294	05APR11	RIK	HMR

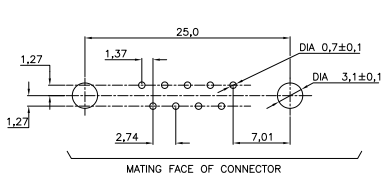


ACCESSORIES PREFIX	ITEM NR.	DESCRIPTION OF ACCESSORY	2	2	2	2	2	2	2
	5	3,1 DIA. INSERT							
	5	INSERT WITH INNER THREAD 4-40 UNC							
	5	INSERT WITH INNER THREAD M3							
	4	FEMALE SCREWLOCK WITH 4-40 UNC							
	4	FEMALE SCREWLOCK WITH M3							
	7	BOARDLOCK							

PLATING SUFFIX	DESCRIPTION
	GOLD OVER NICKEL AS PER PERFORMANCE LEVEL 2 (DIN 41652)
	SOLDERPART :2,5µm TIN OVER NICKEL
	-Y = -2

- 1 GROOVE INDICATES VERSION WITH 4-40 UNC INNER THREAD; WITHOUT GROOVE INDICATES VERSION WITH M3 INNER THREAD.
 - 2 CAVITY IDENTIFICATION AT FRONT SIDE ONLY.
 - 3 PARTNUMBER AND DATE CODE.
 - 4 SHELL HAS 2x2 GROUNDING SPRINGS; PITCH IS 3,6 mm
 - 5 AIR AND CREEPAGE DISTANCES ACCORDING TO DIN 41652
- ITEM NRS./MATERIAL :
- 1 SHELL : BRIGHT TINPLATED STEEL
 - 2 HOUSING : GLASSFILLED POLYESTER, COLOR : BLACK
 - 3 CONTACTS : PH.BRONZE (PLATING : SEE TABLE ABOVE)
 - 4 FEMALE SCREWLOCK : TINPLATED STEEL (INNER THREAD 4-40 UNC OR M3)
 - 5 INSERT : TINPLATED STEEL (INNER THREAD 4-40 UNC OR M3 OR 3,1 DIA THRU-HOLE)
 - 6 BRACKET : TINPLATED STEEL
 - 7 BOARDLOCK : TINPLATED PHOSPHORBRONZE
 - 8 POSTALIGNMENT PLATE : GLASSFILLED NYLON. COLOR : BLACK

RECOMMENDED P.C. BOARD HOLE-LAYOUT



THIS DRAWING IS A CONTROLLED DOCUMENT.		DRN D. KESSLER 18 JAN 99	TE Connectivity
DIMENSIONS: mm		CHK W. SOOMERS	
TOLERANCES UNLESS OTHERWISE SPECIFIED:		APPD	NAME
0 P.L.C.	±	PRODUCT SPEC	
1 P.L.C.	±	APPLICATION SPEC	
2 P.L.C.	±	WEIGHT	
3 P.L.C.	±	CUSTOMER DRAWING	
4 P.L.C.	±		
ANGLES	±		
FINISH			

SIZE	HD-20 SIZE 1	RESTRICTED TO
CASE CODE	RIGHT ANGLE PLUG HEADER; MARK II+	
DRAWING NO	A2 00779	
SCALE	NTS	
SHEET	1 of 1	
REV	C2	