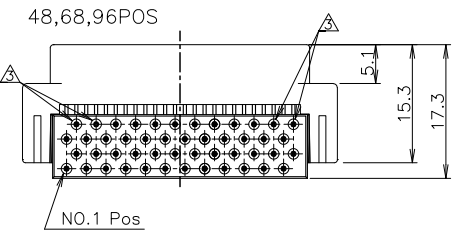
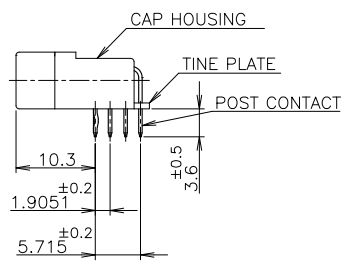
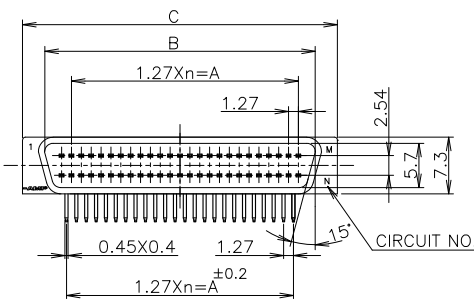
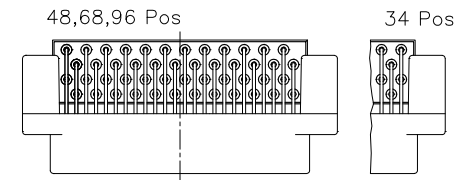
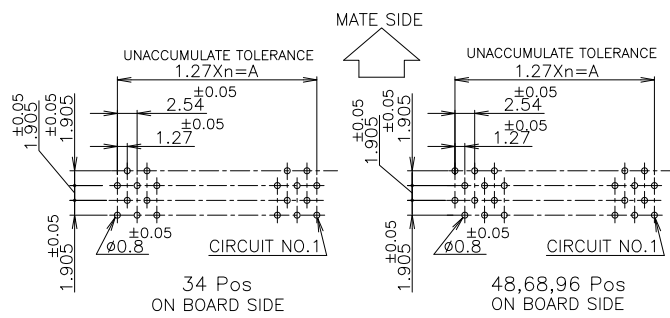


THIS DRAWING IS UNPUBLISHED. RELEASED FOR PUBLICATION DEC. 1987.  
 © COPYRIGHT 1987 BY TYCO ELECTRONICS CORPORATION. ALL RIGHTS RESERVED.

LOC	DIST	REVISIONS			
P	LTR	DESCRIPTION	DATE	DWN	APVD
B1		REVISED PER ECO-10-000443	16JAN10	KK	AEG



△ MATERIAL AND FINISH  
 CAP HOUSING AND TINE PLATE  
 ; THERMOPLASTIC (UL94V-0) COLOR:BLACK  
 POST CONTACT  
 ; PHOS-BRONZE FINISH, OVER NICKEL  
 MATING END: 0.0002 MIN. OR  
 0.00076 MIN. GOLD  
 TERMINATION END: TIN  
 OVER SEALING TREATMENT.  
 2 P.C.B. LAYOUT AND P.C.B. TREATMENT (REF.)  
 USE A P.C.B. SURFACE ARE TREATED WITH SOLDER RESIST.  
 △ KINK POSITIONS (4 POSITIONS).  
 △ OBSOLETE PARTS: OBSOLETE CIS STREAMLINING PER D.RENAUD/D.SINISI



REMARK	N	M	A	B	C	n	POS.	PART NO.
△ OBSOLETE	96	48	59.69	64.06	71.00	47	96	6-174684-8
△ OBSOLETE	68	34	41.91	46.28	53.22	33	68	6-174684-7
△ OBSOLETE	48	24	29.21	33.58	40.52	23	48	6-174684-6
△ OBSOLETE	34	17	20.32	24.69	31.63	16	34	6-174684-5
△ OBSOLETE	96	48	59.69	64.06	71.00	47	96	174684-8
△ OBSOLETE	68	34	41.91	46.28	53.22	33	68	174684-7
△ OBSOLETE	48	24	29.21	33.58	40.52	23	48	174684-6
△ OBSOLETE	34	17	20.32	24.69	31.63	16	34	174684-5

鉛フリー  
LEAD FREE

GENERAL TOLERANCE  
 一般公差  
 10 ≥ : ±0.2  
 30 ≥ > 10 : ±0.25  
 100 ≥ > 30 : ±0.3  
 ANGLES: ±3°

THIS DRAWING IS A CONTROLLED DOCUMENT.

DIMENSIONS: 単位: 寸 公差

TOLERANCES UNLESS OTHERWISE SPECIFIED: 一般公差

0 PLC ±  
 1 PLC ±  
 2 PLC ±  
 3 PLC ±  
 4 PLC ±  
 ANGLES ±

MATERIAL 材料

FINISH 仕上

DWN Y.SATO 23DEC87  
 CHK R.NISHIMURA 23DEC88  
 APVD T.DOI 23JAN88

NAME 名称  
 CAP ASSY HORIZONTAL (W/KINK)  
 AMPLIMITE .050 SERIES I B-TO-B CONN.

SIZE A3 CAGE CODE 00779 DRAWING NO 174684

CUSTOMER DRAWING SCALE 尺度 2:1 SHEET 1 OF 1 REV B1