

4

3

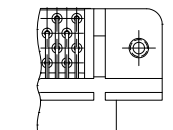
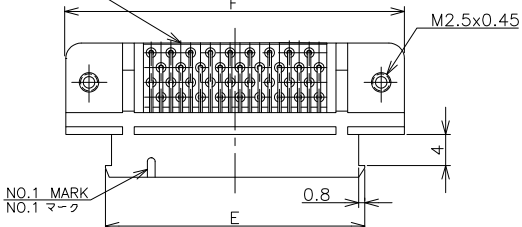
2

1

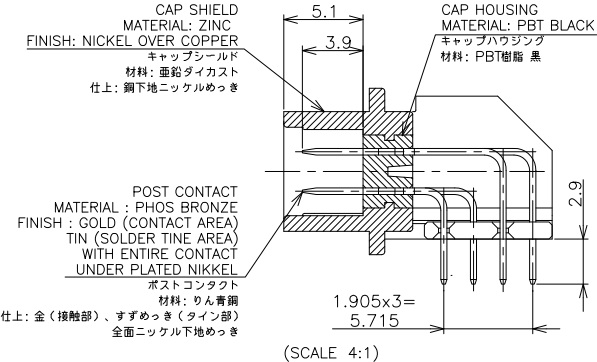
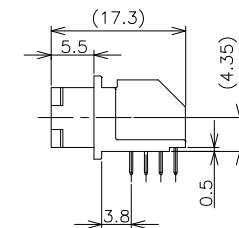
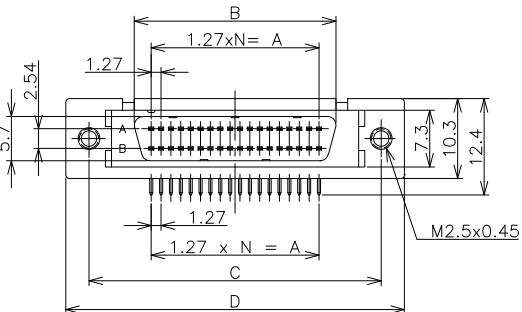
THIS DRAWING IS UNPUBLISHED. RELEASED FOR PUBLICATION FEB. 2003.
 COPYRIGHT 2003 By - ALL RIGHTS RESERVED.

LOC	DIST	REVISIONS			
P	LTR	DESCRIPTION	DATE	DWN	APVD
E1		REVISED PER ECO-11-005033	26MAR11	RK	HMR

TINE PLATE
 MATERIAL: PBT (BLACK)
 タインプレート
 材料: PBT樹脂(黒)



50 POS (-4) ONLY



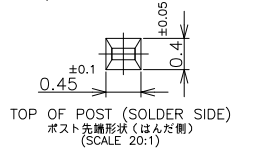
CAP SHIELD
 MATERIAL: ZINC
 FINISH: NICKEL OVER COPPER
 キャップシールド
 材料: 亜鉛ダイカスト
 仕上: 銅下地ニッケルめっき

CAP HOUSING
 MATERIAL: PBT BLACK
 キャップハウジング
 材料: PBT樹脂 黒

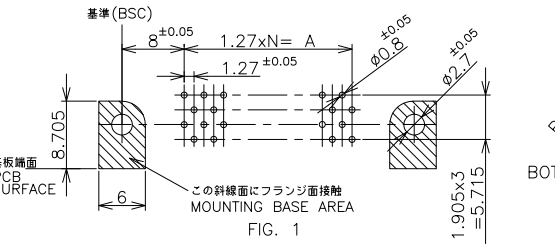
POST CONTACT
 MATERIAL: PHOS BRONZE
 FINISH: GOLD (CONTACT AREA)
 TIN (SOLDER TINE AREA)
 WITH ENTIRE CONTACT
 UNDER PLATED NIKKEL
 ポストコンタクト
 材料: リン青銅
 仕上: 金(接触部)、すずめっき(タイン部)
 全面ニッケル下地めっき

(SCALE 4:1)

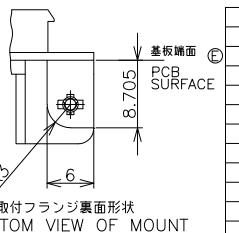
鉛フリー
 LEAD FREE



TOP OF POST (SOLDER SIDE)
 ポスト先端形状(はんだ側)
 (SCALE 20:1)



1 P.C BOARD HOLE LAY-OUT AS SHOWN FIG. 1
 2 USE SCREW SIZE ; M2.5 PAN-HEAD SCREW
 OBSOLETE PARTS: OBSOLETE CIS STREAMLINING PER D.RENAUD/D.SINISI
 OBSOLETE
 1 基板パターン寸法図はFIG. 1に示す通り。
 2 適用ねじ: M2.5なべ小ねじ



取付フランジ裏面形状
 BOTTOM VIEW OF MOUNT

POS	N	A	B	C	D	E	F	GOLD THK	PART NUMBER
96	47	59.69	64.06	75.7	81.7	71.49	75.7	0.00076 MIN	2-174225-6
68	33	41.91	46.28	57.9	63.9	53.71	57.9		2-174225-5
50	24	30.48	34.85	46.5	52.5	42.28	46.5		△2-174225-4
36	17	21.59	25.96	37.6	43.6	33.39	37.6		△2-174225-3
28	13	16.51	20.88	32.5	38.5	28.31	32.5		△2-174225-2
20	9	11.43	15.8	27.4	33.4	23.23	27.4		△2-174225-1
96	47	59.69	64.06	75.7	81.7	71.49	75.7	0.0002 MIN	174225-6
68	33	41.91	46.28	57.9	63.9	53.71	57.9		174225-5
50	24	30.48	34.85	46.5	52.5	42.28	46.5		174225-4
36	17	21.59	25.96	37.6	43.6	33.39	37.6		△174225-3
28	13	16.51	20.88	32.5	38.5	28.31	32.5		△174225-2
20	9	11.43	15.8	27.4	33.4	23.23	27.4		174225-1

THIS DRAWING IS A CONTROLLED DOCUMENT.

DWN: H.TAGUCHI 16DEC03
 CHK: T.FUTATSIGI 16DEC03
 APVD: H.KODAMA 16DEC03
 NAME: H.KODAMA
 PRODUCT SPEC: 製品規格
 APPLICATION SPEC: 取付適用規格
 WEIGHT: A.3
 SIZE: A.3
 CAGE CODE: 00779
 DRAWING NO: 174225
 SHEET: 1 of 1
 SCALE: 2:1
 REV: E.1

TE Connectivity
 POST HEADER (HORIZONTAL M2.5)
 AMPLIMITE .050 SERIES 2
 TYPE B

CUSTOMER DRAWING