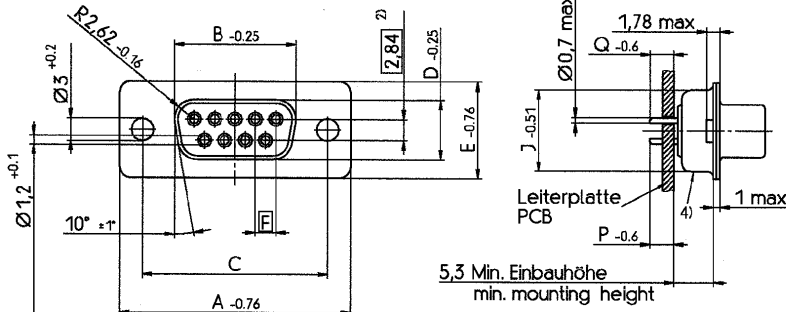


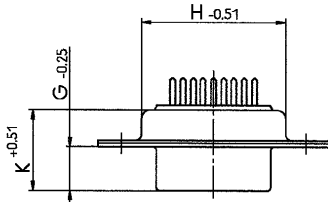
THIS INFORMATION IS CONFIDENTIAL AND PROPRIETARY TO TYCO ELECTRONICS CORPORATION AND ITS WORLDWIDE
 SUBSIDIARIES AND AFFILIATES. IT MAY NOT BE DISCLOSED TO ANYONE, OTHER THAN TYCO ELECTRONICS PERSONNEL,
 WITHOUT WRITTEN AUTHORIZATION FROM TYCO ELECTRONICS CORPORATION, HARRISBURG PENNSYLVANIA, USA.

Standardausführung: V42254-A2115-B*** V42254-A2415-B*** 3)
standard type: V42254-A2117-B*** V42254-A2417-B*** 3)
 V42254-A2315-B*** V42254-A2515-B*** 3)
 V42254-A2317-B*** V42254-A2517-B*** 3)

- 1) nach DIN 41652 T.2 und T.4
 - 2) Bemerkung: 50-polig: dreireihig
 - 3) nicht für 50-polig
 - 4) keine TE-Beschriftung bei:
 V42254-A2*17-B*** V42254-A2132-B*** V42254-A2152-B***
 V42254-A2*18-B*** V42254-A2133-B*** V42254-A2153-B***
 V42254-A2122-B*** V42254-A2142-B***
 - 5) Rille zur optischen Erkennung der Bolzentypen mit M3-Gewinde
 - 6) Blechteile örtlich herunter gedrückt
 - 7) Nur bei Ausführung mit Lötstieflänge P = 3,2mm
 - 8) Sicke nur bei den 4 äußeren Masselötstielen.
-
- 1) according to DIN 41652 p.2 and p.4
 - 2) note: 50-contact version: 3 contact rows
 - 3) not for 50-contact version
 - 4) no TE-marking for:
 V42254-A2*17-B*** V42254-A2132-B*** V42254-A2152-B***
 V42254-A2*18-B*** V42254-A2133-B*** V42254-A2153-B***
 V42254-A2122-B*** V42254-A2142-B***
 - 5) groove in the stud bolts with M3 thread (visual recognition)
 - 6) shells pressed down locally
 - 7) only for versions with soldering-pin length of P = 3,2mm
 - 8) only the four corner grounding soldering-pins have a rib



alle Kontakte
 all contacts
 Ø 0.08



Ordering code Sachnr. V42254-A2*1*-	dimension Maß Polzahl No. of contacts	dimension Maß										
		A	B	C	D	E	F	G	H	J	K	
B*09	09	31.19	16.46	25.0 ^{+0.12} _{-0.13}	8.02	12.93	2.74	6.3	19.53	10.97	10.64	
B*15	15	39.52	24.79	33.3 ^{+0.15} _{-0.14}	8.02	12.93	2.74	6.3	27.76	10.97	10.64	
B*25	25	53.42	38.5	47.04 ^{+0.13} _{-0.13}	8.02	12.93	2.76	6.3	41.53	10.97	10.64	
B*37	37	69.7	54.96	63.5 ^{+0.13} _{-0.13}	8.02	12.93	2.76	6.3	57.96	10.97	10.64	
B*50	50 ²⁾	67.31	52.55	61.1 ^{+0.14} _{-0.11}	10.87	15.75	2.76	6.3	55.58	13.82	10.64	

Anforderungsstufe¹⁾
performance level

V42254-	P	Q
A211*-****	3.2	3.2
A231*-****	5.55	5.55
A241*-**** ³⁾	1.55	1.55
A251*-**** ³⁾	13.65	14.05

dargestellt wird die 9-polige Ausführung
drawn is the 9-contacts version

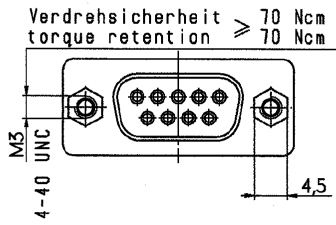
STE TE Connectivity		SCALE 2:1	WEIGHT
LOC DIMENSIONS IN MM		MATERIAL	
DATE 01.05.90	NAME Embo	PART NAME Sub-D Loetstiften gerade	
DEP PE Com PE&SE		Buchsenleiste	
		D-Sub straight soldering pins	
		female connector	
D2 ECR-10-026542 03FEB11 HMR		PART NO.	V42254-A2***-B***-27
D1 ECR-10-019447 23DEC10 KMA			
D ECR-10-017690 31AUG10 KMA		TOLERANCE UNLESS SPECIFIED OTHERWISE	
C1 ECO-09-026495 28DEC09 AEG			
C ECR-08-029564 18 DEC 08 JKH			
REV CHANGE ORDER	DATE	APP	Customer Drawing Nr. C-7-1393483-1
5		6	
		7	
		8	
			SHT. 1 OF 8

PROPRIETARY:

THIS INFORMATION IS CONFIDENTIAL AND PROPRIETARY TO TYCO ELECTRONICS CORPORATION AND ITS WORLDWIDE SUBSIDIARIES AND AFFILIATES. IT MAY NOT BE DISCLOSED TO ANYONE, OTHER THAN TYCO ELECTRONICS PERSONNEL, WITHOUT WRITTEN AUTHORIZATION FROM TYCO ELECTRONICS CORPORATION, HARRISBURG, PENNSYLVANIA, USA.

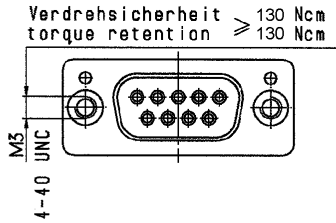
mit Gewindebolzen:
with screwlock stud bolts:

M3: 4-40 UNC:
 V42254-A2119-B*** V42254-A2116-B***
 V42254-A2319-B*** V42254-A2316-B***
 V42254-A2419-B*** (3) V42254-A2416-B*** (3)
 V42254-A2519-B*** (3) V42254-A2516-B*** (3)
 V42254-A2118-B***
 V42254-A2318-B***
 V42254-A2418-B*** (3)
 V42254-A2518-B*** (3)

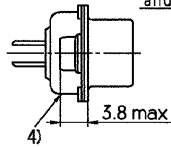


mit Stop-Mutter / Gewindeeinsatz:
with thread:

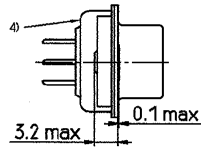
M3: 4-40 UNC:
 V42254-A2114-B*** (3) V42254-A2112-B*** (3)
 V42254-A2314-B*** (3) V42254-A2312-B*** (3)
 V42254-A2414-B*** V42254-A2412-B***
 V42254-A2514-B*** V42254-A2512-B***



mit Stop-Mutter (für 9-, 15-, 25- u. 37-pol Ausführung):
with self locking press-in nuts (for 9-, 15-, 25- and 37-contacts versions):



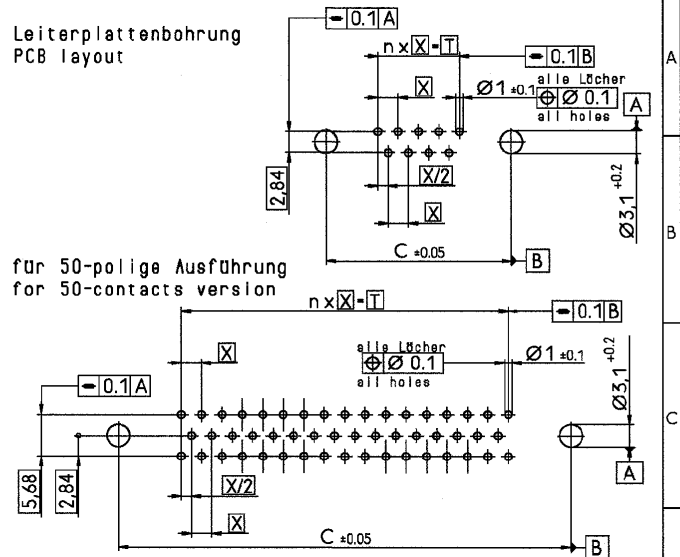
mit Gewindeeinsatz (nur für 50-pol. Ausführung):
with thread insert (only for 50-contacts version):



Erläuterungen: Seite 1
dargestellt wird die 9-polige Ausführung
remarks: see page 1
drawn is the 9-contacts version

Leiterplattenbohrung
PCB layout

für 50-polige Ausführung
for 50-contacts version



Polzahl No. of contacts	n	Abmessungen in mm dimensions in mm		
		C	T	X
9	4	25.0	10.96	2.74
15	7	33.3	19.18	2.74
25	12	47.04	33.12	2.76
37	18	63.5	49.68	2.76
50	16	61.1	44.16	2.76

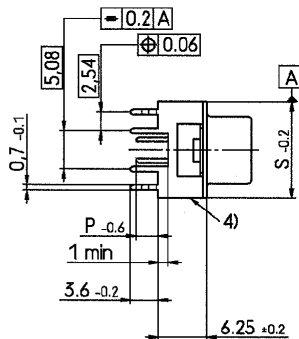
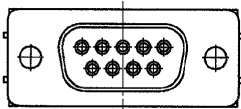
STE TE Connectivity		SCALE 2:1	WEIGHT
DATE 01.05.90		MATERIAL	
NAME Embo		PART NAME Sub-D Loetstiften gerade	
DEP PE Com PE&SE		Buchsenleiste	
TOLERANCE UNLESS SPECIFIED OTHERWISE		D-Sub straight soldering pins	
PART NO. V42254-A2***-B***-*-27		female connector	
D2 SEE SHEET 1		SHT. 2+	
REV. CHANGE ORDER	DATE	APP. Customer Drawing Nr. C-7-1395485-1	of 8

PROPRIETARY:

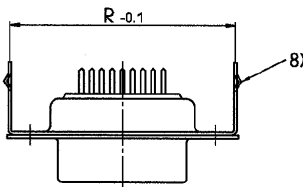
THIS INFORMATION IS CONFIDENTIAL AND PROPRIETARY TO TYCO ELECTRONICS CORPORATION AND ITS WORLDWIDE
 SUBSIDIARIES AND AFFILIATES. IT MAY NOT BE DISCLOSED TO ANYONE, OTHER THAN TYCO ELECTRONICS PERSONNEL,
 WITHOUT WRITTEN AUTHORIZATION FROM TYCO ELECTRONICS CORPORATION, HARRISBURG, PENNSYLVANIA, USA

mit Masselötstiften:
with grounding soldering pins: 3)

V42254-A2215-B***
V42254-A2217-B***
V42254-A2815-B***
V42254-A2817-B***



V42254-	P
A221*-+***	3.2
A281*-+***	5.55



Sachnr. ordering code V42254-A2*1*-	Polzahl No. of contacts	dimension Maß	
		R	S
B*09	09	30.4	12.4
B*15	15	38.8	12.4
B*25	25	52.8	12.4
B*37	37	69.1	12.4

Anforderungsstufe,
performance level 1)

Erläuterungen: Seite 1
dargestellt wird die 9-polige Ausführung
remarks: see page 1
drawn is the 9-contacts version

STE TE Connectivity		SCALE 2:1	WEIGHT
DIMENSIONS IN MM		MATERIAL	
DATE	D1.03.90	PART NAME	
NAME	Embo	Sub-D Lötstiften gerade	
DEP.	PE Com PE&SE	Buchsenleiste	
TOLERANCE UNLESS SPECIFIED OTHERWISE		PART NO.	
D2 SEE SHEET 1		V42254-A2***-B***-27	
REV	CHANGE ORDER	DATE	APP.
Customer Drawing Nr. C-7-1393483-1		SHT. 3 OF 8	

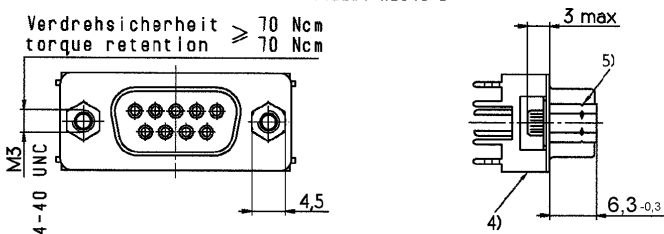
PROPRIETARY:

THIS INFORMATION IS CONFIDENTIAL AND PROPRIETARY TO TYCO ELECTRONICS CORPORATION AND ITS WORLDWIDE
 SUBSIDIARIES AND AFFILIATES. IT MAY NOT BE DISCLOSED TO ANYONE, OTHER THAN TYCO ELECTRONICS PERSONNEL,
 WITHOUT WRITTEN AUTHORIZATION FROM TYCO ELECTRONICS CORPORATION, HARRISBURG, PENNSYLVANIA, USA.

mit Masselötstiften und Gewindebolzen:
 with grounding soldering-pins and screwlock stud bolts:³⁾

M3: 4-40 UNC:
 V42254-A2219-B*** V42254-A2216-B***
 V42254-A2819-B*** V42254-A2218-B***
 V42254-A2816-B*** V42254-A2818-B***

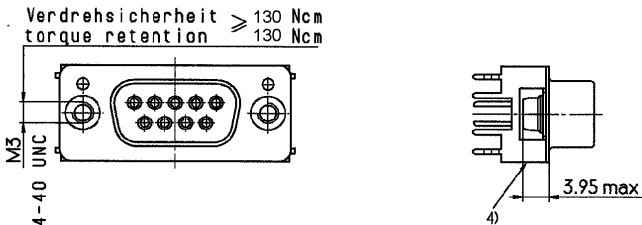
Verdrehsicherheit ≥ 70 Ncm
 torque retention ≥ 70 Ncm



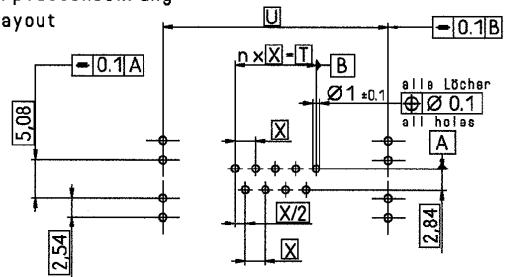
mit Masselötstiften und Stop-Mutter:
 with grounding soldering-pins and thread:³⁾

M3: 4-40 UNC:
 V42254-A2214-B*** V42254-A2212-B***
 V42254-A2814-B*** V42254-A2812-B***

Verdrehsicherheit ≥ 130 Ncm
 torque retention ≥ 130 Ncm



Leiterplattenbohrung
 PCB layout



Polzahl No. of contacts	n	Abmessungen in mm dimensions in mm		
		T	U	X
9	4	10.96	30.4	2.74
15	7	19.18	38.8	2.74
25	12	33.12	52.7	2.76
37	18	49.68	69.1	2.76

Erläuterungen: Seite 1
 dargestellt wird die 9-polige Ausführung
 remarks: see page 1
 drawn is the 9-contacts version

TE TE Connectivity		SCALE 2:1	WEIGHT
DATE 01.05.93		MATERIAL	
NAME Embo		PART NAME Sub-D Loetstiften gerade	
DEP PE Com PE&GE		Buchsenleiste D-Sub straight soldering pins female connector	
TOLERANCE UNLESS SPECIFIED OTHERWISE		PART NO. V42254-A2***-B***-27	
REV. CHANGE ORDER DATE APP.		Customer Drawing Nr. C-7-1393483-1	
D2 SEE SHEET 1		SHT. 4+	
		OF 8	

PROPRIETARY:

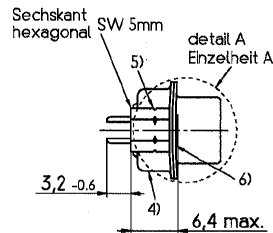
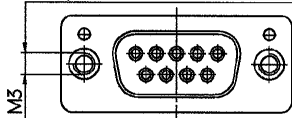
THIS INFORMATION IS CONFIDENTIAL AND PROPRIETARY TO TYCO ELECTRONICS CORPORATION AND ITS WORLDWIDE SUBSIDIARIES AND AFFILIATES. IT MAY NOT BE DISCLOSED TO ANYONE, OTHER THAN TYCO ELECTRONICS PERSONNEL, WITHOUT WRITTEN AUTHORIZATION FROM TYCO ELECTRONICS CORPORATION, HARRISBURG, PENNSYLVANIA, USA.

PROPRIETARY:

mit Distanzbolzen :
with distance bolts: 7)

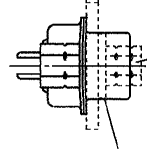
V42254-A2120-B***
V42254-A2122-B***

Verdrehsicherheit \geq 20 Ncm
torque retention \geq 20 Ncm



Montageart
mounting type

Wanddicke 0,8 bis 1,6 mm
wall thickness from 0,8 to 1,6 mm



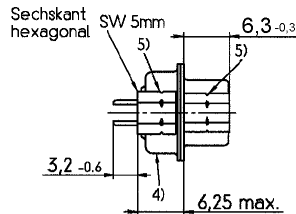
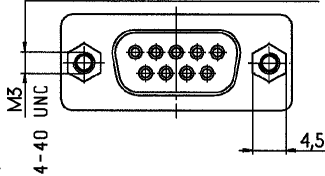
Sechskantbolzen V42254-A171-V2 oder
V42254-A172-V2 verwenden
use hexagonal bolts V42254-A171-V2
or V42254-A172-V2

Falls notwendig Distanzscheiben verwenden
if necessary, use washer(s)

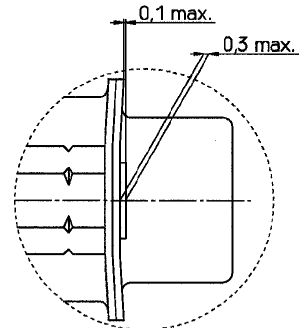
mit Gewinde- und Distanzbolzen:
with screwlock stud bolts and distance bolts: 7)

	Gewindebolzen screwlock stud bolts	Distanzbolzen distance bolts
V42254-A2130-B***	M3	M3
V42254-A2131-B***	4-40 UNC	M3
V42254-A2132-B***	M3	M3
V42254-A2133-B***	4-40 UNC	M3

Verdrehsicherheit \geq 80 Ncm
torque retention \geq 80 Ncm



Einzelheit A (5:1)
detail A



Erläuterungen: Seite 1
dargestellt wird die 9-polige Ausführung
remarks: see page 1
drawn is the 9-contacts version

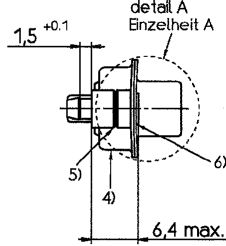
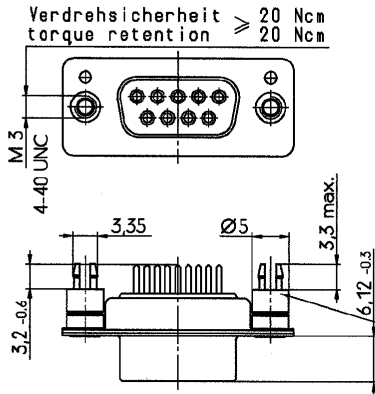
STE TE Connectivity		SCALE 2:1	WEIGHT
MATERIAL		DIMENSIONS IN MM	
DATE 01.03.90	NAME Embo	PART NAME Sub-D Loetstiften gerade	
DEP. PE Com PE&SE		Buchsenleiste D-Sub straight soldering pins female connector	
TOLERANCE UNLESS SPECIFIED OTHERWISE		PART NO. V42254-A2***-B***-27	SHT. 5+
D2 SEE SHEET 1	APP. Customer Drawing Nr. C-7-1393483-1	OF 8	
REV. CHANGE ORDER	DATE		

PROPRIETARY: THIS INFORMATION IS CONFIDENTIAL AND PROPRIETARY TO TYCO ELECTRONICS CORPORATION AND ITS WORLDWIDE SUBSIDIARIES AND AFFILIATES. IT MAY NOT BE DISCLOSED TO ANYONE, OTHER THAN TYCO ELECTRONICS PERSONNEL, WITHOUT WRITTEN AUTHORIZATION FROM TYCO ELECTRONICS CORPORATION, HARRISBURG, PENNSYLVANIA, USA.

mit Distanzbolzen und Clip :
with distance bolts and grounding socket : 7)

M3 : V42254-A2140-B*** 4-40 UNC : V42254-A2141-B***
V42254-A2142-B***

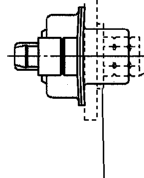
Verdrehsicherheit ≥ 20 Ncm
torque retention ≥ 20 Ncm



Clip für :
grounding socket for:
- Loch: $\varnothing 3,2^{+0.1}$
- hole: $\varnothing 3,2^{+0.1}$
- LP-Dicke: 1,5^{+0.1}
- PCB thickness: 1,5^{+0.1}

Montageart
mounting type

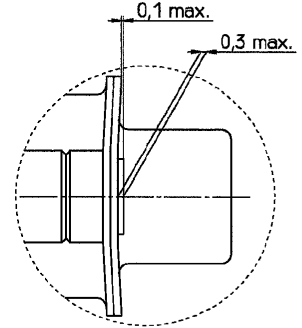
Wanddicke 0.8 bis 1,6 mm
wall thickness from 0,8 to 1,6 mm



Schraubbolzen V42254-A171-V2 oder
V42254-A172-V2
verwenden
use hexagonal bolts V42254-A171-V2
or V42254-A172-V2

Falls notwendig Distanzscheiben
verwenden
if necessary, use washer(s)

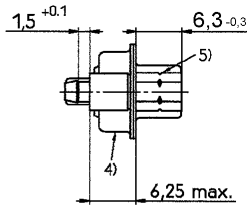
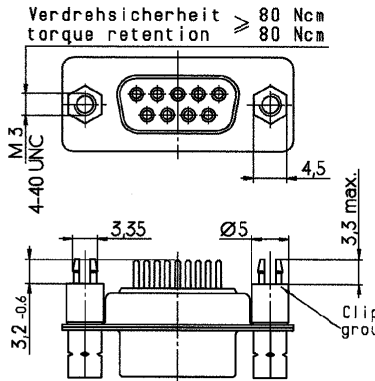
Einzelheit A (5:1)
detail A



mit Gewinde- und Distanzbolzen mit Clip :
with screwlock stud bolts and distance bolts and grounding socket : 7)

M3 : V42254-A2150-B*** 4-40 UNC : V42254-A2151-B***
V42254-A2152-B*** V42254-A2153-B***

Verdrehsicherheit ≥ 80 Ncm
torque retention ≥ 80 Ncm



Clip für :
grounding socket for:
- Loch: $\varnothing 3,2^{+0.1}$
- hole: $\varnothing 3,2^{+0.1}$
- LP-Dicke: 1,5^{+0.1}
- PCB thickness: 1,5^{+0.1}

Erläuterungen: Seite 1
dargestellt wird die 9-polige Ausführung
remarks: see page 1
drawn is the 9-contacts version

STE TE Connectivity		SCALE 2:1	WEIGHT
DATE 01.05.90		MATERIAL	
NAME Embo		PART NAME Sub-D Loetstiften gerade	
DEP. PE Com PE&SE		Buchsenleiste D-Sub straight soldering pins female connector	
TOLERANCE UNLESS SPECIFIED OTHERWISE		PART NO.	SHT. 6+
REV. SEE SHEET 1		V42254-A2***-B***-27	OF 8
REV. CHANGE ORDER	DATE	APP. Customer Drawing Nr. C-7-1593483-1	

V 4 2 2 5 4 - A 2 * * * * - B * * * *

Anschlußausführung // connection type	
1	Lotstiftlänge 3,2mm // soldering pin length 3,2mm
2	Lotstiftlänge 3,2mm mit Messlotstiften 1) // soldering pin length 3,2mm with grounding soldering pins
3	Lotstiftlänge 5,55mm // soldering pin length 5,55mm
4	Lotstiftlänge 1,55mm 1) // soldering pin length 1,55mm 1)
5	Lotstiftlänge 14,05mm 1) // soldering pin length 14,05mm 1)
6	Lotstiftlänge 5,55mm mit Messlotstiften 1) // soldering pin length 5,55mm with grounding soldering pins 1)

Steckerart // connector type	
B	Buchsensteckler // female connector

Polzahl // No. of contacts	
08	8-polig // 8-contacts
15	15-polig // 15-contacts
25	25-polig // 25-contacts
37	37-polig // 37-contacts
50	50-polig // 50-contacts

Kontaktoberfläche / Kontaktart // contact surface / contact type	
1	Anforderungsstufe 1 // gerollte Kontakte // performance level 1 // rolled contacts
2	Anforderungsstufe 2 // gerollte Kontakte // performance level 2 // rolled contacts

Steckverbinderunterstützung // connector hardware

1*		2*		3*		4*		5*	
Standardausführung + Ausführung mit Gewindeeinsatz oder Gewindebolzen standard version + version with thread insert or screwlock stud bolts									
12	ja // yes	4-40UNC	nein // no						
14	ja // yes	W3	nein // no						
15	ja // yes	nein // no	nein // no						
16	ja // yes	nein // no	4-40UNC						
17	nein // no	nein // no	nein // no						
18	nein // no	nein // no	4-40UNC						
19	ja // yes	nein // no	W3						

2*	
Ausführung mit Distanzbolzen version with distance bolts	
20	W3 ja // yes
22	W3 nein // no

3*	
Ausführung mit Gewindebolzen und Distanzbolzen version with screwlock stud bolts and distance bolts	
30	W3 W3 ja // yes
31	4-40UNC W3 ja // yes
32	W3 W3 nein // no
33	4-40UNC W3 nein // no

4*	
Ausführung mit Distanzbolzen mit Clip version with distance bolts and grounding socket	
40	Clip W3 + ja // yes
41	Clip 4-40UNC + ja // yes
42	Clip W3 + nein // no

5*	
Ausführung mit Gewindebolzen und Distanzbolzen mit Clip version with screwlock stud bolts and distance bolts and grounding socket	
50	W3 Clip ja // yes
51	4-40UNC Clip ja // yes
52	W3 Clip nein // no
53	4-40UNC Clip nein // no

THIS INFORMATION IS CONFIDENTIAL AND PROPRIETARY TO TYCO ELECTRONICS CORPORATION AND ITS WORLDWIDE SUBSIDIARIES AND AFFILIATES. IT MAY NOT BE DISCLOSED TO ANYONE OTHER THAN TYCO ELECTRONICS PERSONNEL WITHOUT WRITTEN AUTHORIZATION FROM TYCO ELECTRONICS CORPORATION, HARRISBURG PENNSYLVANIA USA.

- 1) nicht für 50-polig
- 2) nur für Lotstiftlänge 3,2mm
- 1) not for 50-contacts version
- 2) not for soldering pin length 3,2mm

STE TE Connectivity		SCALE	WEIGHT
LCC	OVERSIZ	MATERIAL	
DATE	01.08.90	PART NAME	
DATE	1989	Suo-D Lotstiften gerade	
APP.	ECB CIPD	Buchsenstecker	
		D-Sub straight soldering pins	
		female connector	
TOULAKL/LEUB	PRODUCED IN SWITZERLAND	PART NO.	V42254-A2***-B***-27
REV.	CHANGE ORDER	DATE	APP. Customer Drawing No. C-7-1593483-1

THIS INFORMATION IS CONFIDENTIAL AND PROPRIETARY TO TYCO ELECTRONICS CORPORATION AND ITS WORLDWIDE
 SUBSIDIARIES AND AFFILIATES. IT MAY NOT BE DISCLOSED TO ANYONE, OTHER THAN TYCO ELECTRONICS PERSONNEL,
 WITHOUT WRITTEN AUTHORIZATION FROM TYCO ELECTRONICS CORPORATION, HARRISBURG, PENNSYLVANIA, USA.

PROPRIETARY:

1	2	3	4	5	6	7	8
TE PARTNUMBER		OLD PARTNUMBER (Description)		TE PARTNUMBER		OLD PARTNUMBER (Description)	
1-1393484-0		V42254A2140B125		4-1393740-6		V42254A2215B225	
1-1393484-1		V42254A2140B137		4-1393740-7		V42254A2215B237	
1-1393484-2		V42254A2140B209		6-1393740-6		V42254A2216B109	
1-1393484-5		V42254A2141B209		6-1393740-7		V42254A2216B115	
1-1393484-6		V42254A2141B215		6-1393740-8		V42254A2216B125	
4-1393484-7		V42254A2141B225		6-1393740-9		V42254A2216B137	
4-1393484-8		V42254A2141B237		7-1393483-1		SUB D FEDERLEISTE	
1-1393740-3		V42254A2115B250		7-1393483-2		V42254A2112B225	
1-1393740-7		V42254A2212B209		7-1393483-5		SUB D FEDERLEISTE	
1-1393740-8		V42254A2212B215		7-1393483-6		V42254A2114B215	
1-1393740-9		V42254A2212B225		7-1393740-0		V42254A2216B209	
1393484-3		V42254A2116B209		7-1393740-1		V42254A2216B215	
1393484-4		V42254A2116B225		7-1393740-2		V42254A2216B225	
1393484-5		V42254A2116B237		7-1393740-3		V42254A2216B237	
1393484-8		V42254A2140B109		8-1393483-6		V42254A2115B125	
1393484-9		V42254A2140B115		8-1393483-7		V42254A2115B209	
1393741-1		V42254A2812B215		8-1393483-8		V42254A2115B215	
1393741-3		V42254A2816B109		8-1393483-9		V42254A2115B225	
1393741-4		V42254A2816B115		8-1393740-7		SUB D FEDERLEISTE	
1393741-5		V42254A2819B209		8-1393740-8		SUB D FEDERLEISTE	
1393741-6		V42254A2819B225		8-1393740-9		SUB D FEDERLEISTE	
1485839-1		V42254A21XXB209		9-1393483-0		V42254A2115B237	
1485839-2		V42254A21XXB215		9-1393740-0		V42254A2219B209	
1485839-3		V42254A21XXB215P		9-1393740-1		V42254A2219B215	
1485839-4		V42254A21XXB225		9-1393740-2		V42254A2219B225	
1485839-5		V42254A21XXB225P		9-1393740-3		V42254A2219B237	
1485839-6		V42254A21XXB237		9-1393740-4		V42254A2315B250	
1857904-3		25p Sub-D PCB Rec 4-40 UNC Scr.Lck+Clip		9-1393740-5			
2-1393484-2		V42254A2151B209		9-1393740-6			
2-1393484-3		V42254A2151B215		2-1393484-4		V42254A2151B225	
2-1393484-4		V42254A2151B225		2-1393740-8		V42254A2214B209	
2-1393740-8		V42254A2214B209		2-1393740-9		V42254A2214B215	
2-1393740-9		V42254A2214B215		3-1393484-1		V42254A2315B109	
3-1393484-1		V42254A2315B115		3-1393484-2		V42254A2315B115	
3-1393484-2		V42254A2315B115		3-1393484-3		V42254A2315B209	
3-1393484-3		V42254A2315B209		3-1393484-4		V42254A2315B215	
3-1393484-4		V42254A2315B215		3-1393484-5		V42254A2315B225	
3-1393484-5		V42254A2315B225		3-1393484-6		V42254A2315B237	
3-1393484-6		V42254A2315B237		3-1393740-0		V42254A2214B225	
3-1393740-0		V42254A2214B225		3-1393740-1		V42254A2214B237	
3-1393740-1		V42254A2214B237		4-1393740-4		V42254A2215B209	
4-1393740-4		V42254A2215B209		4-1393740-5		V42254A2215B215	
4-1393740-5		V42254A2215B215					

STE TE Connectivity		SCALE 2:1		WEIGHT	
		LOC GW		DIMENSIONS IN MM	
		DATE 01.05.90		PART NAME Sub-D Loetstiften gerade	
		NAME Embo		Buchsenleiste	
		DEP PE Com PE&SE		D-Sub straight soldering pins	
				female connector	
		TOLERANCES UNLESS SPECIFIED OTHERWISE		PART NO.	
D2 SEE SHEET 1				V42254-A2***-B***-27	
REV. CHANGE ORDER		DATE APP.		Customer Drawing Nr. C-7-1393483-1	
				SHT. 8	
				OF 8	