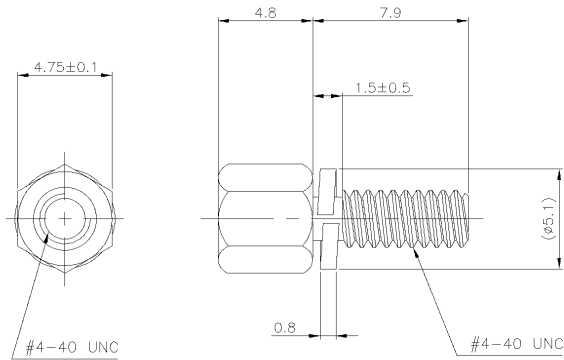
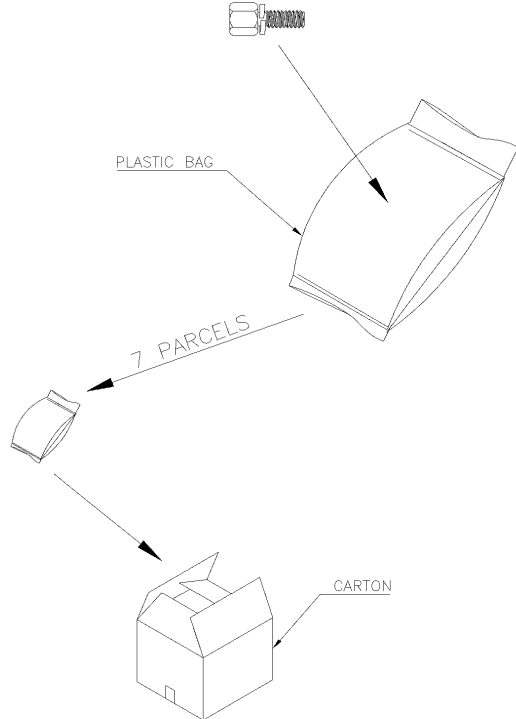


NUMBER C-1470371
 METRIC
 3RD ANGLE PROJECTION



- NOTE:
1. MATERIAL: BRASS.
 2. FINISH: 60μ" MIN, NICKEL PLATED.
 3. SCREWLOCK TORQUE WHEN MOUNTED: 5 kg-cm MAX.



THIS INFORMATION IS CONFIDENTIAL AND IS DISCLOSED TO YOU ON CONDITION THAT NO FURTHER DISCLOSURE IS MADE BY YOU TO OTHER THAN AMP PERSONNEL WITHOUT DIMENSIONS IN MILLIMETERS. DO NOT SCALE PRINT.

PRINT DIST
 DW

0	FIRST RELEASED	FZ00-0031-03	AW	28JAN 2003
LTR	REVISION RECORD	ECN	DWG CHK	DATE

2000	14000	260 X 210 X 140	1470371-1
PCS/BAG	QUANTITY	CARTON DIMENSIONS	PART NUMBER
DWN A. WU 28-JAN-2003		TYCO HOLDINGS (BERMUDA) VII LTD. TAIWAN BRANCH	
TOLERANCES UNLESS OTHERWISE SPECIFIED: 0 PLC ± 1 PLC ±0.2 2 PLC ±0.25 3 PLC ± ANGLES ±3°		NAME	
CHK J. CHENG 28-JAN-2003		SCREWLOCK WITH SPRING WASHER	
MATERIAL		APVD J. WU 28-JAN-2003	
SEE NOTE		PRODUCT SPEC	
FINISH		APPLICATION SPEC	
SEE NOTE		WEIGHT	
LOC DW	SIZE A ₃	DRAWING NO	REV O
SCALE 1 : 5		C-1470371	1 OF 1
		SHEET	

CUSTOMER DRAWING