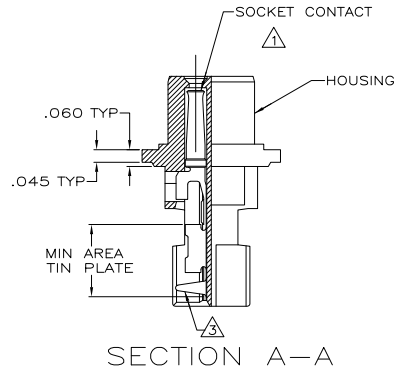
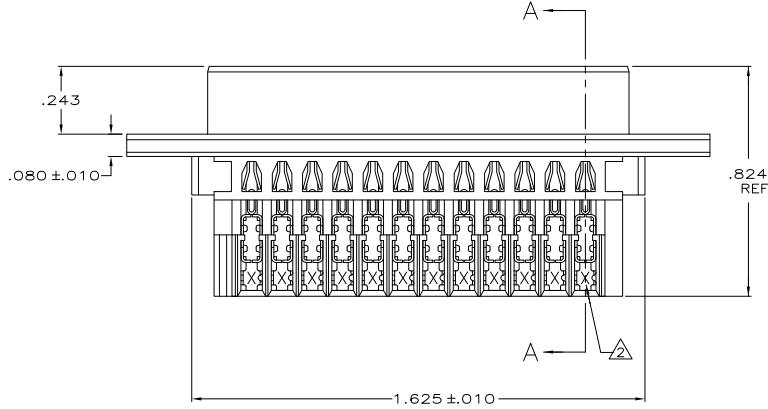
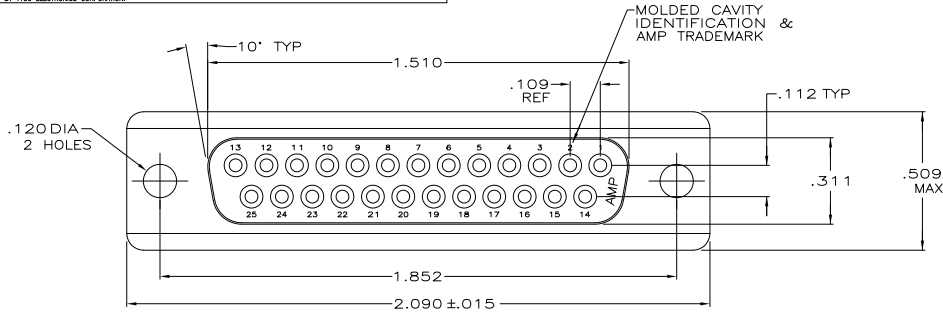


THIS DRAWING IS UNPUBLISHED. RELEASED FOR PUBLICATION
 © COPYRIGHT BY TYCO ELECTRONICS CORPORATION. ALL RIGHTS RESERVED.

LOC		DIBT		REVISIONS			
GP	00	P	LTR	DESCRIPTION	DATE	MIN	APD
		P2		REVISED PER ECO-07-008164	27JUL07		JDP/CWR



- △ HOUSING FULLY LOADED WITH CONTACTS.
- △ NUMBER ON CONTACT INDICATES WIRE RANGE.
- △ CONTACT INSULATION RANGE: .060 MAXIMUM O.D.
- △ CONTACTS PLATED .000030 GOLD ON MATING END FOR .100 MIN LENGTH. .000100-.000200 THICK BRIGHT TIN OR BRIGHT TIN-LEAD IN AREA SHOWN. .000050 THICK NICKEL UNDERPLATE ON ENTIRE CONTACT.
- △ CONTACTS PLATED WITH GOLD FLASH ON MATING END FOR .100 MIN LENGTH. .000100-.000200 THICK BRIGHT TIN OR BRIGHT TIN-LEAD IN AREA SHOWN. .000030 THICK NICKEL UNDERPLATE ON ENTIRE CONTACT.
- △ CONTACTS PLATED .000030 GOLD ON MATING END FOR .100 MIN LENGTH. .000100-.000200 THICK MATTE TIN IN AREA SHOWN. .000050 THICK NICKEL UNDERPLATE ON ENTIRE CONTACT.
- △ CONTACTS PLATED WITH GOLD FLASH ON MATING END FOR .100 MIN LENGTH. .0001-.0002 THICK MATTE TIN PLATE IN AREA SHOWN. .000030 MIN NICKEL UNDERPLATE ON ENTIRE CONTACT.
- △ HOUSING: BLACK THERMOPLASTIC 94V-0 RATED. CONTACTS: PHOSPHOR BRONZE.

FINISH	AWG WIRE RANGE	PART NUMBER
△ 2	#22-26	745209-8
△ 6	#22-26	745209-7
△ 3	#20-22	745209-6
△ 5	#22-26	745209-5
△ 1	#26-30	745209-4
△ 3	#20-22	745209-3
△ 2	#22-26	745209-2
△ 1	#26-30	745209-1

THIS DRAWING IS A CONTROLLED DOCUMENT.

DIMENSIONS: INCHES	11-15-04	11-15-04	11-15-04
OTHER FINISHES: SEE TABLE	11-15-04	11-15-04	11-15-04
MATERIAL	FINISH	SEE TABLE	

DESIGNED BY: VARELA - DOCKES	DATE: 11-15-04	NAME: M. WALMSLEY
CHECKED BY: GERACE	DATE: 11-15-04	NAME: M. WALMSLEY
PRODUCT SPEC: 108-40011	APPLICATION SPEC: 114-40002	REVISION: A2
SIZE: A2	CAGE CODE: 00779	DRAWING NO: C=745209
REVISION: A2	SCALE: 4:1	SHEET: 1 of 1

RECEPTACLE ASSEMBLY, SIZE 3, 25 POSITION, AMPLIMITE

CUSTOMER DRAWING

AMP 1471-9 REV 31MM2000

745209

A