

4

3

2

1

THIS DRAWING IS UNPUBLISHED.

RELEASED FOR PUBLICATION

2006

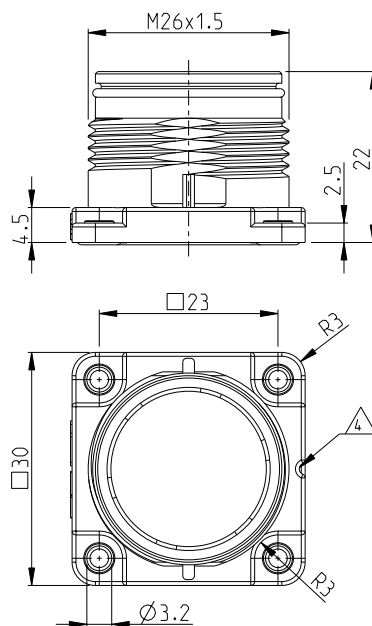
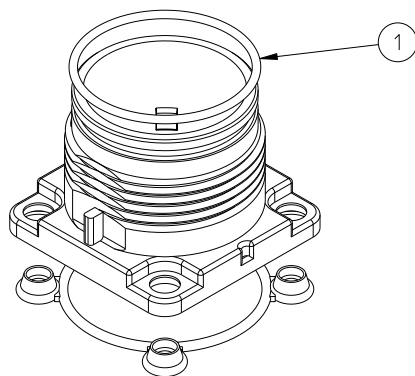
© COPYRIGHT 2006 Tyco Electronics AMP GmbH

ALL RIGHTS RESERVED.

LOC
A1DIST
-

REVISIONS

P	LTR	DESCRIPTION	DATE	DWN	APVD
C1		ECR-11-016021	05AUG2011	GW	OH
C2		ECR-11-017650	09SEP2011	SH	HEIN
C3		ECR-12-000401	09JAN2012	GW	BR



Notes

- 1 SUITABLE HOUSINGS: SERIES HC26
CUSTOMER DRAWING: 1103436, 1103434
- 2 SUITABLE INSERTS: SERIES HC26
CUSTOMER DRAWING: 1103428, 1103429,
1103431, 1103432
- 3 STANDARDS:
DIN EN 61984, DIN EN 60664-1
- 4 CODING GROOVE
- 5 PACKAGING:
40 SETS IN A CARTON, PRE-MOUNTED
- 6 SALEABLE PART
- 7 KIT COMPONENT: FOR INTERNAL USE ONLY

PN 0-1 AS SHOWN

7	6	PN/QTY	DESCRIPTION	MATERIAL	SURFACE/COLOR	NOTE	ITEM
1	1	BULKHEAD HOUSING	ZINC ALLOY	NICKEL PLATED	SERIES HC26, DESIGN METAL		3
1	1	SEALING	FKM	GREY	SERIES HC26, BULKHEAD HSG		2
1	1	O-RING	FKM, 70	BLACK	20.0x1.25 DIN 3771		1
-2	-1	DESCRIPTION	MATERIAL	SURFACE/COLOR	NOTE		ITEM

PARTS LIST

DIMENSIONS:		TOLERANCES UNLESS OTHERWISE SPECIFIED:		APPROVED		NAME		RESTRICTED TO	
mm				26 JAN 2009		BULKHEAD HOUSING ASS'Y			
0 PLC		±		T. VETTER		SERIES HC26, DESIGN METAL			
1 PLC		±		H. BRAUN		POWER 4 NET			
2 PLC		±		T. SCHNURPFIL		108-74097			
3 PLC		±		114-74103		SIZE		DRAWING NO	
4 PLC		±		MATERIAL		A3		00779	
ANGLES		±°		FINISH		CAGE CODE		C=1103436	
						DRAWING NO		RESTRICTED TO	
						WEIGHT		-	
						CUSTOMER DRAWING		SCALE 2:1 SHEET 1 OF 1 REV C3	

1470-19 (3/11)

Pro/ENGINEER DRAWING