

4

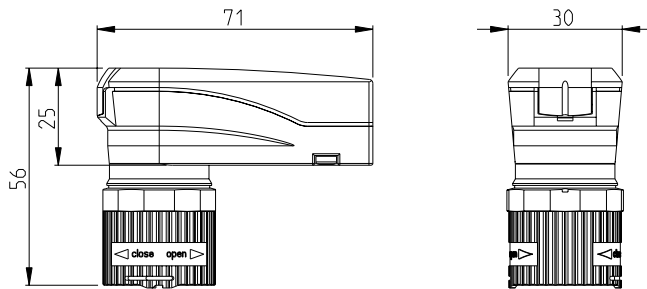
3

2

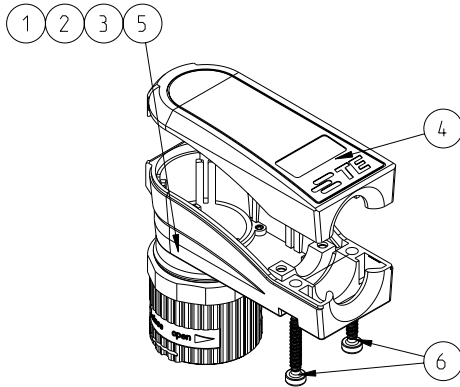
1

THIS DRAWING IS UNPUBLISHED. RELEASED FOR PUBLICATION 2006
 © COPYRIGHT 2006 Tyco Electronics AMP GmbH ALL RIGHTS RESERVED.

LOC	DIST	REVISIONS					
		P	LTR	DESCRIPTION	DATE	DWN	APVD
A1	-	C3		ECR-11-015098	19 JUL 2011	GW	OH
		C4		ECR-11-015647	27 JUL 2011	GW	BR
		C5		ECR-11-015802	29 JUL 2011	GW	BR
		D1		ECR-11-018403	07 SEP 2011	OH	BR



PN 0-1 AS SHOWN



Notes

- 1 SUITABLE HOUSINGS: SERIES HC26
CUSTOMER DRAWING: 1103433, 1103470
- 2 SUITABLE INSERTS: SERIES HC26
CUSTOMER DRAWING: 1103428, 1103429, 1103431, 1103432
- 3 STANDARDS:
DIN EN 61984, DIN EN 60664-1
- 4 PACKAGING PN 0-1:
40 SETS IN A CARTON
- 5 PACKAGING PN 0-2:
500 PIECES IN A CARTON
- 6 PACKAGING PN 0-3:
500 PIECES IN A CARTON
- 7 PACKAGING PN 0-4:
1000 PIECES IN A CARTON
- 8 SUITABLE: ACCESSORY KIT:
CUSTOMER DRAWING 1103519

QTY/PN	DESCRIPTION	MATERIAL	SURFACE/COLOR	NOTE	ITEM
- - 1 1	RETAINING RING	PA66-GF25	GREY	SERIES HC26, CONN./ COUPL. HSG.	6
- - 1 1	COUPLING NUT	PA66-GF25	GREY	SERIES HC26, CONN. HSG., DESIGN PLASTIC	5
- 1 - 1	COVER	PA66-GF25	GREY	SERIES HC26, CONN. HSG., DESIGN PLASTIC	4
- - 1 1	ANGLED CONNECTOR HOUSING	PA66-GF25	GREY	SERIES HC26, DESIGN PLASTIC	3
- - 1 1	SEALING	FKM	GREY	SERIES HC26, INTERMATE	2
1 - - 2	SCREW FOR PLASTICS	STEEL	ZINC PLATED	WNS452, 10IP3.0x18	1
0-4 0-3 0-2 0-1	DESCRIPTION	MATERIAL	SURFACE/COLOR	NOTE	ITEM

PARTS LIST (PER UNIT)

THIS DRAWING IS A CONTROLLED DOCUMENT.

DIMENSIONS:	TOLERANCES UNLESS OTHERWISE SPECIFIED:
mm	0 PLC ±
	1 PLC ±
	2 PLC ±
	3 PLC ±
	4 PLC ±
	ANGLES ±
MATERIAL	FINISH

OWN	H.BRAUN	25SEP2007
CHK	T.VETTER	27OCT2008
APVD	T.SCHNURPFIL	27OCT2008
PRODUCT SPEC	108-74097	
APPLICATION SPEC	114-74103	
WEIGHT	-	
CUSTOMER DRAWING		



TE Connectivity

NAME ANGLD CONNECTOR HOUSING ASS'Y
SERIES HC26, DESIGN PLASTIC
POWER 4 NET

SIZE	CAGE CODE	DRAWING NO	RESTRICTED TO
A3	00779	C=1103434	-

SCALE 2:1 SHEET 1 OF 1 REV D1

1470-19 (3/11)

Pro/ENGINEER DRAWING