

4

3

2

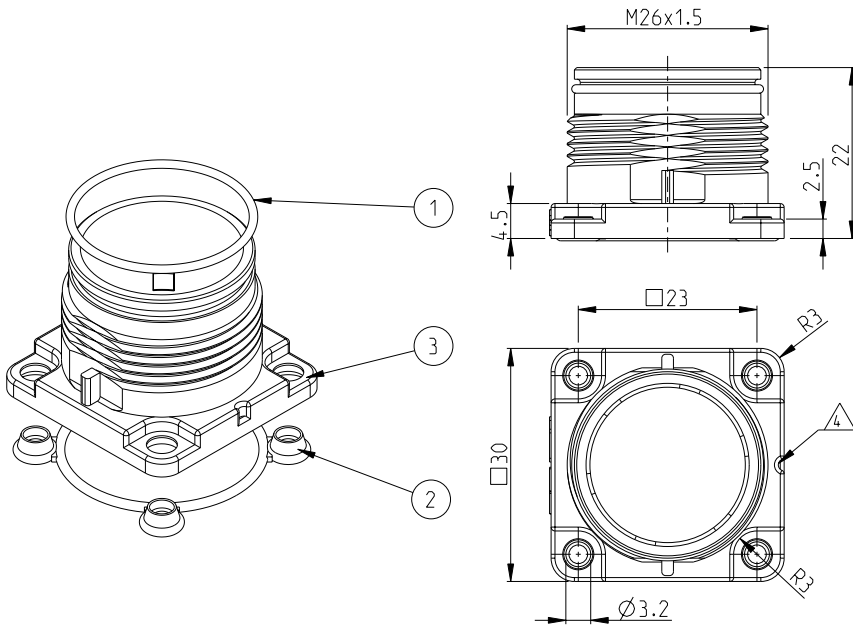
1

THIS DRAWING IS UNPUBLISHED. RELEASED FOR PUBLICATION 2006
 © COPYRIGHT 2006 ALL RIGHTS RESERVED.

LOC	DIST	REVISIONS			
P	LTR	DESCRIPTION	DATE	DWN	APVD
E3		ECR-12-001008	09JAN2012	GW	BR

Notes

- 1 SUITABLE HOUSINGS: SERIES HC26
CUSTOMER DRAWING: 1103433 , 1103467
- 2 SUITABLE INSERTS: SERIES HC26
CUSTOMER DRAWING: 1103428, 1103429, 1103431, 1103432
- 3 STANDARDS:
DIN EN 61984, DIN EN 60664-1
- 4 CODING GROOVE
- 5 PACKAGING:
40 SETS IN A CARTON, PRE-MOUNTED



PN 0-1 AS SHOWN

QTY	DESCRIPTION	MATERIAL	SURFACE/COLOR	NOTE	ITEM
1	BULKHEAD HOUSING	PA66-GF25	GREY	SERIES HC26, DESIGN PLASTIC	3
1	SEALING	FKM	GREY	SERIES HC26, BULKHEAD HSG.	2
1	O-RING	FKM, 70	BLACK	20.0x1.25 DIN 3771	1

PARTS LIST

THIS DRAWING IS A CONTROLLED DOCUMENT.		DWN H.BRAUN 28JUN2007 CHK T.VETTER 27OCT2008 APVD T.SCHNURPFIL 27OCT2008	TE Connectivity		
DIMENSIONS: mm	TOLERANCES UNLESS OTHERWISE SPECIFIED: 0 PLC ± 1 PLC ± 2 PLC ± 3 PLC ± 4 PLC ± ANGLES ±	NAME BULKHEAD HOUSING ASS'Y SERIES HC26, DESIGN PLASTIC POWER 4 NET	RESTRICTED TO		
MATERIAL -	FINISH -	PRODUCT SPEC - APPLICATION SPEC - WEIGHT -	SIZE A3 CAGE CODE 00779 DRAWING NO. ©=1103433		
		CUSTOMER DRAWING	SCALE 2:1	SHEET 1 OF 1	REV E3

1470-19 (3/11)

Pro/ENGINEER DRAWING