

4

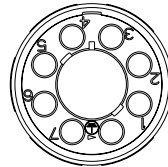
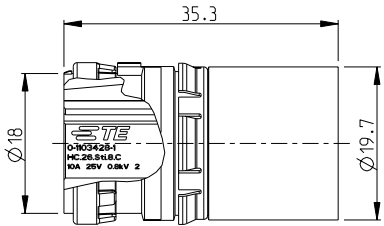
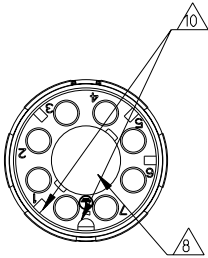
3

2

1

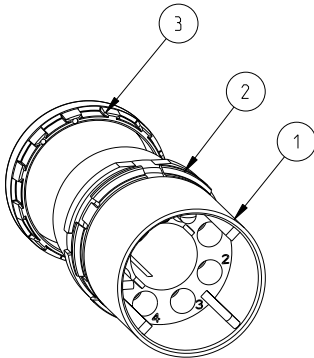
THIS DRAWING IS UNPUBLISHED. RELEASED FOR PUBLICATION 2006
 © COPYRIGHT 2006 Tyco Electronics AMP GmbH ALL RIGHTS RESERVED.

LOC	DIST	REVISIONS				
P	LTR	DESCRIPTION	DATE	DNW	APVD	
B5		ECR-11-016022	03AUG2011	GW	BR	
C1		ECR-11-018403	07SEP2011	OH	BR	
C2		ECR-11-021475	24OCT2011	GW	BR	



- Notes
- SUITABLE HOUSINGS: SERIES HC26
CUSTOMER DRAWING: 1103433, 1103434
 - OUTER DIMENSIONS OF INSULATION: MAX. Ø3.2 MM
 - SUITABLE CRIMP CONTACTS:
CUSTOMER DRAWING: 827040
 - SUITABLE SUB-MIN. COAXICON CONTACTS:
CUSTOMER DRAWING: 51563
 - SUITABLE LWL (OPTICS) CONTACTS:
CUSTOMER DRAWING: 216341
 - SUITABLE INSERTION TOOL:
CUSTOMER DRAWING: 1102855
 - SUITABLE EXTRACTION TOOL:
CUSTOMER DRAWING: 1102855
 - △ 8 SUITABLE SIGNAL INSERT:
CUSTOMER DRAWING: 1103426
 - STANDARDS:
DIN EN 61984, DIN EN 60664-1
 - △ 10 POLARIZATION RIPS
 - PACKAGING 0-1 / 0-2:
40 SETS IN A CARTON
 - PACKAGING 0-3:
40 PIECE

PN 0-1 AS SHOWN



PN/QTY	DESCRIPTION	MATERIAL	COLOR	NOTE	ITEM
- - 1	ADAPTOR RING	PA-66-GF25	GREY	SERIES HC26, INSERT	3
- - 1	RETAINING RING	PA-66-GF25	GREY	SERIES HC26, INSERT	2
1 1 1	MALE INSERT	PBT-GF10	GREY	SERIES HC26, INSERT	1

THIS DRAWING IS A CONTROLLED DOCUMENT.		DNW 28OCT2008	STE TE Connectivity	
		CHK H.BRAUN 28OCT2008		
DIMENSIONS: mm		APVD T.VETTER 28OCT2008	NAME MALE INSERT ASS'Y	
TOLERANCES UNLESS OTHERWISE SPECIFIED:		APVD T.SCHNURPFIL 28OCT2008	SERIES HC26, 8-POS., TYPE III+	
0 PLC ±		PRODUCT SPEC 108-74097	POWER 4 NET	
1 PLC ±		APPLICATION SPEC 114-74103	SIZE A3	CAGE CODE 00779
2 PLC ±		WEIGHT -	DRAWING NO C=1103428	RESTRICTED TO -
3 PLC ±		CUSTOMER DRAWING		
4 PLC ±		SCALE 2:1 SHEET 1 OF 1 REV C2		
ANGLES ±				
FINISH -				