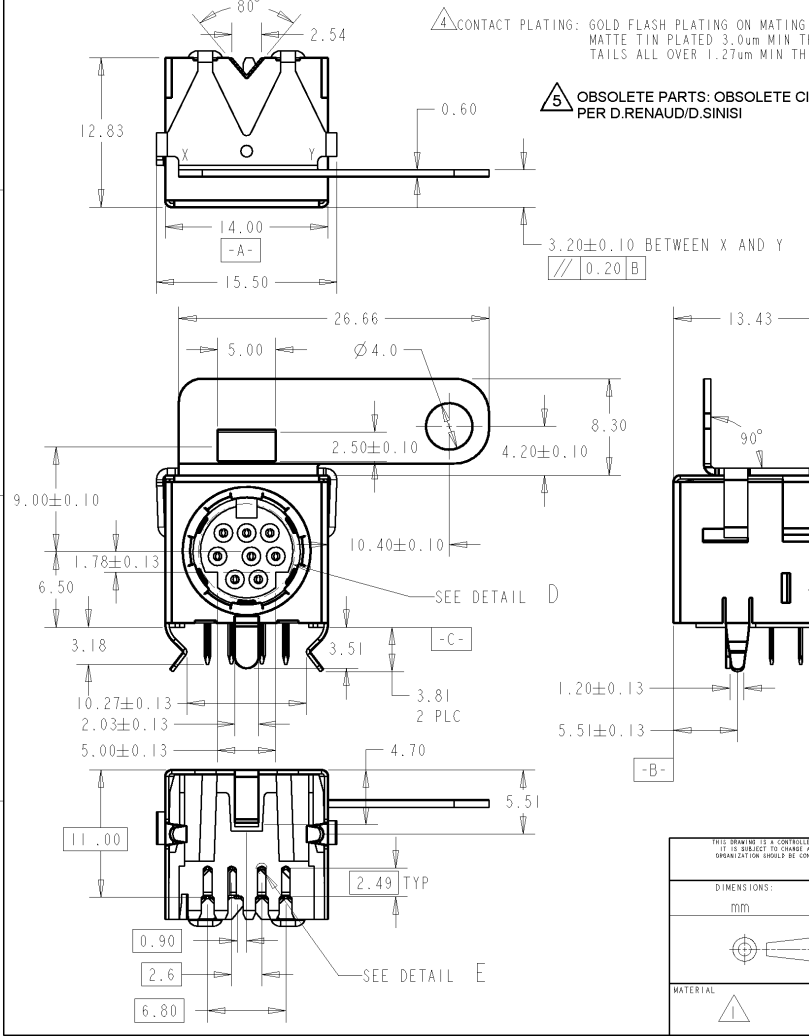
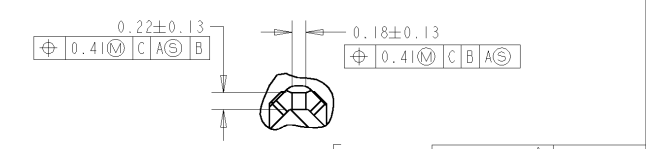
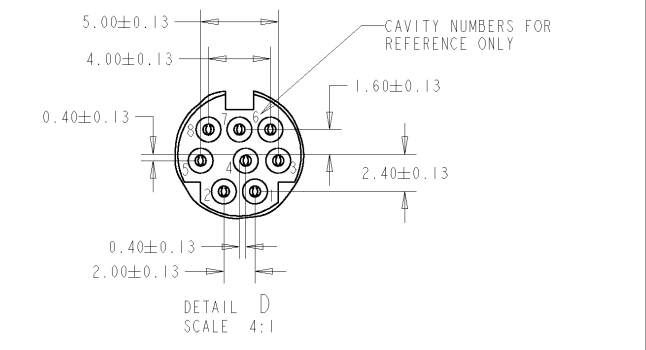


THIS DRAWING IS UNPUBLISHED. RELEASED FOR PUBLICATION .19
 BY AMP INCORPORATED. ALL RIGHTS RESERVED.

| LOC | DIST | REVISIONS | | | |
|-----|------|---------------------------|---------|-----|------|
| F | LTR | DESCRIPTION | DATE | OWN | APVD |
| A | | REVISED FP00-0065-04 | 19MAR04 | LWY | LSF |
| A1 | | REVISED PER ECO-09-022424 | 30SEP09 | KK | AEG |



NOTES:
 1 RECEPTACLE CONTACT: COPPER ALLOY
 HOUSING: POLYMER, UL 94V-0 RATED, BLACK
 GROUND CLIP: STAINLESS STEEL
 2 CONTACT PLATING: GOLD FLASH PLATING ON MATING ENDS,
 TIN-LEAD PLATED 3.0um MIN THICK ON SOLDER
 TAILS ALL OVER 1.27um MIN THICK NICKEL
 3 SHIELD PLATING: 2.5um MIN TIN-LEAD

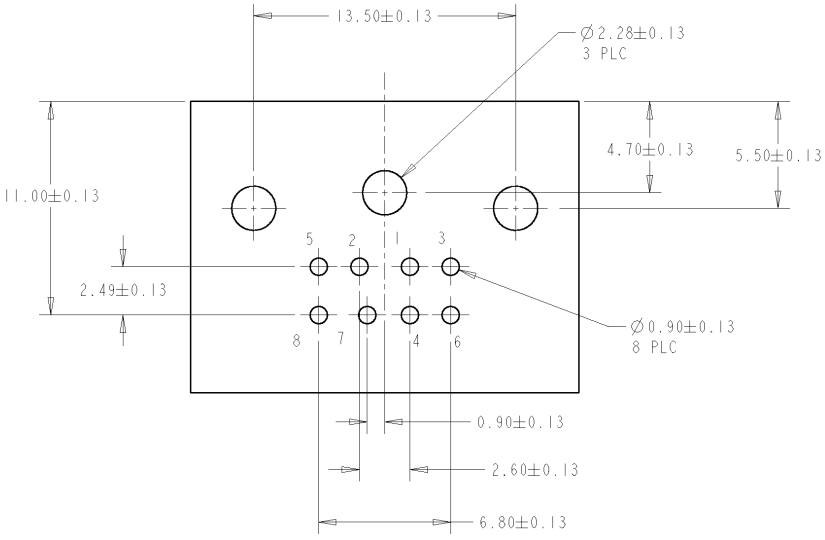


| | | | |
|--|---|---|---|
| THIS DRAWING IS A CONTROLLED DOCUMENT FOR AMP INCORPORATED IT IS SUBJECT TO CHANGE AND THE ORIGINAL DRAWING OR ORGANIZATION SHOULD BE CONTACTED FOR THE LATEST REVISION. | | OWN WYLEE 16SEP99 CHR MARCUS APVD SE LEONG PRODUCT SPEC 108-1225 APPLICATION SPEC - WEIGHT - CUSTOMER DRAWING | AMP AMP MANUFACTURING (SINGAPORE) PTE. LTD. NAME 8P RIGHT ANGLE CIRCULAR MINIDIN ASSEMBLY WITH GROUND CLIP SIZE A3 CAGE CODE 00779 DRAWING NO C-84676 SCALE 3:1 SHEET 1 OF 2 REV A1 |
| DIMENSIONS: mm | TOLERANCES UNLESS OTHERWISE SPECIFIED: 0 PLC ± 1 PLC ±0.3 2 PLC ±0.25 3 PLC ±0.2 4 PLC ± ANGLES ±° | MATERIAL 1 FINISH 2 3 | LEAD FREE 87676-2 TIN-LEAD 84676-1 FINISH PART NO. |

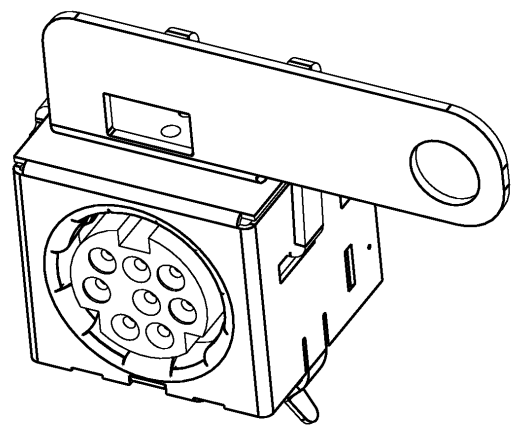
AMP 1470-19 REV 09MAT94
 P10/ENGINEER DRAWING

THIS DRAWING IS UNPUBLISHED. RELEASED FOR PUBLICATION .19 .
 COPYRIGHT 19 BY AMP INCORPORATED. ALL RIGHTS RESERVED.

| LOC | DIST | REVISIONS | | | |
|-----|------|--------------------|------|-----|------|
| F | LTR | DESCRIPTION | DATE | OWN | APVD |
| DY | - | - SEE SHEET 1 OF 2 | - | - | - |



RECOMMENDED PCB LAYOUT
 BOTTOM VIEW
 SCALE 5:1



ISOMETRIC VIEW
 SCALE 5:1

| | | | | |
|---|---|--|---|-------------------------------------|
| <small>THIS DRAWING IS A CONTROLLED DOCUMENT FOR AMP INCORPORATED IT IS SUBJECT TO CHANGE AND THE ORIGINAL DRAWING OR ORGANIZATION SHOULD BE CONTACTED FOR THE LATEST REVISION.</small> | | DWN WYLEE 16SEP99 CHR MARCUS APVD SE LEONG | AMP AMP MANUFACTURING (SINGAPORE) PTE. LTD. | |
| DIMENSIONS: mm | TOLERANCES UNLESS OTHERWISE SPECIFIED: 0 PLC ± 1 PLC ±0.3 2 PLC ±0.25 3 PLC ±0.2 4 PLC ± ANGLES ±° | NAME 8P RIGHT ANGLE CIRCULAR MINIDIN ASSEMBLY WITH GROUND CLIP PRODUCT SPEC 108-1225 APPLICATION SPEC | SIZE A3 CAGE CODE 00779 DRAWING NO. C-84676 | SCALE 3:1 SHEET 2 OF 2 REV A1 |
| MATERIAL SEE SHEET 1 | FINISH SEE SHEET 1 | WEIGHT - CUSTOMER DRAWING | | |