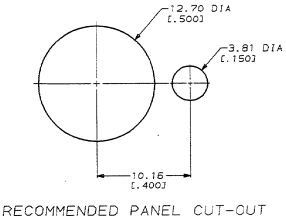
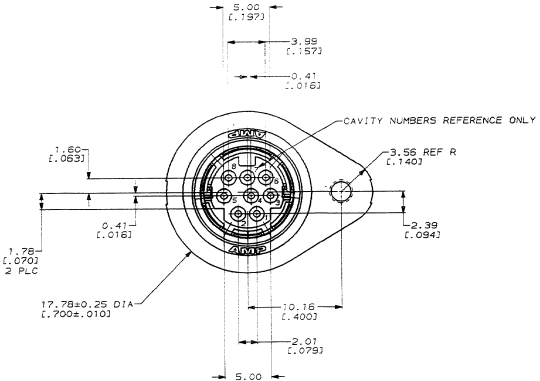
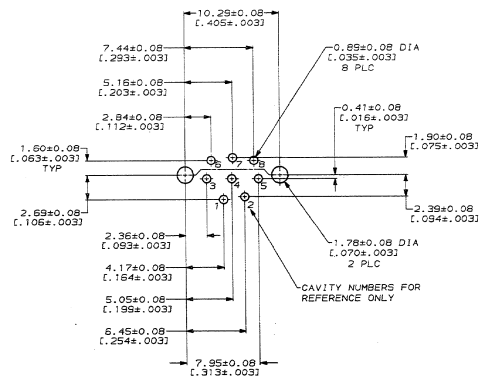
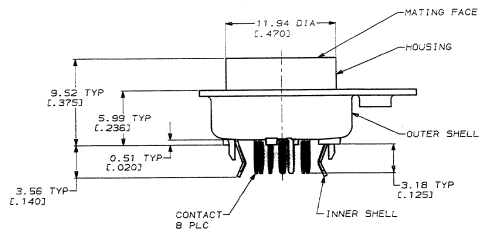


THIS DRAWING IS UNPUBLISHED. RELEASED FOR PUBLICATION BY AMP TECHNOLOGICAL. ALL INFORMATION IS UNCLASSIFIED.

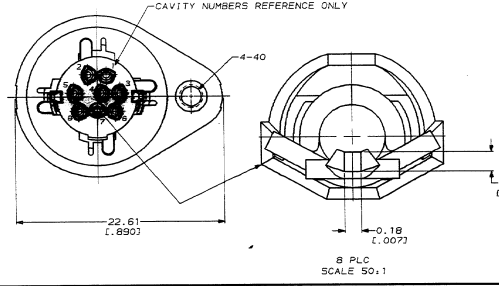
REV	DATE	DESCRIPTION	BY	CHKD
0	8-90	REVISED PER ECN 804681		
1				
2				



- △ SHELLS; BRASS; CONTACTS; PHOSPHOR BRONZE; HOUSING; POLYESTER, UL 94V-0 RATED, BLACK.
- △ 0.76 μm (.000030) MIN GOLD ON MATING END FOR A LENGTH OF 1.37 (.054) MIN ON INSIDE, 2.54 μm (.000100) MIN TIN-LEAD FOR A LENGTH OF 3.30 (.130) MIN FROM OPPOSITE END, ALL OVER 1.27 μm (.000050) MIN NICKEL.
- △ 0.38 μm (.000015) MIN GOLD ON MATING END FOR A LENGTH OF 1.37 (.054) MIN ON INSIDE, 2.54 μm (.000100) MIN TIN-LEAD FOR A LENGTH OF 3.30 (.130) MIN FROM OPPOSITE END, ALL OVER 1.27 μm (.000050) MIN NICKEL.
- △ 2.54 μm (.000100) MIN TIN-LEAD OVER 1.27 μm (.000050) MIN NICKEL.
- △ GOLD PLATING PER MIL-G-45204, TIN PLATING PER MIL-T-10727, NICKEL PLATING PER QQ-N-290, COPPER PLATING PER MIL-C-14550.
- 6. RECEPTACLE ASSEMBLY MATES WITH 8 PIN, 8.99±0.10(.35±.004) DIAMETER PLUS.
- △ 3.81 μm (.000150) MIN TIN-LEAD OVER 2.54 μm (.000100) MIN COPPER.



RECOMMENDED PC BOARD LAYOUT
BOTTOM VIEW



750340-2	CONTACT FINISH	PART NO
750340-1		

DO NOT SCALE PRINT. UNLESS SPECIFIED DIMENSIONS IN INCHES) TOLERANCES ON 3 DEC = 0.001 INCHES	DR 3-400 J MOLYBDEUM CHK 3-5-90 P STONE	NAME RECEPTACLE ASSEMBLY, 8 POSN, LOW FLANGE, SHIELDED, VERTICAL, MINIATURE CIRCULAR DIN
MATERIAL △	APPRO 3-5-90 P WIPRE PRODCTY SPEC	SIZE CASE CODE DRAWING NO D 00779 750340
FINISH △ CONTACTS: SEE TABLE INNER SHELL: △ OUTER SHELL: △	APPLICATION SPEC METHY -	SCALE 5:1 SHEET 1 OF 1

CUSTOMER DRAWING