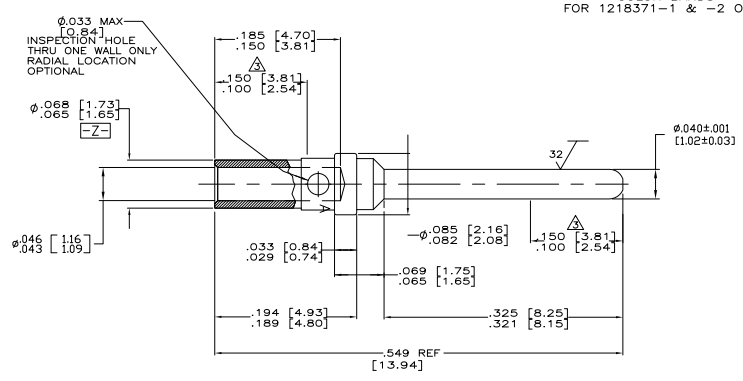
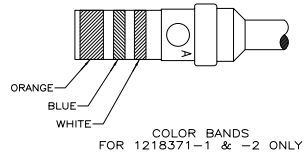


TAPE MOUNTED  
 PART NO 1218371-2 ONLY  
 SCALE 2:1



- △ FINISH: GOLD PLATED PER MIL-C-45204, TYPE II, OVER NICKEL PER QQ-N-290.
- △ FINISH: GOLD PLATED PER MIL-C-45204, TYPE II, OVER COPPER PER MIL-C-14550, CLASS 4.
- △ POINT OF PLATING THICKNESS MEASUREMENT. (2 FLC)
- 4. ALL DIAMETERS  $\pm$  [0.004] UNLESS OTHERWISE SPECIFIED.
- 5. THIS PART COMPLIES WITH MIL-C-39029/64 AND M24308/11-1.
- 6. ALL SURFACES HAVE  $\Delta$ 3 OR BETTER FINISH, UNLESS OTHERWISE SPECIFIED.

| REVISIONS | DESCRIPTION           | DATE    | BY | APP |
|-----------|-----------------------|---------|----|-----|
| A         | REV PER ECO 00-012463 | 6-18-09 | CT | RL  |

| REVISIONS          | DESCRIPTION | DATE      | BY | APP |
|--------------------|-------------|-----------|----|-----|
| WITHOUT COLOR CODE | △           | 1218371-3 |    |     |
| CONTACTS ON TAPE   | △           | 1218371-2 |    |     |
| AS SHOWN           | △           | 1218371-1 |    |     |

|  |            |                                  |                       |                                |          |
|--|------------|----------------------------------|-----------------------|--------------------------------|----------|
| THIS DRAWING IS A CONTROLLED DOCUMENT. |            | DATE: 11-28-99                   | REV: 11-28-99         | BY: TYS                        | APP: TYS |
| DESIGNER: TYS                          | DRAWN: TYS | CHECKED: TYS                     | DATE: 11-28-99        | REV: 11-28-99                  | BY: TYS  |
| PART NAME: #20 PIN CRIMP AMP/LITE      |            | MATERIAL: #20 PIN CRIMP AMP/LITE |                       | FINISH: #20 PIN CRIMP AMP/LITE |          |
| CUSTOMER DRAWING: A1                   |            | DATE: 00779                      | DRAWING NO: G=1218371 | REWORKED TO: ...               |          |
| SCALE: 15:1                            |            | SHEET: 1                         |                       | OF: 1                          |          |