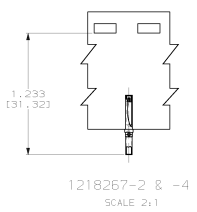
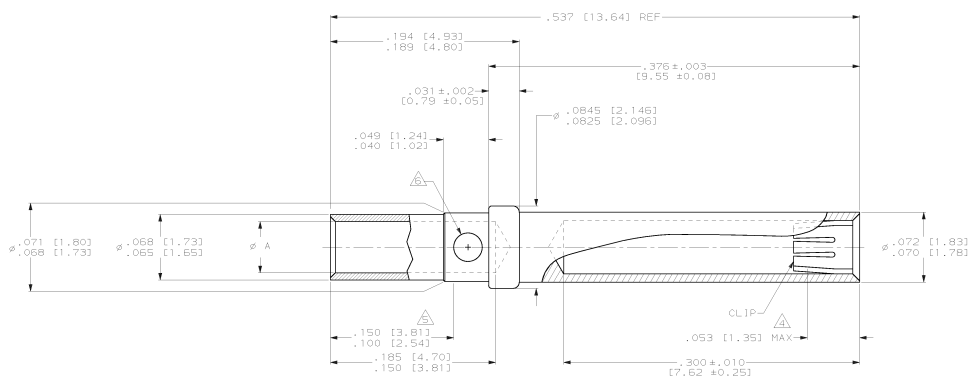


REV	DATE	DESCRIPTION	BY	CHK	APP
DF	DO				
C		REV PER 0630-0471-02		6-02	CT JM



- △ MATERIAL:
BODY: COPPER ALLOY
CLIP: BERYLLIUM COPPER ASTM B 194,
OR AMP ENGINEERING APPROVED EQUIVALENT.
- △ FINISH:
BODY: GOLD PLATE .000010 [0.25μm] MIN THICK ON CONTACT BODY,
OVER NICKEL PLATE .000050 [1.27μm] MIN THICK.
CLIP: GOLD PLATE .000050 [1.27μm] MIN THICK
OVER NICKEL PLATE .000100 [2.54μm] MIN THICK.
- 3. ALL DIMENSIONS SHOWN AFTER PLATING.
- △ POINT WHICH A .039 DIAMETER SQUARE ENDED PIN FIRST
ENGAGES CLIP TINES.
- △ POINT OF PLATING THICKNESS MEASUREMENT.
- △ INSPECTION HOLE THRU ONE WALL ONLY
RADIAL LOCATION OPTIONAL.



REMARKS	DIM A	FINISH	MATERIAL	PART NUMBER
TAPE MOUNTED 20-24 AWG WIRE	.043-.046 [1.09-1.17]	△	△	1218267-4
LOOSE MOUNTED 20-24 AWG WIRE	.043-.046 [1.09-1.17]	△	△	1218267-3
TAPE MOUNTED 18 AWG WIRE	.051-.053 [1.30-1.35]	△	△	1218267-2
LOOSE MOUNTED 18 AWG WIRE	.051-.053 [1.30-1.35]	△	△	1218267-1

THIS DRAWING IS A CONTROLLED DOCUMENT.		DATE REVISIONS	BY	CHK	APP
DESCRIPTION	QUANTITY	DATE			
REV	REV	REV	REV	REV	REV
1	1	1	1	1	1
2	2	2	2	2	2
3	3	3	3	3	3
4	4	4	4	4	4
5	5	5	5	5	5
6	6	6	6	6	6
7	7	7	7	7	7
8	8	8	8	8	8
9	9	9	9	9	9
10	10	10	10	10	10
11	11	11	11	11	11
12	12	12	12	12	12
13	13	13	13	13	13
14	14	14	14	14	14
15	15	15	15	15	15
16	16	16	16	16	16
17	17	17	17	17	17
18	18	18	18	18	18
19	19	19	19	19	19
20	20	20	20	20	20
21	21	21	21	21	21
22	22	22	22	22	22
23	23	23	23	23	23
24	24	24	24	24	24
25	25	25	25	25	25
26	26	26	26	26	26
27	27	27	27	27	27
28	28	28	28	28	28
29	29	29	29	29	29
30	30	30	30	30	30
31	31	31	31	31	31
32	32	32	32	32	32
33	33	33	33	33	33
34	34	34	34	34	34
35	35	35	35	35	35
36	36	36	36	36	36
37	37	37	37	37	37
38	38	38	38	38	38
39	39	39	39	39	39
40	40	40	40	40	40
41	41	41	41	41	41
42	42	42	42	42	42
43	43	43	43	43	43
44	44	44	44	44	44
45	45	45	45	45	45
46	46	46	46	46	46
47	47	47	47	47	47
48	48	48	48	48	48
49	49	49	49	49	49
50	50	50	50	50	50
51	51	51	51	51	51
52	52	52	52	52	52
53	53	53	53	53	53
54	54	54	54	54	54
55	55	55	55	55	55
56	56	56	56	56	56
57	57	57	57	57	57
58	58	58	58	58	58
59	59	59	59	59	59
60	60	60	60	60	60
61	61	61	61	61	61
62	62	62	62	62	62
63	63	63	63	63	63
64	64	64	64	64	64
65	65	65	65	65	65
66	66	66	66	66	66
67	67	67	67	67	67
68	68	68	68	68	68
69	69	69	69	69	69
70	70	70	70	70	70
71	71	71	71	71	71
72	72	72	72	72	72
73	73	73	73	73	73
74	74	74	74	74	74
75	75	75	75	75	75
76	76	76	76	76	76
77	77	77	77	77	77
78	78	78	78	78	78
79	79	79	79	79	79
80	80	80	80	80	80
81	81	81	81	81	81
82	82	82	82	82	82
83	83	83	83	83	83
84	84	84	84	84	84
85	85	85	85	85	85
86	86	86	86	86	86
87	87	87	87	87	87
88	88	88	88	88	88
89	89	89	89	89	89
90	90	90	90	90	90
91	91	91	91	91	91
92	92	92	92	92	92
93	93	93	93	93	93
94	94	94	94	94	94
95	95	95	95	95	95
96	96	96	96	96	96
97	97	97	97	97	97
98	98	98	98	98	98
99	99	99	99	99	99
100	100	100	100	100	100