

4

3

2

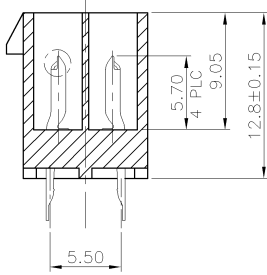
1

THIS DRAWING IS UNPUBLISHED. RELEASED FOR PUBLICATION AUG. 2006.  
 © COPYRIGHT - BY TYCO ELECTRONICS CORPORATION. ALL RIGHTS RESERVED.

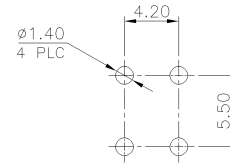
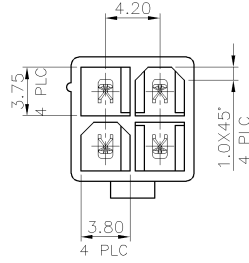
LOC	DIST	REVISIONS				
P	LTR	DESCRIPTION	DATE	DWN	APVD	
DW	-	C	REVISED (ECR-10-025182, CHANGE TO MATTE-TIN)	31JAN'11	EL	WK

NOTE:

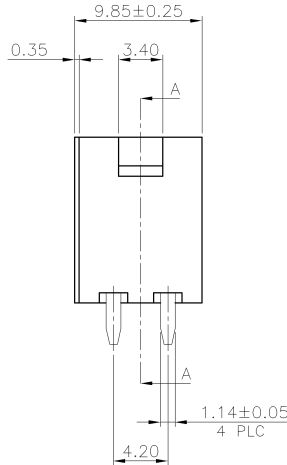
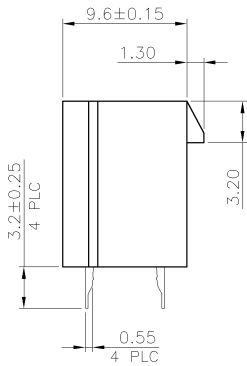
- MATERIAL:  
HOUSING: PA46 UL 94V-0, COLOR: (SEE TABLE).  
CONTACTS: BRASS.
- FINISH:  
CONTACTS: 3.05um [120u"] MIN. MATTE-TIN  
1.27um [50u"] MIN. NICKEL UNDERPLATED ALL OVER.  
109-202, CONDITION B.
- WAVE SOLDER CAPABLE TO 265°C PER TEST SPEC.
- WEIGHT: SEE TABLE.
- OBsolete PARTS: OBSOLETE CIS STREAMLINING PER D.RENAUD/D.SINISI



SECTION A-A



RECOMMENDED PCB LAYOUT (T=1.6MM)  
 (TOLERANCE: ±0.05)



△ ( FOR -1 AND -2 )

	1.18	W/O	W/	NATURAL	1734385-8
△ OBSOLETE				IVORY (WARM GRAY 1U)	-1734385-7-
	1.18	W/	W/O	NATURAL	1734385-6
△ OBSOLETE				IVORY (WARM GRAY 1U)	<del>1734385-5</del>
	1.21	W/	W/	NATURAL	1734385-4
△ OBSOLETE				IVORY (WARM GRAY 1U)	<del>1734385-3</del>
	1.15	W/O	W/O	NATURAL	1734385-2
				IVORY (WARM GRAY 1U)	-1734385-1-
	NET WEIGHT gm/PCS	LEFT BOARDLOCK	RIGHT BOARDLOCK	HSG.COLOR	PART NUMBER

THIS DRAWING IS A CONTROLLED DOCUMENT.		DWN B. HSING 28JUL2009	Tyco Electronics Tyco Electronics Corporation Taipei, Taiwan		
DIMENSIONS: MM		CHK S. CHIEN 28JUL2009	NAME		
TOLERANCES UNLESS OTHERWISE SPECIFIED:		APVD W. KODAMA 28JUL2009	PRODUCT SPEC		
0 PLC ± -		108-57394			
1 PLC ± 0.30		APPLICATION SPEC			
2 PLC ± 0.20		501-57426			
3 PLC ± 0.15		WEIGHT SEE TABLE			
4 PLC ± -		SIZE A3 CAGE CODE DRAWING NO RESTRICTED TO			
ANGLES ± 3°		A3 00779 C-1734385			
MATERIAL SEE NOTE	FINISH SEE NOTE	CUSTOMER DRAWING		SCALE -	SHEET 1 OF 3 REV C

4

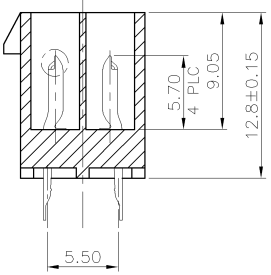
3

2

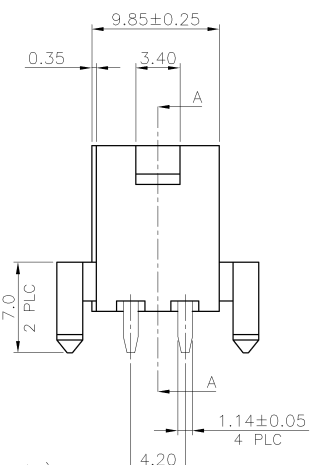
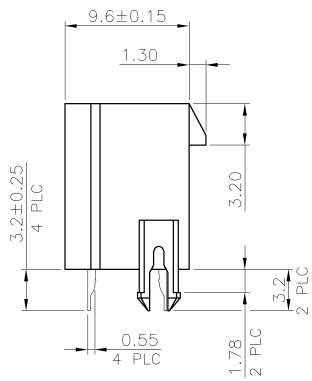
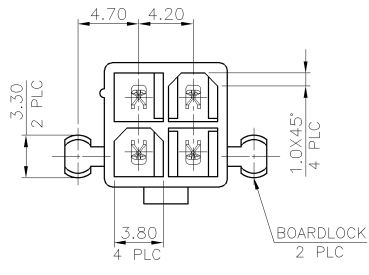
1

THIS DRAWING IS UNPUBLISHED. RELEASED FOR PUBLICATION AUG. 2006.  
 COPYRIGHT BY TYCO ELECTRONICS CORPORATION. ALL RIGHTS RESERVED.

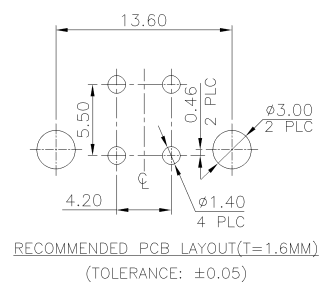
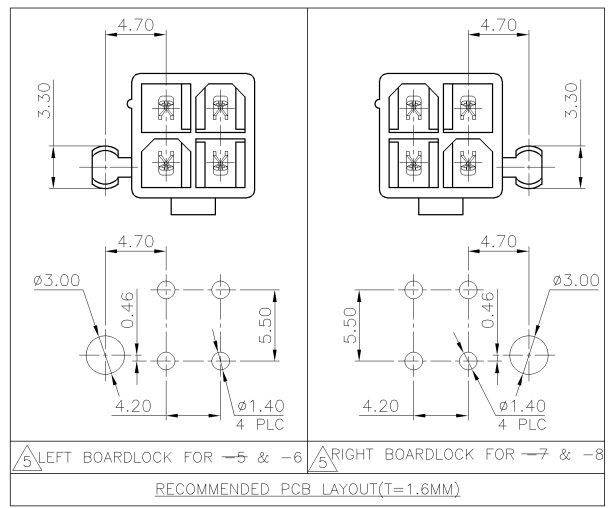
LOC	DIST	REVISIONS			
P	LTR	DESCRIPTION	DATE	DWN	APVD
DW	-	SEE SHEET 1.			



SECTION A-A



△5 ( FOR -3 AND -4 )



THIS DRAWING IS A CONTROLLED DOCUMENT.		DWN	Tyco Electronics		Tyco Electronics Corporation
DIMENSIONS: MM		CHK	-		Taipei, Taiwan
TOLERANCES UNLESS OTHERWISE SPECIFIED:		APVD	-		
0 PLC ± -		PRODUCT SPEC	-		
1 PLC ± 0.30		APPLICATION SPEC	-		
2 PLC ± 0.20		SIZE	A3	CAGE CODE	00779
3 PLC ± 0.15		DRAWING NO	C=1734385		RESTRICTED
4 PLC ± -		WEIGHT	SEE TABLE		
ANGLES ± °		CUSTOMER DRAWING	SCALE	SHEET	2 OF 3
MATERIAL	FINISH	SEE NOTE	SEE NOTE	REV	C

4

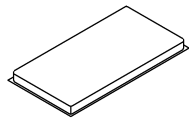
3

2

1

THIS DRAWING IS UNPUBLISHED. RELEASED FOR PUBLICATION AUG. 2006.  
 © COPYRIGHT BY TYCO ELECTRONICS CORPORATION. ALL RIGHTS RESERVED.

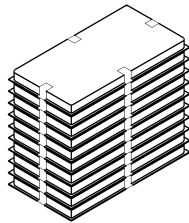
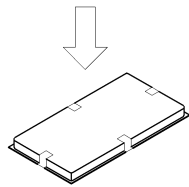
LOC	DIST	REVISIONS			
P	LTR	DESCRIPTION	DATE	DWN	APVD
DW	-	SEE SHEET 1.			



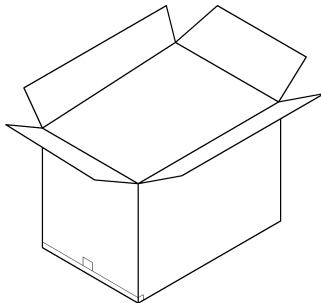
TOP COVER



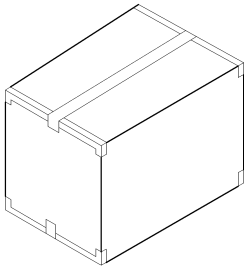
TRAY



10 TRAY



BOX



NOTES:

- 1. TRAY: PVC, SIZE: 330mm(L)X 265mm(W)X 22mm(H).
- 2. BOX: CORRUGATED, SIZE: 350mm(L)X 279mm(W)X 195mm(H).
- 3. QUANTITY: SEE TABLE.

6.56	4.96	420	10	4200	W/O	W/
6.56	4.96	420	10	4200	W/	W/O
5.96	4.36	360	10	3600	W/	W/
7.12	5.52	480	10	4800	W/O	W/O
GROSS WEIGHT	NET WEIGHT	PCS /TRAY	TRAYS /BOX	PCS /BOX	LEFT BOARDLOCK	RIGHT BOARDLOCK

THIS DRAWING IS A CONTROLLED DOCUMENT.		DWN	Tyco Electronics Corporation Taipei, Taiwan			
DIMENSIONS: MM		CHK	NAME			
TOLERANCES UNLESS OTHERWISE SPECIFIED:		APVD	PRODUCT SPEC			
0 PLC ± -		APPLICATION SPEC		SIZE		RESTRICTED TO
1 PLC ± 0.30		WEIGHT		CAGE CODE	DRAWING NO	
2 PLC ± 0.20		SEE TABLE		00779	1734385	
3 PLC ± 0.15		MATERIAL		CUSTOMER DRAWING		
4 PLC ± -		FINISH		SCALE		SHEET
ANGLES ± °		SEE NOTE		3 of 3		REV C

AMP 1470-19 REV 31MAR2000