

4

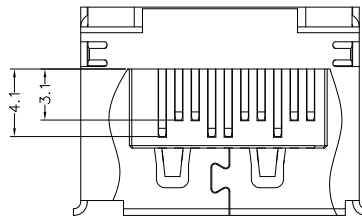
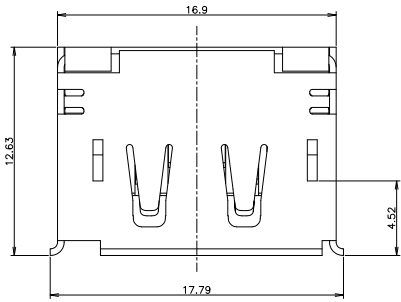
3

2

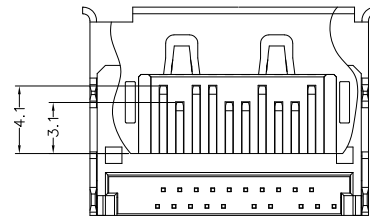
1

THIS DRAWING IS UNPUBLISHED. RELEASED FOR PUBLICATION JAN. 2008.  
 © COPYRIGHT 2008 BY - ALL RIGHTS RESERVED.

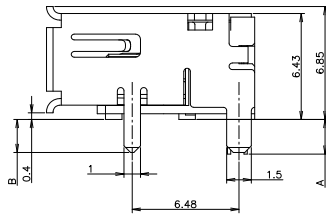
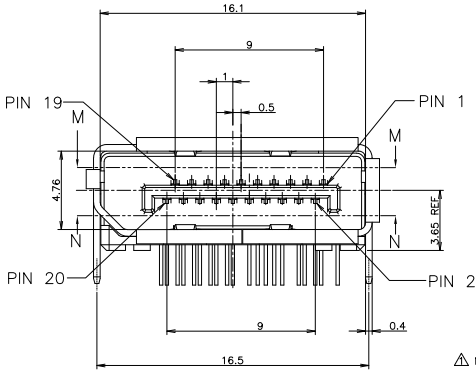
LOC	DIST	REV	REVISIONS	DATE	BY	APP'D
DW		F	LR			
		C1	REVISED PER ECO-11-005027	11MAR11	RK	HMR



© M-M



© N-N



- △ MATERIAL:  
HOUSING: HIGH TEMPERATURE THERMAL PLASTIC, BLACK, UL94V-0.  
CONTACT: COPPER ALLOY.  
SHELL: COPPER ALLOY.
- △ FINISH:  
CONTACT:  
CONTACT AREA: GOLD PLATING (SEE TABLE)  
SOLDER TAIL AREA: 2.54 MINIMUM MICRON MATTE TIN PLATING.  
UNDER PLATING: 1.27 MINIMUM MICRON NICKEL PLATING OVERALL.  
SHELL:
- ② 2.0 MINIMUM MICRON NICKEL UNDERPLATING ALL OVER
- ③ 3. LOW HALOGEN SPECIFICATION  
CHLORINE(C) : 900 ppm MAX.  
BROMINE(Br) : 900 ppm MAX.  
CHLORINE(C) & BROMINE(Br) : 1500 ppm MAX.

DIM	DIM A	DIM B	Δ Au (MIN. um)	P/N	PACKING	
①	1.8	1.8	0.76	9-	-1	SEE SHEET 5
			GOLD FLASH	4-	-3	SEE SHEET 4
②	1.8	1.8	0.38	4-	-2	SEE SHEET 4
			0.76	4-	-1	SEE SHEET 4
2	2.1		GOLD FLASH	4-	-3	SEE SHEET 3
			0.38	4-	-2	SEE SHEET 3
			0.76	2040451-1	SEE SHEET 3	

THIS DRAWING IS A CONTROLLED DOCUMENT.

DIM	Y. HIRATA	19MAR2008
CHK	T. KUSUHARA	19MAR2008
APP	T. KUSUHARA	19MAR2008
NAME	TE Connectivity	
PRODUCT SPEC	RECEPTACLE ASSEMBLY	
APPLICATION SPEC	DISPLAYPORT RA TH 2ROW TINE	
REVISIONS	08-78515	
SIZE	A2	00779
DATE	2040451	
CUSTOMER DRAWING	SCALE	6:1
	SHEET	1 of 5
	REV	C1

4

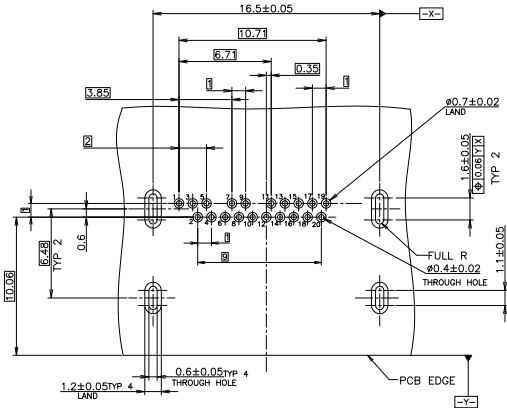
3

2

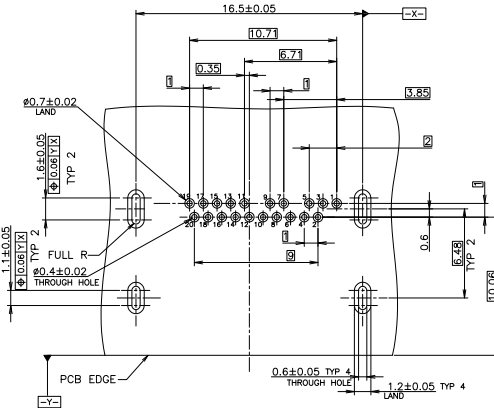
1

THIS DRAWING IS UNPUBLISHED. RELEASED FOR PUBLICATION JAN. 2008.  
 ALL RIGHTS RESERVED.  
 © COPYRIGHT 2008 BY -

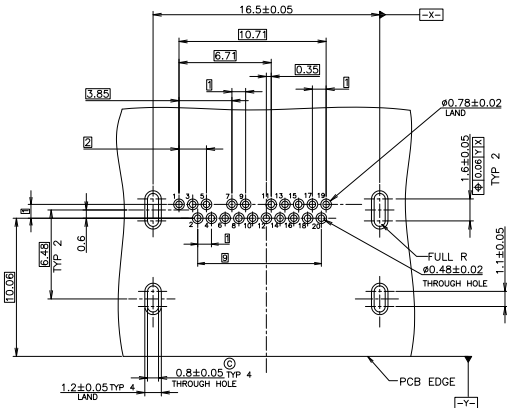
LOC	DIST	REVISIONS	DATE	BY	APPD
J		F LWR			
		SEE SHEET 1			



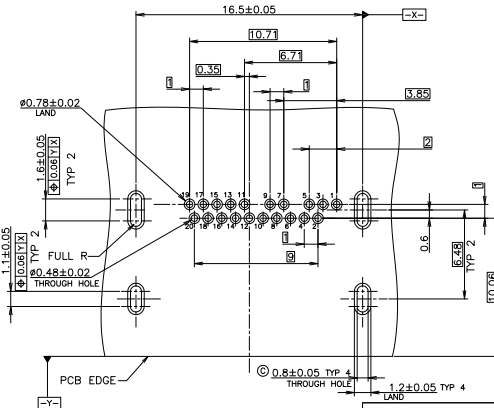
RECOMMENDED PCB LAYOUT (THICKNESS=1.6±0.1)  
 BOTTOM VIEW  
 (FOR 2040451-1 ~ -3)



RECOMMENDED PCB LAYOUT (THICKNESS=1.6±0.1)  
 TOP VIEW  
 (FOR 2040451-1 ~ -3)



RECOMMENDED PCB LAYOUT (THICKNESS=1.6±0.1)  
 BOTTOM VIEW  
 (FOR 4-2040451-1 ~ -3)  
 (FOR 9-2040451-1)



RECOMMENDED PCB LAYOUT (THICKNESS=1.6±0.1)  
 TOP VIEW  
 (FOR 4-2040451-1 ~ -3)  
 (FOR 9-2040451-1)

NOTE: THE DIFFERENCE IS THE LAND DIAMETER.

THIS DRAWING IS A CONTROLLED DOCUMENT.		OWN	TE Connectivity
DIMENSIONS: 0.1mm		APPC	NAME
TOLERANCES UNLESS OTHERWISE SPECIFIED:		PRODUCT SPEC	RECEPTACLE ASSEMBLY
0 P.L.C.	± 0.3	APPLICATION SPEC	DISPLAYPORT RA TH 2ROW TIME
1 P.L.C.	± 0.3	REFERENCE	
2 P.L.C.	± 0.3	SIZE	A2
3 P.L.C.	± 0.3	ONE CODE	00779
4 P.L.C.	± 0.3	DRAWING NO	2040451
ANGLES	± 7	RESTRICTED	
FINISH	± 7	SCALE	1:1
MATERIAL		CUSTOMER DRAWING	SHEET 2 of 5
			REV C1

4

3

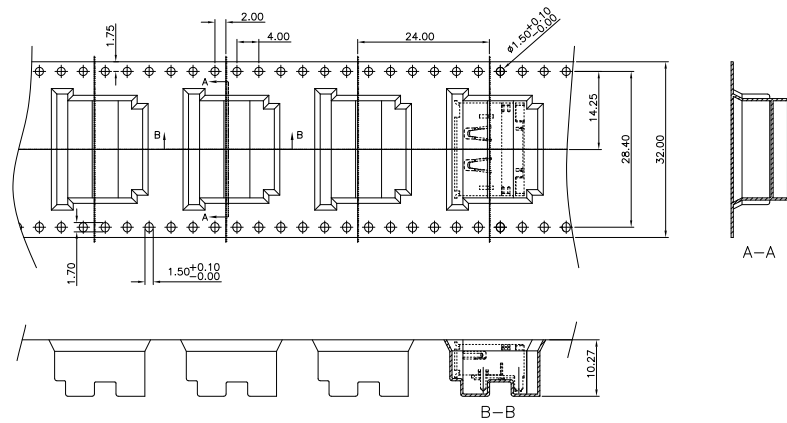
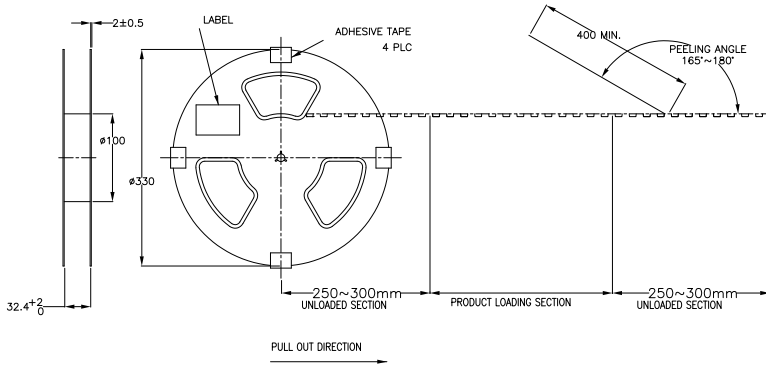
2

1

THIS DRAWING IS UNPUBLISHED. RELEASED FOR PUBLICATION JAN. 2008.  
 © COPYRIGHT 2008 BY ALL RIGHTS RESERVED.

LOC	DIST	REVISIONS				
F	LR	REV	DESCRIPTION	DATE	DWN	APVD
-	-	1	SEE SHEET 1	-	-	-

PACKING FOR 2040451-1 ~ -3



- 1 PRIMARY PACKING: 250PCS /REEL;
- 2 PEELING RESISTANCE: 0.1~0.7N (10.2gf~71.4gf).
- 3 PEELING SPEED: 300mm/minutes.
- 4 CARRIER TAPES, COVER TAPES, REELS AND TAPED COMPONENTS MUST MEET THE REQUIREMENTS DEFINED PER EIA-481-B.

THIS DRAWING IS A CONTROLLED DOCUMENT.		DWN	TE Connectivity	
DIMENSIONS: 尺寸 (mm)		CHK	RECEPTACLE ASSEMBLY	
TOLERANCES UNLESS OTHERWISE SPECIFIED: 公差 (mm)		NAME	DISPLAYPORT RA TH 2ROW TINE	
0 PLC ± 0.3	1 PLC ± 0.3	PRODUCT SPEC	SIZE CAGE CODE DRAWING NO	
2 PLC ± 0.3	3 PLC ± 0.3	APPLICATION SPEC	A2 00779 2040451	
4 PLC ± 0.3	ANGLES ± 0.5°	FINISH	CUSTOMER DRAWING	
MATERIAL		WEIGHT	SCALE	SHEET 3 of 5
FINISH		CUSTOMER DRAWING	SCALE	REV C1

1471-9 (3/13)

2040451

A

4

3

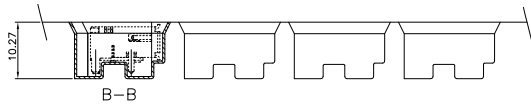
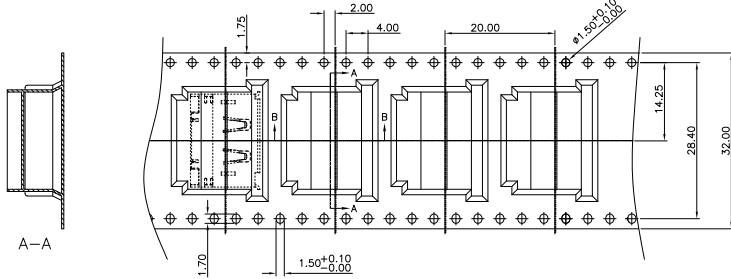
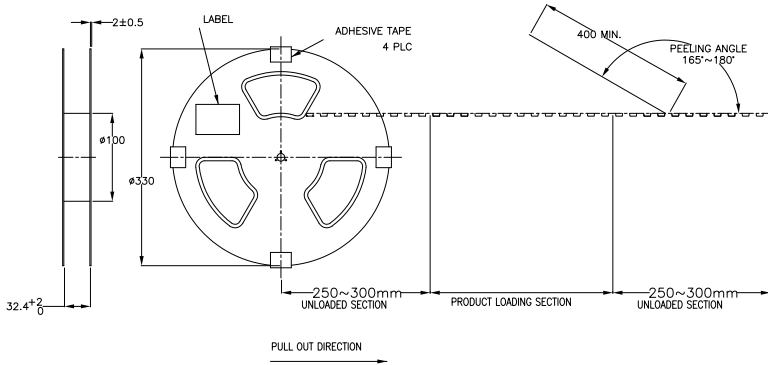
2

1

THIS DRAWING IS UNPUBLISHED. RELEASED FOR PUBLICATION JAN. 2008.  
 ALL RIGHTS RESERVED. © COPYRIGHT 2008 By -

LOC	DIST	REVISIONS				
J	F	REV	DESCRIPTION	DATE	BY	APP'D
		-	SEE SHEET 1	-	-	-

⊕PACKING FOR 4-2040451-1 ~ -3



- 1 PRIMARY PACKING: 250PCS /REEL;
- 2 PEELING RESISTANCE: 0.1~0.7N (10.2gf~71.4gf).
- 3 PEELING SPEED: 300mm/minutes.
- 4 CARRIER TAPES, COVER TAPES, REELS AND TAPED COMPONENTS MUST MEET THE REQUIREMENTS DEFINED PER EIA-481-B.

THIS DRAWING IS A CONTROLLED DOCUMENT.		DWG CHK		TE Connectivity	
DIMENSIONS 尺 寸 mm		TOLERANCES UNLESS OTHERWISE SPECIFIED 公差 除非另有规定		NAME 姓名	
0 PLC ± 0.3		PRODUCT SPEC 产品规格		RECEPTACLE ASSEMBLY DISPLAYPORT RA TH 2ROW TINE	
1 PLC ± 0.3		APPLICATION SPEC 应用规格		SIZE CASE CODE DRAWING NO 尺寸 壳号 图号	
2 PLC ± 0.3		MATERIAL 材料		A2 00779 C=2040451	
3 PLC ± 0.3		FINISH 表面处理		RESTRICTED TO 限制	
4 PLC ± 0.3		CUSTOMER DRAWING		SCALE NTS SHEET 4 of 5 REV C1	

4

3

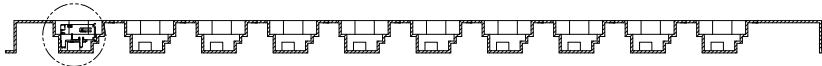
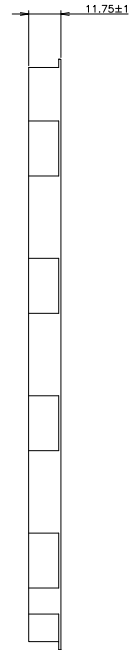
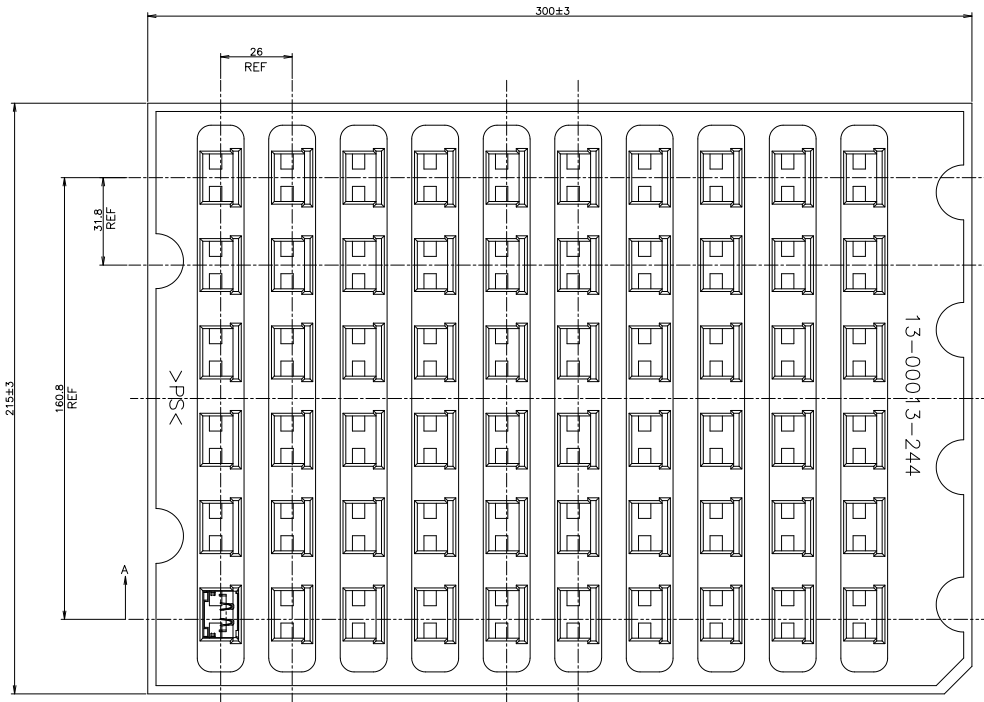
2

1

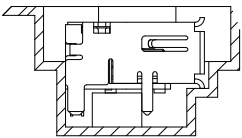
THIS DRAWING IS UNPUBLISHED. RELEASED FOR PUBLICATION JAN. 2008.  
 © COPYRIGHT 2008 BY - ALL RIGHTS RESERVED.

LOC	DIST	REVISIONS		
F	LNK	DESCRIPTION	DATE	BY
-	-	SEE SHEET 1	-	-

© PACKING FOR 9-2040451-1



SECTION A-A



- NOTES:
1. PACKING MATERIAL TO BE MET TE CONNECTIVITY SPEC 230-702  
 .CADMIUM AND CADMIUM COMPOUNDS CONTENT:  
 5ppm UNDER(PLASTIC,RUBBER,INK,PINMENT,PAINT)  
 .LEAD,CADMIUM,CHROM VI AND MERCURY CONTENT:  
 100ppm(COMBINED)UNDER.(IN PACKAGING MATERIAL)
  2. MATERIAL: FS, WHITE; T=0.8mm.
  3. 60 Pcs/ TRAY

THIS DRAWING IS A CONTROLLED DOCUMENT.		DRN	TE Connectivity	
DIMENSIONS: 0.1mm		CHK	RECEPTACLE ASSEMBLY	
TOLERANCES UNLESS OTHERWISE SPECIFIED:		NAME	DISPLAYPORT RA TH 2ROW TINE	
0 PLC	± 0.3	PRODUCT SPEC	RESTRICTED	
1 PLC	± 0.3	APPLICATION SPEC	SIZE	CAGE CODE
2 PLC	± 0.3	REFERENCE	A2	00779
3 PLC	± 0.3	WEIGHT	DRAWING NO	
4 PLC	± 0.3	CUSTOMER DRAWING	C=2040451	
ANGLES	± 0.2	SCALE		
FINISH	± 0.2	NTS		
		SHEET 5 of 5		
		REV C1		