

THIS DRAWING IS UNPUBLISHED. RELEASED FOR PUBLICATION SEP. 2005. ALL RIGHTS RESERVED.

1 CONTACT COPLANALITY IS 0.1 MAX.  
 THIS DIMENSION MEANS CENTER OF THE POCKET.  
 M3 TAPPING + BVTP RECOMMENDED TORQUE: 68.6N (7Kgf) MAX.  
 FINISH  
 CONTACT: V μm MIN. Au PL. ON CONTACT AREA (V: SEE TABLE)  
 0.03~0.1 μm Au PL. ON TERMINAL AREA  
 Ni UNDER PL. ALL OVER  
 SHELL: Sn PL. (MATTE) ALL OVER  
 Ni UNDER PL. ALL OVER  
 SCREW SIZE  
 QTY PRINT ON THE LABEL. (EMBOSS PACKING)

1 コンタクトコプラナリティーは 0.1 以下。  
 本寸法はポケットの中心を表す。  
 M3 TAPPING + BVTP 推奨トルク: 68.6N (7Kgf) 以下。  
 仕上  
 コンタクト: コンタクトエリアに V μm 以上の 金めっき (V: 表参照)  
 ターミナルエリアに 0.03~0.1 μm の 金めっき  
 ニッケル下地めっきを施す  
 シェル: すずめっき (つや消し)  
 ニッケル下地めっきを施す  
 スクリューサイズ  
 数量はラベルに印字される (EMBOSS 標色)

LOC	DIST	REV	DESCRIPTION	DATE	DMN	APVD
		R	REVISED PER ECR-11-006365	28MAR2011	A.L	S.Y

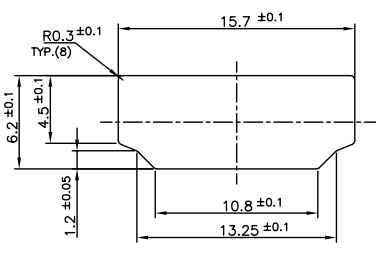
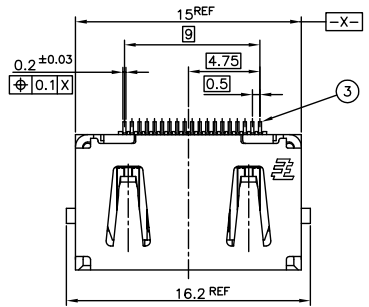
QTY	PLC	SIZE	AA	S	R	P	N	M	L	K	J	H	G	F	E	WITHOUT TAPE	WITH FLANGE	THROUGH HOLE	DESCRIPTION	EMBOSS	PART NUMBER
0.3	-	70	1.9	-	-	-	-	33.5	37.5	9.32	0.4	32	28.4	14.2	16	WITHOUT TAPE	WITHOUT FLANGE	THROUGH HOLE	(SEE SHEET 2)	SOFT TRAY (SEE SHEET 11)	6-1903015-3
0.76	M3 x 0.5	70	1.9	46	138	6-23	46	-	-	-	-	-	-	-	-	WITH TAPE	WITH FLANGE	THROUGH HOLE	(SEE SHEET 3)	SOFT TRAY (SEE SHEET 7)	9-1903015-4
0.3	M3 x 0.5	200	1.9	-	-	-	-	45.5	49.5	18.3	0.5	44	40.4	20.2	20	WITH TAPE	WITH FLANGE	THROUGH HOLE	(SEE SHEET 3)	EMBOSS (SEE SHEET 6)	9-1903015-3
0.3	M3 x 0.5	70	1.9	-	-	-	-	-	-	-	-	-	-	-	-	WITHOUT TAPE	WITH FLANGE	THROUGH HOLE	(SEE SHEET 3)	SOFT TRAY (SEE SHEET 10)	8-1903015-4
0.1	-	550	1.9	-	-	-	-	33.5	37.5	9.32	0.4	32	28.4	14.2	16	WITHOUT TAPE	WITHOUT FLANGE	THROUGH HOLE	(SEE SHEET 2)	EMBOSS (SEE SHEET 6)	7-1903015-1
0.3	M3 x 0.5	200	1.9	-	-	-	-	45.5	49.5	18.3	0.5	44	40.4	20.2	20	WITHOUT TAPE	WITH FLANGE	FULL SMT	(SEE SHEET 5)	EMBOSS (SEE SHEET 6)	5-1903015-9
0.3	-	550	0.8	-	-	-	-	33.5	37.5	9.32	0.4	32	28.4	14.2	16	WITHOUT TAPE	WITHOUT FLANGE	THROUGH HOLE	(SEE SHEET 2)	EMBOSS (SEE SHEET 6)	5-1903015-5
0.3	M3 x 0.5	70	1.9	46	138	6-23	46	-	-	-	-	-	-	-	-	WITHOUT TAPE	WITH FLANGE	THROUGH HOLE	(SEE SHEET 3)	SOFT TRAY (SEE SHEET 7)	5-1903015-4
0.3	M3 x 0.5	200	1.9	-	-	-	-	45.5	49.5	18.3	0.5	44	40.4	20.2	20	WITHOUT TAPE	WITH FLANGE	THROUGH HOLE	(SEE SHEET 3)	EMBOSS (SEE SHEET 6)	5-1903015-3
0.3	∅2.65±0.3	70	1.9	46	138	6-23	46	-	-	-	-	-	-	-	-	WITHOUT TAPE	WITH FLANGE	THROUGH HOLE	(SEE SHEET 3)	SOFT TRAY (SEE SHEET 7)	5-1903015-2
0.3	-	400	1.9	-	-	-	-	33.5	37.5	9.32	0.4	32	28.4	14.2	16	WITHOUT TAPE	WITHOUT FLANGE	THROUGH HOLE	(SEE SHEET 2)	EMBOSS (SEE SHEET 6)	5-1903015-1
0.3	M3 x 0.5	70	1.0	46	138	6-23	46	-	-	-	-	-	-	-	-	WITHOUT TAPE	WITH FLANGE	THROUGH HOLE	(SEE SHEET 3)	SOFT TRAY (SEE SHEET 7)	4-1903015-1
0.76	-	400	1.2	-	-	-	-	33.5	37.5	9.32	0.4	32	28.4	14.2	16	WITHOUT TAPE	WITHOUT FLANGE	THROUGH HOLE	(SEE SHEET 2)	EMBOSS (SEE SHEET 6)	2-1903015-2
0.76	M3 x 0.5	70	1.9	-	-	-	-	-	-	-	-	-	-	-	-	WITHOUT TAPE	WITH FLANGE	THROUGH HOLE	(SEE SHEET 3)	SOFT TRAY (SEE SHEET 9)	1903015-8
0.76	∅2.65±0.3	70	1.9	-	-	-	-	-	-	-	-	-	-	-	-	WITHOUT TAPE	WITH FLANGE	THROUGH HOLE	(SEE SHEET 3)	SOFT TRAY (SEE SHEET 9)	1903015-7
0.76	M3 x 0.5	50	1.9	54.4	120	4-30	54.4	-	-	-	-	-	-	-	-	WITHOUT TAPE	WITH FLANGE	THROUGH HOLE	(SEE SHEET 3)	SOFT TRAY (SEE SHEET 9)	1903015-5
0.76	M3 x 0.5	70	1.9	46	138	6-23	46	-	-	-	-	-	-	-	-	WITHOUT TAPE	WITH FLANGE	THROUGH HOLE	(SEE SHEET 4)	SOFT TRAY (SEE SHEET 8)	1903015-4
0.76	M3 x 0.5	200	1.9	-	-	-	-	45.5	49.5	18.3	0.5	44	40.4	20.2	20	WITHOUT TAPE	WITH FLANGE	THROUGH HOLE	(SEE SHEET 4)	EMBOSS (SEE SHEET 6)	1903015-3
0.76	∅2.65±0.3	70	1.9	46	138	6-23	46	-	-	-	-	-	-	-	-	WITHOUT TAPE	WITH FLANGE	THROUGH HOLE	(SEE SHEET 3)	SOFT TRAY (SEE SHEET 7)	1903015-2
0.76	-	400	1.9	-	-	-	-	33.5	37.5	9.32	0.4	32	28.4	14.2	16	WITHOUT TAPE	WITHOUT FLANGE	THROUGH HOLE	(SEE SHEET 2)	EMBOSS (SEE SHEET 6)	1903015-1

<p>THIS DRAWING IS A CONTROLLED DOCUMENT.</p> <p>DIMENSIONS: 単位: 概 mm</p> <p>TOLERANCES UNLESS OTHERWISE SPECIFIED: 一般公差</p> <p>0 PLC ±          1 PLC ±          2 PLC ±          3 PLC ±          4 PLC ±          ANGLES ±</p> <p>FINISH 仕上</p>	<p>DMN R. MURAYAMA 26SEP2005</p> <p>CHK T. KIMURA 26SEP2005</p> <p>APVD T. KIMURA 26SEP2005</p> <p>PRODUCT SPEC 製品仕様</p> <p>APPLICATION SPEC 取付適用規格</p> <p>108-78180-2</p> <p>WEIGHT</p>	<p>TE Connectivity</p> <p>HDMI 19 POS RECEPTACLE ASSY SMT SHORT TYPE</p> <p>SIZE A3 CAGE CODE 00779 DRAWING NO. 1903015</p> <p>RESTRICTED TO</p>
--	--	--

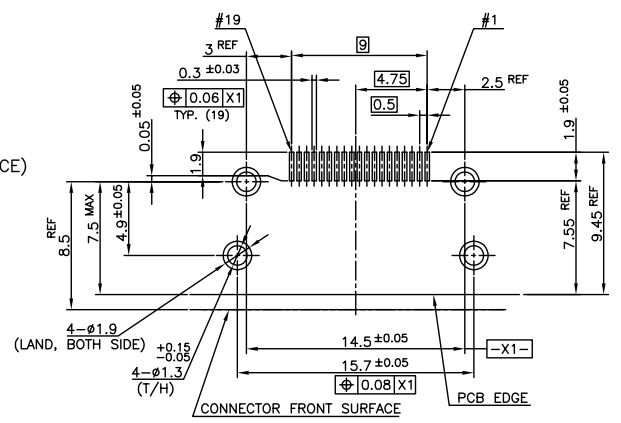
1470-19 (3/11)

THIS DRAWING IS UNPUBLISHED. RELEASED FOR PUBLICATION SEP, 2005.  
 © COPYRIGHT 2005 By - ALL RIGHTS RESERVED.

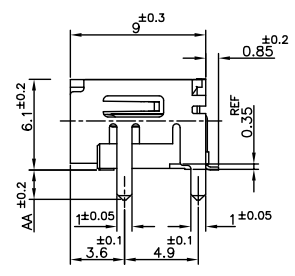
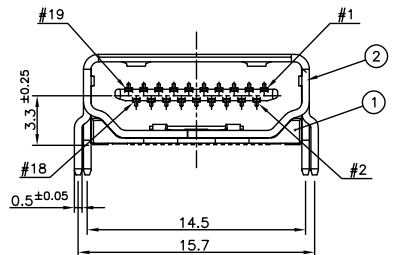
LOC	DIST	REVISIONS			
P	LTR	DESCRIPTION	DATE	DWN	APVD
-	-	SEE SHEET 1	-	-	-



PANEL CUT OUT DIMENSION (REFERENCE)

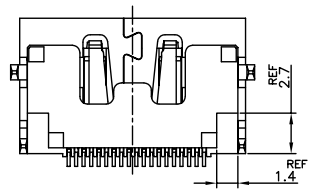


P.C.B LAYOUT (REFERENCE)  
 SHOWN AS CONNECTOR MOUNTING SIDE  
 TOLERANCE: NON-CUMULATIVE



CONNECTOR: WITHOUT FLANGE THROUGH HOLE TYPE

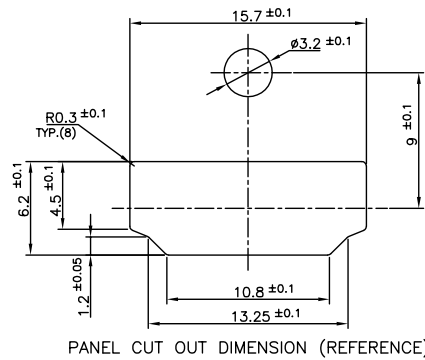
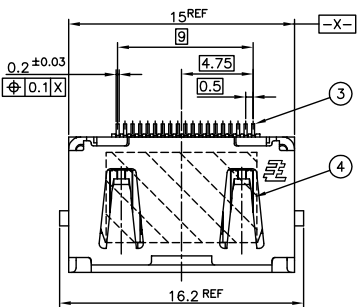
BRASS	CONTACT	(3)
PHOSPHOR BRONZE	SHELL	(2)
GLASS FILLED LCP UL94V-0, BLACK COLOR	HOUSING	(1)
MATERIAL	DESCRIPTION	ITEM



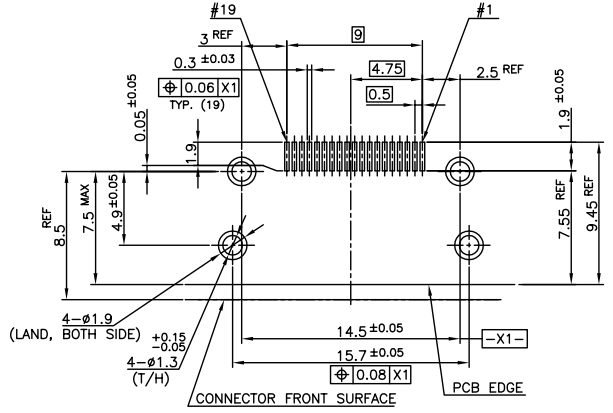
THIS DRAWING IS A CONTROLLED DOCUMENT.		DWN		
DIMENSIONS: 單位: 毫米		CHK		
TOLERANCES UNLESS OTHERWISE SPECIFIED: 公差		APVD		
0 PLC	±	PRODUCT SPEC	HDMI 19 POS RECEPTACLE ASSY	
1 PLC	±	製品規格	SMT SHORT TYPE	
2 PLC	±	APPLICATION SPEC	SIZE	A3
3 PLC	±	取得適用規格	CAGE CODE	00779
4 PLC	±	FINISH	DRAWING NO	C=1903015
ANGLES	±	MATERIAL	REV	R
		FINISH	SCALE	4:1
		FINISH	SHEET	2 OF 12
		FINISH	REV	R
CUSTOMER DRAWING		TE Connectivity		

THIS DRAWING IS UNPUBLISHED. RELEASED FOR PUBLICATION SEP. 2005.  
 © COPYRIGHT 2005 By - ALL RIGHTS RESERVED.

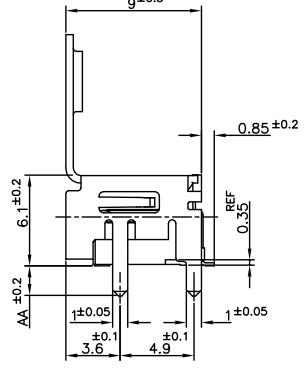
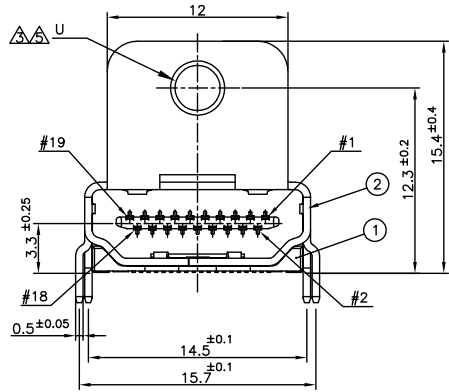
LOC	DIST	REVISIONS				
		REV	DESCRIPTION	DATE	DWN	APVD
		-	SEE SHEET 1	-	-	-



PANEL CUT OUT DIMENSION (REFERENCE)



P.C.B LAYOUT (REFERENCE)  
 SHOWN AS CONNECTOR MOUNTING SIDE  
 TOLERANCE: NON-CUMULATIVE



CONNECTOR: WITH FLANGE THROUGH HOLE TYPE

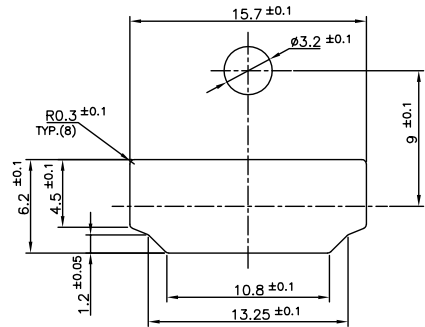
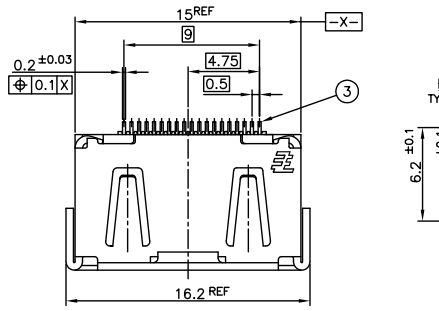
MATERIAL	DESCRIPTION	ITEM
POLYIMIDE	TAPE	(4)
BRASS	CONTACT	(3)
PHOSPHOR BRONZE	SHELL	(2)
GLASS FILLED LCP UL94V-0, BLACK COLOR	HOUSING	(1)

THIS DRAWING IS A CONTROLLED DOCUMENT.		DWN		
DIMENSIONS: 單位: 毫米		CHK		
TOLERANCES UNLESS OTHERWISE SPECIFIED: 一般公差		APVD		
0 PLC	±	NAME 名稱		
1 PLC	±	HDMI 19 POS RECEPTACLE ASSY		
2 PLC	±	SMT SHORT TYPE		
3 PLC	±	PRODUCT SPEC 製品規格		
4 PLC	±	APPLICATION SPEC 取付適用規格		
ANGLES	±	SIZE	CAGE CODE	DRAWING NO
MATERIAL 材料	FINISH 仕上	A3	00779	C=1903015
		WEIGHT		RESTRICTED TO
		CUSTOMER DRAWING		SCALE 尺度 4:1
				SHEET 3 OF 12
				REV R

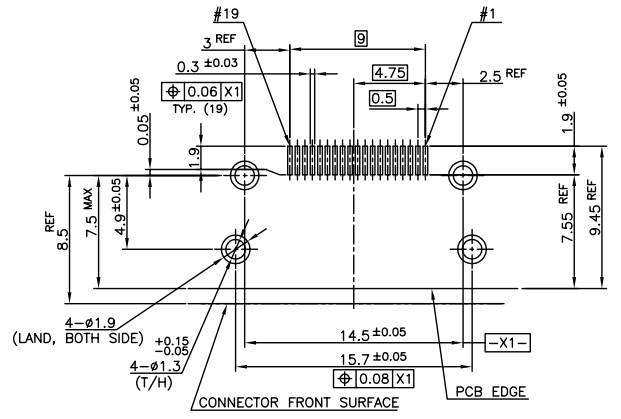
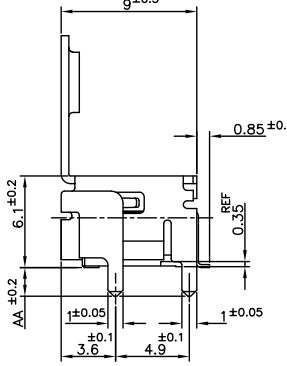
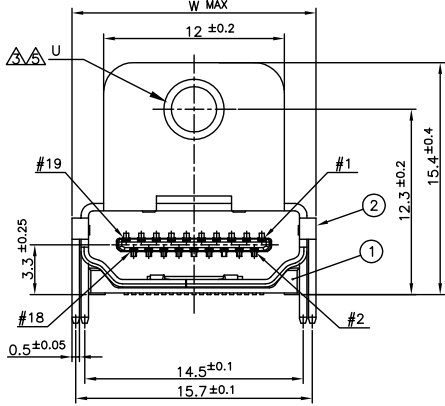


THIS DRAWING IS UNPUBLISHED. RELEASED FOR PUBLICATION SEP. 2005.  
 © COPYRIGHT 2005 By - ALL RIGHTS RESERVED.

LOC		DIST		REVISIONS			DATE	DWN	APVD
				變更					
P	LTR	DESCRIPTION							
-	-	SEE SHEET 1			-	-	-	-	-



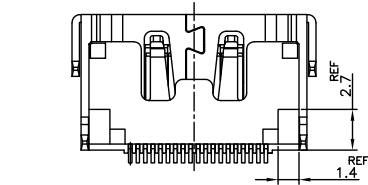
PANEL CUT OUT DIMENSION (REFERENCE)



P.C.B LAYOUT (REFERENCE)  
 SHOWN AS CONNECTOR MOUNTING SIDE  
 TOLERANCE: NON-CUMULATIVE

POLYIMIDE	TAPE	(4)
BRASS	CONTACT	(3)
PHOSPHOR BRONZE	SHELL	(2)
GLASS FILLED LCP UL94V-0, BLACK COLOR	HOUSING	(1)
MATERIAL	DESCRIPTION	ITEM

CONNECTOR: WITH FLANGE THROUGH HOLE TYPE



THIS DRAWING IS A CONTROLLED DOCUMENT.		DWN		
DIMENSIONS: 單位: 毫米		CHK		
TOLERANCES UNLESS OTHERWISE SPECIFIED: 一般公差		APVD		
0 PLC ±		PRODUCT SPEC	HDMI 19 POS RECEPTACLE ASSY	
1 PLC ±		APPLICATION SPEC	SMT SHORT TYPE	
2 PLC ±		WEIGHT	A3 00779 C=1903015	
3 PLC ±		CUSTOMER DRAWING	SCALE 4:1	SHEET 4 OF 12
4 PLC ±				REV R
ANGLES ±				
FINISH 位上				
MATERIAL 材料				



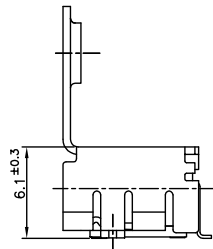
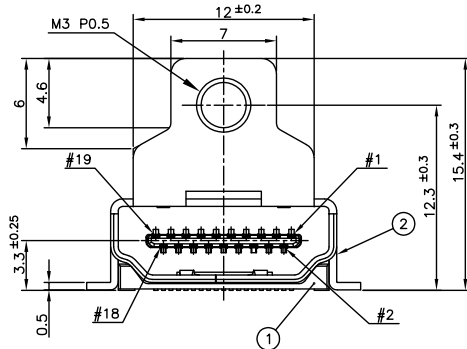
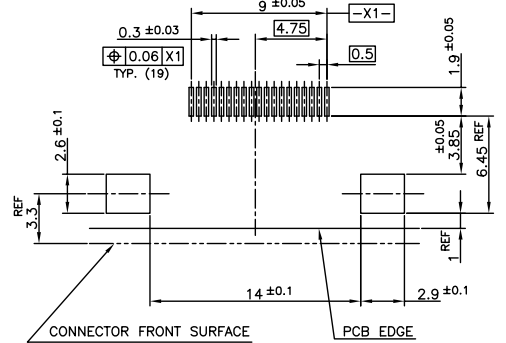
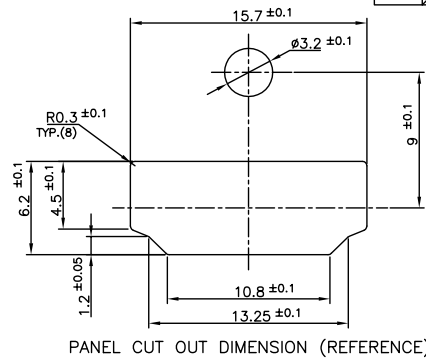
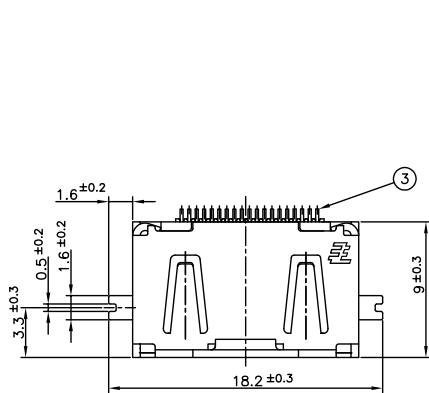
THIS DRAWING IS UNPUBLISHED.

RELEASED FOR PUBLICATION SEP. 2005.

© COPYRIGHT 2005 By -

ALL RIGHTS RESERVED.

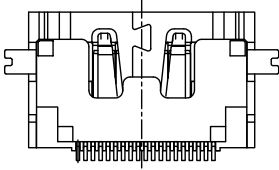
LOC	DIST	REVISIONS			
P	LTR	DESCRIPTION	DATE	DWN	APVD
-	-	SEE SHEET 1	-	-	-



P.C.B LAYOUT (REFERENCE)  
SHOWN AS CONNECTOR MOUNTING SIDE  
TOLERANCE: NON-CUMULATIVE

BRASS	CONTACT	(3)
PHOSPHOR BRONZE	SHELL	(2)
GLASS FILLED LCP UL94V-0, BLACK COLOR	HOUSING	(1)
MATERIAL	DESCRIPTION	ITEM

CONNECTOR: WITH FLANGE FULL SMT TYPE



THIS DRAWING IS A CONTROLLED DOCUMENT.		DWN		
DIMENSIONS: 單位: 毫米 mm		CHK		
TOLERANCES UNLESS OTHERWISE SPECIFIED: 一般公差		APVD		
0 PLC ±		PRODUCT SPEC	NAME	
1 PLC ±		製品規格	HDMI 19 POS RECEPTACLE ASSY	
2 PLC ±		APPLICATION SPEC	SMT SHORT TYPE	
3 PLC ±		取付適用規格	SIZE	CAGE CODE
4 PLC ±		FINISH	DRAWING NO	
ANGLES ±		仕上	1903015	
MATERIAL	材料	WEIGHT	A3	00779
CUSTOMER DRAWING		SCALE	4:1	SHEET
		尺度	5	OF 12
		REV	R	

**TE** TE Connectivity

THIS DRAWING IS UNPUBLISHED.

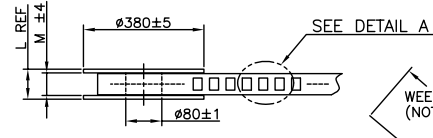
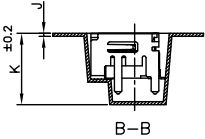
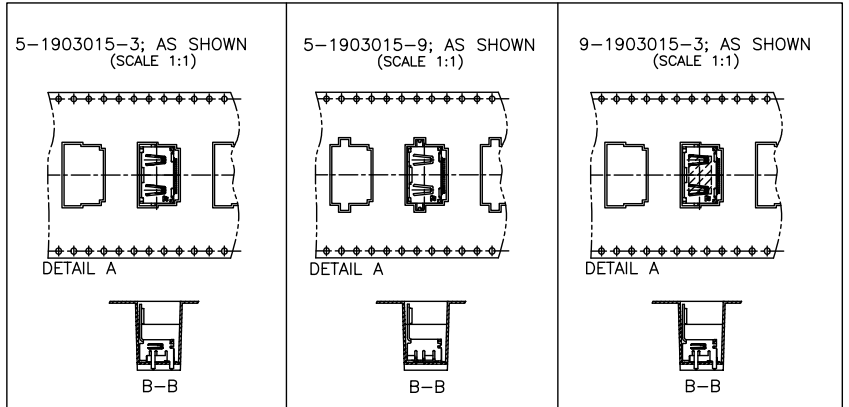
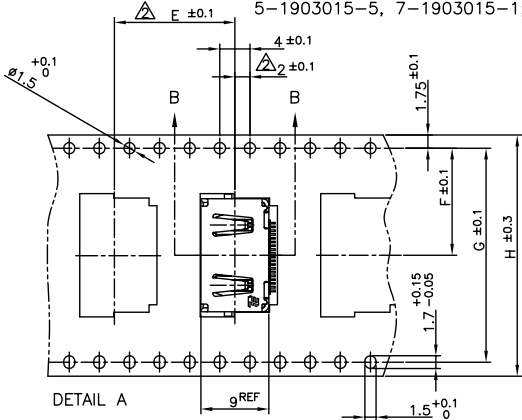
RELEASED FOR PUBLICATION SEP, 2005.

ALL RIGHTS RESERVED.

© COPYRIGHT 2005 By -

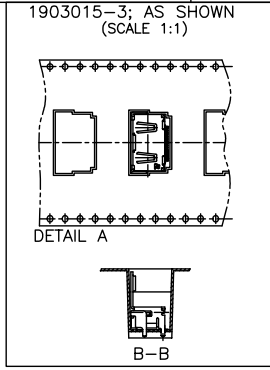
1903015-1, 2-1903015-2, 5-1903015-1  
5-1903015-5, 7-1903015-1; AS SHOWN

LOC	DIST	REVISIONS		
P	LTR	DESCRIPTION	DATE	DWN
-	-	SEE SHEET 1	-	-

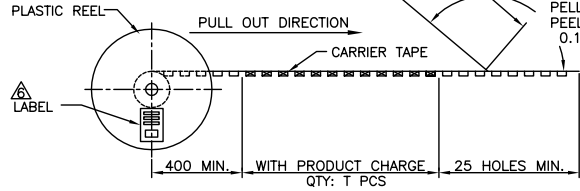


WEEDING THE COVER TAPE: 300 MIN  
(NOT INCLUDE EMPTINESS POCKET)  
PEELING ANGLE: 165°~180°  
PEELING STRENGTH:  
0.1~0.7N (300mm/min.)

LABEL DESCRIPTION  
TYCO P/N: \*-1903015-\*  
QTY: \* pcs  
D/C:  
MADE IN CHINA



PET	COVER TAPE
PS	CARRIER TAPE
PLASTIC	REEL
MATERIAL	DESCRIPTION

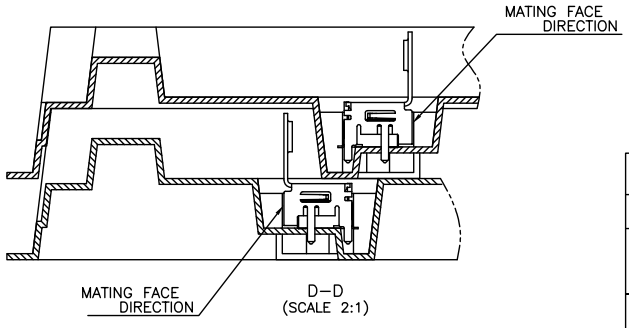
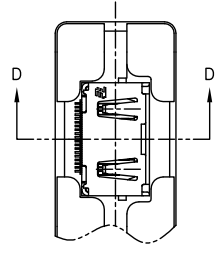
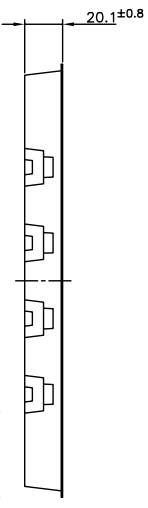
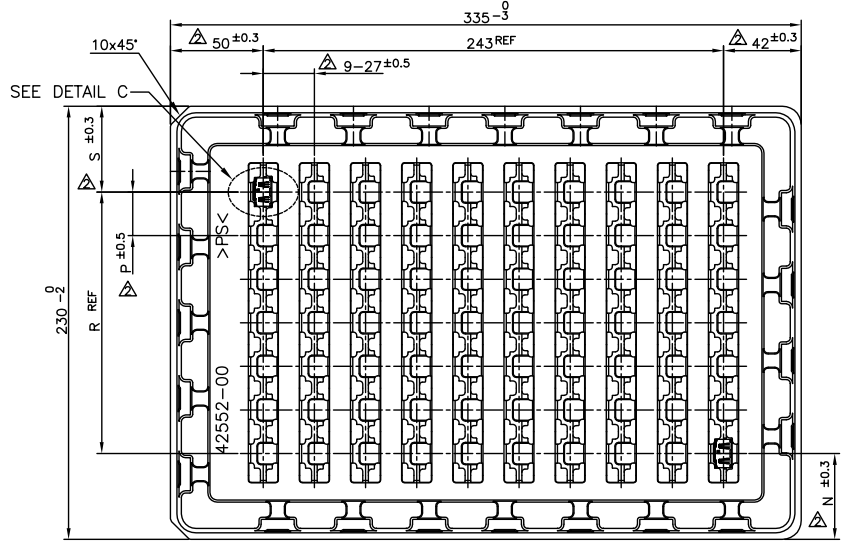


THIS DRAWING IS A CONTROLLED DOCUMENT.

DIMENSIONS: 單位: 毫米 mm	TOLERANCES UNLESS OTHERWISE SPECIFIED: 一般公差	DWN	NAME
0 PLC ±	1 PLC ±	CHK	TE Connectivity
2 PLC ±	3 PLC ±	APVD	HDMI 19 POS RECEPTACLE ASSY SMT SHORT TYPE
4 PLC ±	ANGLES ±	PRODUCT SPEC 製品規格	SIZE
MATERIAL 材料	FINISH 仕上	APPLICATION SPEC 取付適用規格	CAGE CODE
		WEIGHT	DRAWING NO 圖號
		CUSTOMER DRAWING	A3 00779 ©=1903015
			RESTRICTED TO
			SCALE 4:1 SHEET 6 OF 12 REV R

THIS DRAWING IS UNPUBLISHED. RELEASED FOR PUBLICATION SEP. 2005.  
 © COPYRIGHT 2005 By - ALL RIGHTS RESERVED.  
 1903015-2, 1903015-5, 4-1903015-1, 5-1903015-2, 5-1903015-4  
 8-1903015-4, 9-1903015-4; AS SHOWN

LOC	DIST	REVISIONS					
		P	LTR	DESCRIPTION	DATE	DWN	APVD
		-	-	SEE SHEET 1	-	-	-

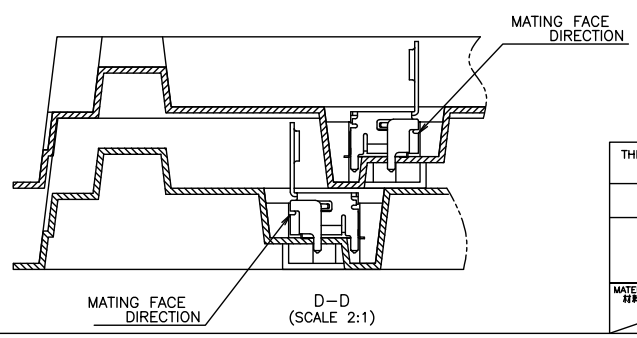
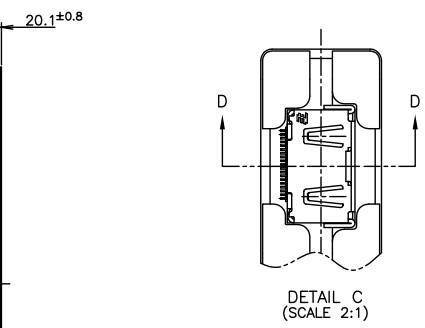
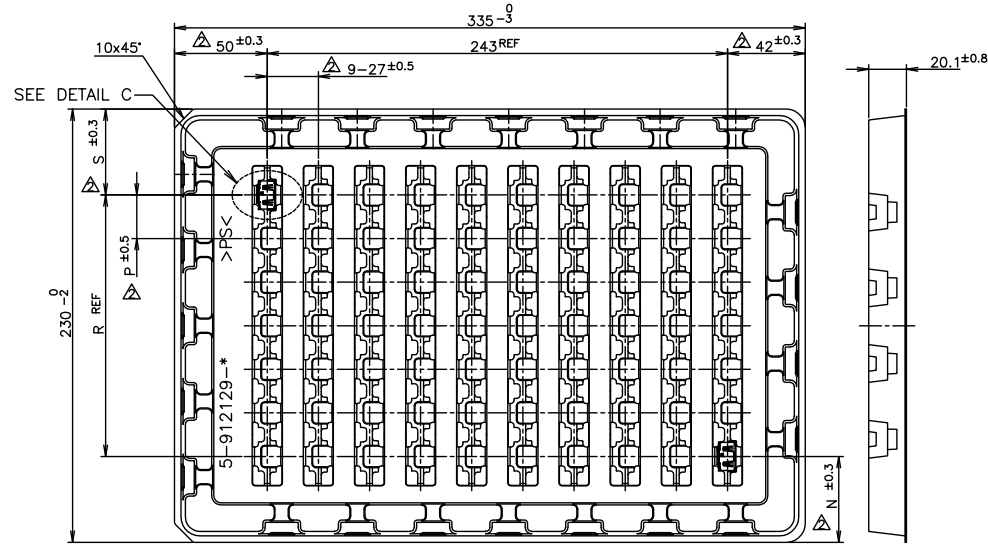


THIS DRAWING IS A CONTROLLED DOCUMENT.		DWN	PS		TRAY
		CHK	MATERIAL		DESCRIPTION
DIMENSIONS: 單位: 毫米 mm		TOLERANCES UNLESS OTHERWISE SPECIFIED: 一般公差		TE Connectivity	
0 PLC ± 1 PLC ± 2 PLC ± 3 PLC ± 4 PLC ± ANGLES ±		FINISH: 仕上		NAME HDMI 19 POS RECEPTACLE ASSY SMT SHORT TYPE	
MATERIAL		APVD		SIZE	
		PRODUCT SPEC		CAGE CODE	
		APPLICATION SPEC		DRAWING NO	
		WEIGHT		REV	
		CUSTOMER DRAWING		RESTRICTED TO	
		A3 00779		C=1903015	
		SCALE		SHEET	
		4:1		7 OF 12	
				REV R	

THIS DRAWING IS UNPUBLISHED. RELEASED FOR PUBLICATION SEP, 2005.  
 © COPYRIGHT 2005 By - ALL RIGHTS RESERVED.

LOC	DIST	REVISIONS			
		REV	DESCRIPTION	DATE	APPD
		1	SEE SHEET 1	-	-

1903015-4; AS SHOWN

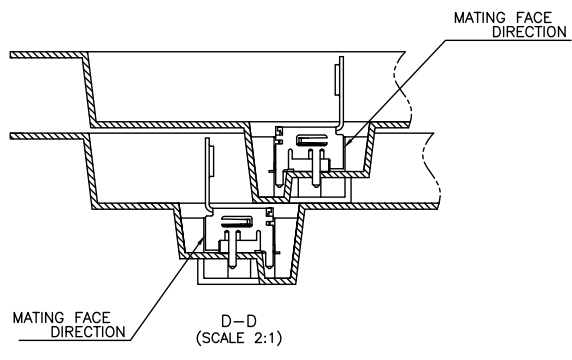
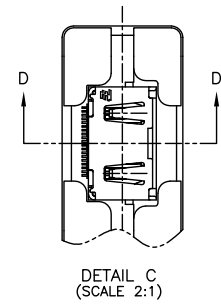
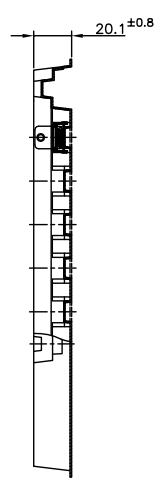
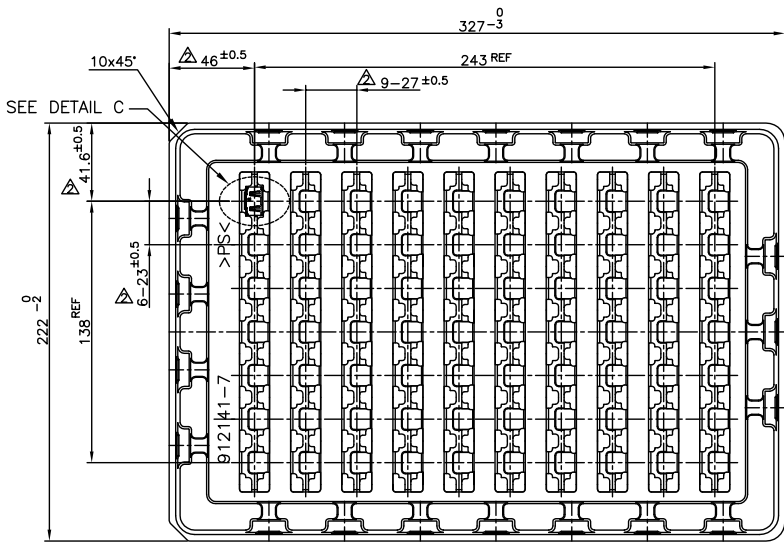


THIS DRAWING IS A CONTROLLED DOCUMENT.		DWN	PS		TRAY
		CHK	MATERIAL		DESCRIPTION
DIMENSIONS: 單位: 毫米 單位: 毫米 TOLERANCES UNLESS OTHERWISE SPECIFIED: 一般公差 0 PLC ± 1 PLC ± 2 PLC ± 3 PLC ± 4 PLC ± ANGLES ±		APVD	<b>TE</b> TE Connectivity HDMI 19 POS RECEPTACLE ASSY SMT SHORT TYPE		
MATERIAL 材料		FINISH 仕上	PRODUCT SPEC 製品規格	APPLICATION SPEC 取付適用規格	RESTRICTED TO
		WEIGHT	SIZE A3	CAGE CODE 00779	DRAWING NO. 1903015
		CUSTOMER DRAWING	SCALE 4:1	SHEET 8 OF 12	REV R



THIS DRAWING IS UNPUBLISHED. RELEASED FOR PUBLICATION SEP. 2005.  
 © COPYRIGHT 2005 By - ALL RIGHTS RESERVED.  
 1903015-7, 1903015-8; AS SHOWN

LOC	DIST	REVISIONS				
		REV	DESCRIPTION	DATE	OWN	APVD
		-	SEE SHEET 1	-	-	-

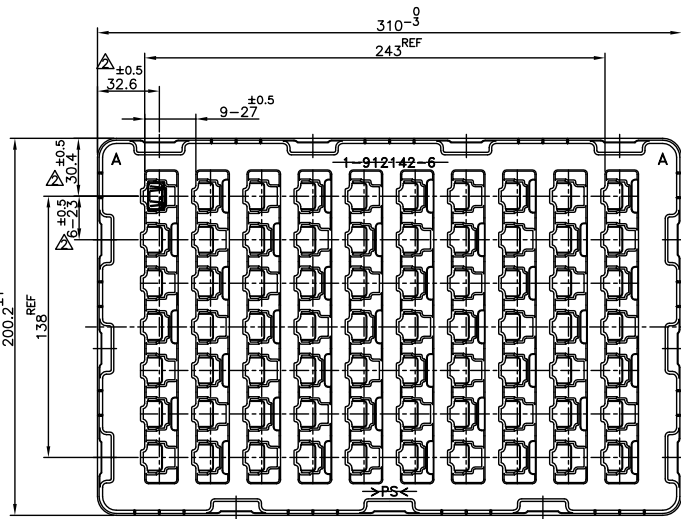


THIS DRAWING IS A CONTROLLED DOCUMENT.		DWN	PS		TRAY
DIMENSIONS: 單位: 毫米 mm		CHK	MATERIAL		DESCRIPTION
TOLERANCES UNLESS OTHERWISE SPECIFIED: 一般公差		APVD	TE Connectivity		
0 PLC ±		NAME	HDMI 19 POS RECEPTACLE ASSY SMT SHORT TYPE		
1 PLC ±		PRODUCT SPEC	製品規格		
2 PLC ±		APPLICATION SPEC	取付適用規格		
3 PLC ±		SIZE	CAGE CODE	DRAWING NO	RESTRICTED TO
4 PLC ±		WEIGHT	A3	00779	1903015
ANGLES ±		CUSTOMER DRAWING	SCALE	SHEET	REV
FINISH 仕上			4:1	9 OF 12	R

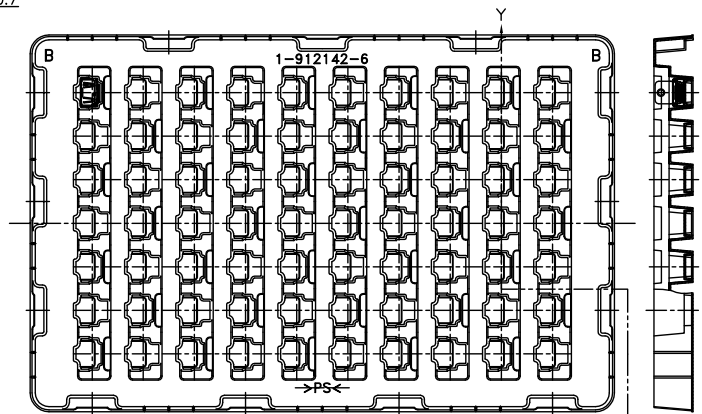
THIS DRAWING IS UNPUBLISHED. RELEASED FOR PUBLICATION SEP. 2005.  
 © COPYRIGHT 2005 By - ALL RIGHTS RESERVED.

LOC	DIST	REVISIONS			
P	LTR	DESCRIPTION	DATE	DWN	APVD
-	-	SEE SHEET 1	-	-	-

8-1903015-4; AS SHOWN

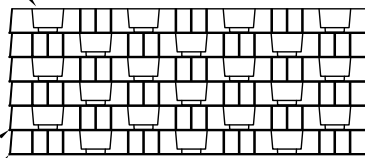


TRAY A

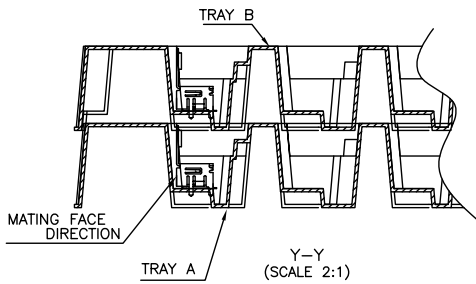


TRAY B

TRAY B (EMPTY)



TRAY B  
TRAY A

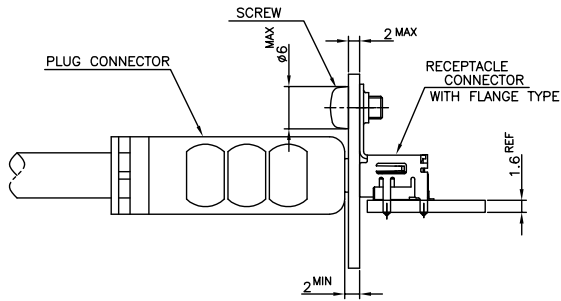
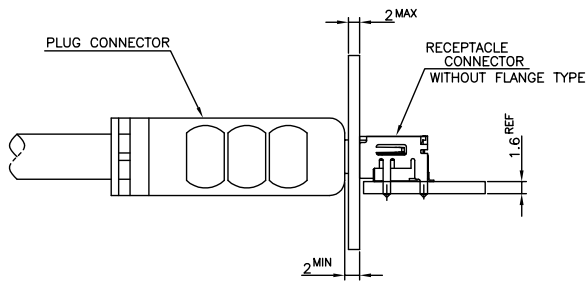


PS	TRAY
MATERIAL	DESCRIPTION

THIS DRAWING IS A CONTROLLED DOCUMENT.		DWN	TE Connectivity	
DIMENSIONS: 單位: 毫米		CHK	NAME	
TOLERANCES UNLESS OTHERWISE SPECIFIED: 一般公差		APVD	HDMI 19 POS RECEPTACLE ASSY	
0 PLC ±		PRODUCT SPEC	SMT SHORT TYPE	
1 PLC ±		APPLICATION SPEC	SIZE	CAGE CODE
2 PLC ±		取付適用規格	A3	00779
3 PLC ±		WEIGHT	DRAWING NO	REV
4 PLC ±		CUSTOMER DRAWING	C=1903015	10
ANGLES ±		SCALE	4:1	SHEET
FINISH 仕上		RESTRICTED TO	10	12
MATERIAL 材料				R

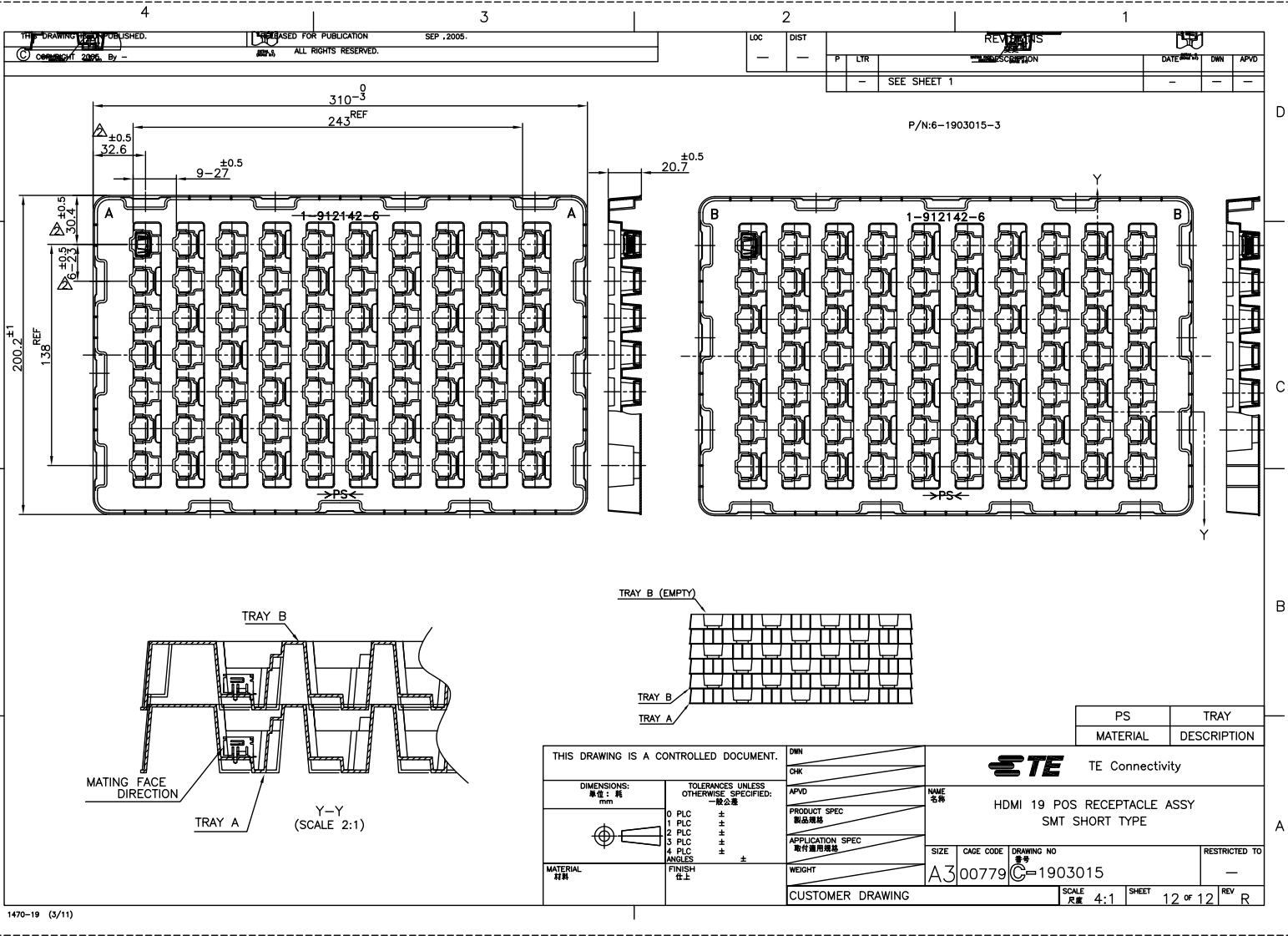
THIS DRAWING IS UNPUBLISHED. RELEASED FOR PUBLICATION SEP, 2005.  
 © COPYRIGHT 2005 By - ALL RIGHTS RESERVED.

LOC	DIST	REVISIONS				
		REV	DESCRIPTION	DATE	DWN	APVD
-	-	-	SEE SHEET 1	-	-	-



MATING CONDITION (REFERENCE)  
(SCALE 2:1)

THIS DRAWING IS A CONTROLLED DOCUMENT.		DWN		TE Connectivity	
DIMENSIONS: 單位: 毫米		TOLERANCES UNLESS OTHERWISE SPECIFIED: 一般公差		NAME	
		0 PLC ± 1 PLC ± 2 PLC ± 3 PLC ± 4 PLC ± ANGLES ±		HDMI 19 POS RECEPTACLE ASSY SMT SHORT TYPE	
MATERIAL		FINISH		SIZE	
				A3	
				CAGE CODE	
				00779	
				DRAWING NO	
				C=1903015	
				RESTRICTED TO	
				-	
				SCALE	
				4:1	
				SHEET	
				11 OF 12	
				REV	
				R	
CUSTOMER DRAWING					



THIS DRAWING IS UNPUBLISHED.  
 © Copyright 2005, By -

RELEASED FOR PUBLICATION SEP, 2005.  
 ALL RIGHTS RESERVED.

LOC	DIST	REV	DATE	OWN	APVD	
-	-	-	-	-	-	
P	LTR	DESCRIPTION		DATE	OWN	APVD
-	-	SEE SHEET 1		-	-	-

P/N:6-1903015-3

PS	TRAY
MATERIAL	DESCRIPTION

THIS DRAWING IS A CONTROLLED DOCUMENT.

DIMENSIONS: 單位: 英 mm	TOLERANCES UNLESS OTHERWISE SPECIFIED: 一般公差	OWN
0 PLC ±	1 PLC ±	CHK
2 PLC ±	3 PLC ±	APVD
4 PLC ±	ANGLES ±	PRODUCT SPEC 製品規格
MATERIAL 材料	FINISH 仕上	APPLICATION SPEC 取付適用規格
		WEIGHT
		CUSTOMER DRAWING

TE Connectivity	
NAME HDMI 19 POS RECEPTACLE ASSY SMT SHORT TYPE	
SIZE A3	CAGE CODE 00779
DRAWING NO C=1903015	RESTRICTED TO -
SCALE 尺碼 4:1	SHEET 12 of 12
	REV R