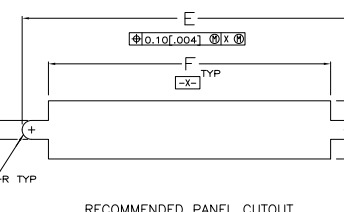
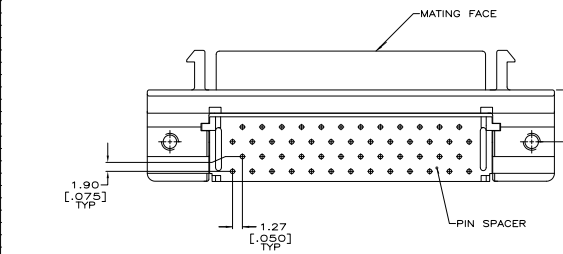
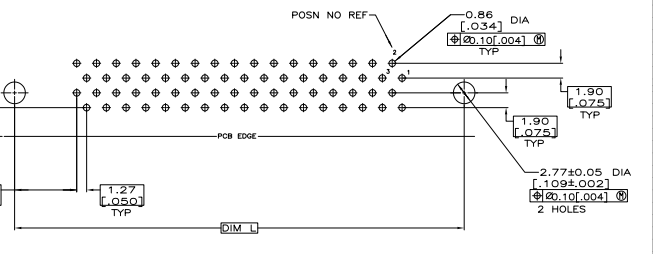
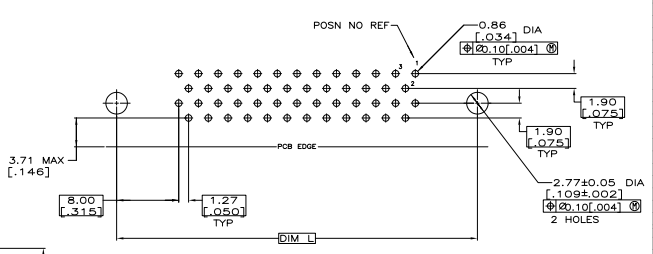
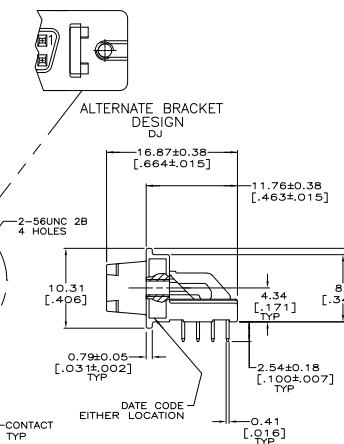
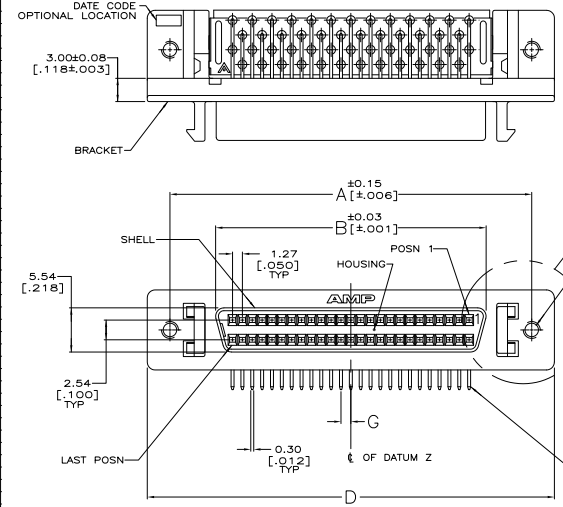


THIS DRAWING IS UNCLASSIFIED  
 UNLESS INDICATED OTHERWISE  
 BY THE ELECTRONICS CORPORATION. ALL RIGHTS RESERVED.

REV	DATE	DESCRIPTION	BY	CHK	APP
00					
1		REV PER ECO-09-04358			22AAL2009 CR SB



**MATERIAL**  
 CONTACTS: PHOSPHOR BRONZE  
 HOUSING & PIN SPACER: UL 94V-0 RATED, THERMOPLASTIC, BLACK  
 BRACKET: ZINC  
 SHELL: CARBON STEEL

**FINISH**  
 CONTACTS: EITHER 0.76µm [0.00030] MIN GOLD PLATE FOR A LENGTH OF 0.64 [0.025] MAX, 0.13 [0.005] MIN FROM MATING END OR GOLD FLASH OVER PALLADIUM NICKEL PLATE, 0.76µm [0.00030] MIN TOTAL FOR A LENGTH OF 0.64 [0.025] MAX, 0.13 [0.005] MIN FROM MATING END. 3.81µm [0.00150] MIN TIN-LEAD ON OPPOSITE END FOR A LENGTH OF 2.72 [1.07] MIN, BOTH OVER 1.27µm [0.00050] MIN NICKEL.  
 SHELL: 5.08µm [0.00200] MIN NICKEL OVER 1.27µm [0.00050] MIN COPPER.  
 BRACKET: 2.54µm [0.00100] MIN NICKEL OVER 5.08µm [0.00200] COPPER.

OBSOLETE	T	78.23	0.64	74.55	80.67	84.20	66.45	78.23	100	787394-9
		[3.080]	[0.025]	[2.935]	[3.178]	[3.315]	[2.616]	[3.080]		
	T	65.53	0.64	61.85	67.97	71.50	53.75	65.53	80	787394-8
	T	57.91	0.64	54.23	60.35	63.88	46.13	57.91	68	787394-7
	S	46.48	1.27	42.80	48.92	52.45	34.70	46.48	50	787394-5
	T	1.830	[0.050]	1.685	1.926	2.065	1.366	1.830	28	787394-3
	S	32.51	0.64	28.83	34.95	38.48	20.73	32.51	28	787394-5
	S	31.24	1.27	27.56	33.68	37.21	19.46	31.24	26	787394-2
	S	1.230	[0.050]	1.085	1.326	1.465	[.766]	1.230		

THIS DRAWING IS A CONTROLLED DOCUMENT. SEE RELEASE 02/17/01

DATE: 108-1228  
 REV: 114-40029  
 SIZE: 4.1  
 SHEET: 1 of 1

RECEPTACLE ASSEMBLY, SHIELDED  
 RIGHT ANGLE, 000 SERIES AMP/MLTE

CUSTOMER DRAWING