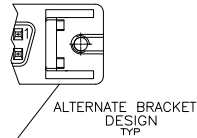
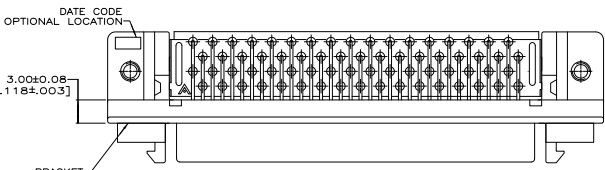


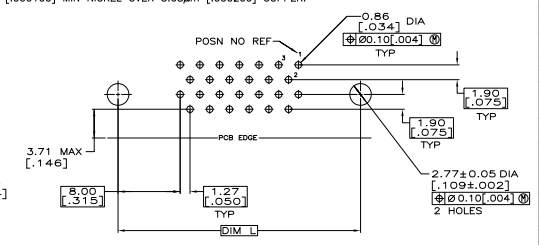
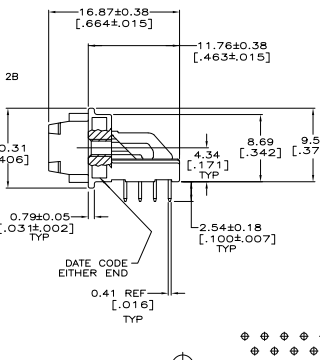
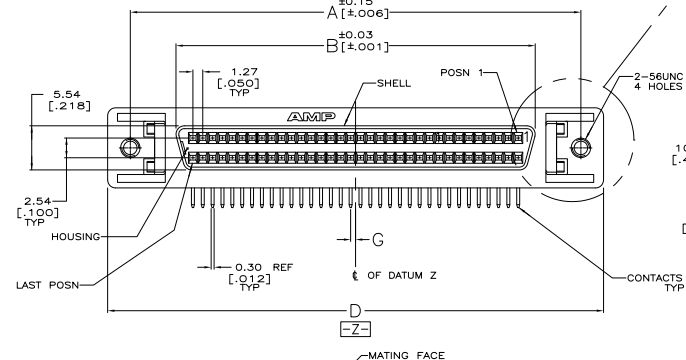
THIS DRAWING IS UNPUBLISHED  
 © 2008 EPCOR INC. ALL RIGHTS RESERVED

REV	DATE	DESCRIPTION	BY	CHK	APP
00	11MAY11	REVISED PER EDD-11-004835	UT		RK HMR

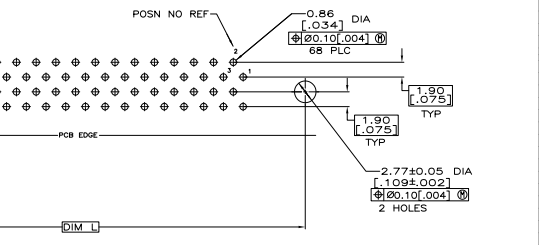
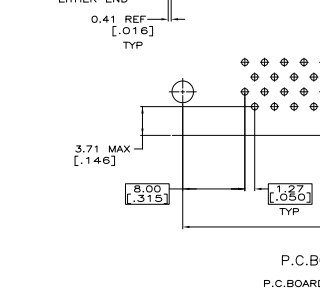
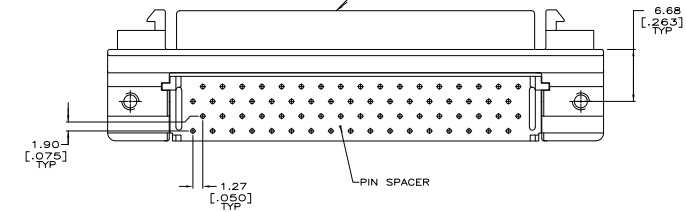


**MATERIAL**  
 CONTACTS: PHOSPHOR BRONZE  
 HOUSING & PIN SPACER: UL 94V-0 RATED, THERMOPLASTIC, BLACK  
 BRACKET: ZINC  
 SHELL: CARBON STEEL

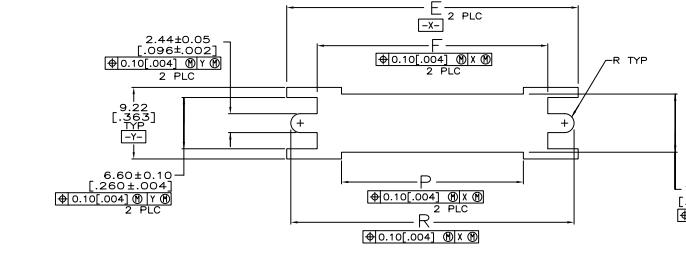
**FINISH**  
 CONTACTS: EITHER 0.76µm [0.00030] MIN GOLD PLATE FOR A LENGTH OF 0.64 [0.025] MAX, 0.13 [0.005] MIN FROM MATING END OR GOLD FLASH OVER PALLADIUM NICKEL PLATE, 0.76µm [0.00030] MIN TOTAL FOR A LENGTH OF 0.64 [0.025] MAX, 0.13 [0.005] MIN FROM MATING END, 3.81µm [0.00150] MIN TIN-LEAD ON OPPOSITE END FOR A LENGTH OF 2.72 [1.07] MIN, BOTH OVER 1.27µm [0.00050] MIN NICKEL.  
 SHELL: 5.08µm [0.00020] MIN NICKEL OVER 1.27µm [0.00050] MIN COPPER.  
 BRACKET: 2.54µm [0.00100] MIN NICKEL OVER 5.08µm [0.00020] COPPER.



P.C. BOARD MOUNTING DIMENSIONS  
 CONNCTOR SIDE  
 P.C. BOARD THICKNESS 1.57±0.20 [.062±.008]  
 PC BOARD PATTERN S



P.C. BOARD MOUNTING DIMENSIONS  
 CONNCTOR SIDE  
 P.C. BOARD THICKNESS 1.57±0.20 [.062±.008]  
 PC BOARD PATTERN T



RECOMMENDED PANEL CUTOUT

	T	67.97	55.47	65.53	0.64	61.85	69.60	71.50	53.75	65.53	80	787190-8
T		2.676	2.194	2.580	[0.025]	2.435	2.740	2.815	2.116	2.580		
T		60.35	47.85	57.91	0.64	54.23	61.98	63.88	46.13	57.91	68	787190-7
T		2.376	1.884	2.280	[0.025]	2.135	2.440	2.515	1.816	2.280		
S		48.92	36.42	46.48	1.27	42.80	50.55	52.45	34.70	46.48	50	787190-5
S		1.926	1.434	1.830	[0.050]	1.685	1.990	2.065	1.366	1.830		
OBSELETE		34.95	22.45	32.51	0.64	28.83	36.58	38.48	20.73	32.51	28	787190-3
OBSELETE		1.376	[.884]	1.280	[0.025]	1.135	1.440	1.515	[.816]	1.280		
T		33.68	21.18	31.24	1.27	27.56	35.31	37.21	19.46	31.24	26	787190-2
OBSELETE		1.326	[.834]	1.230	[0.050]	1.085	1.390	1.465	[.766]	1.230		
T		29.87	17.37	27.43	0.64	23.75	31.50	33.40	15.65	27.43	20	787190-1
OBSELETE		1.176	[.684]	1.080	[0.025]	[.935]	1.240	1.315	[.616]	1.080		

THIS DRAWING IS A CONTROLLED DOCUMENT. IN PROGRESS 11-20-11

REVISIONS: 108-1228  
 114-40029  
 DATE: 11-20-11  
 DRAWN BY: [Signature]  
 CHECKED BY: [Signature]  
 APPROVED BY: [Signature]

RECEPTACLE ASSEMBLY, SHIELDED, RIGHT ANGLE, RAILED, 050 SERIES  
 PART NUMBER: 787190  
 SIZE: 4.1