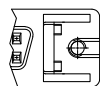
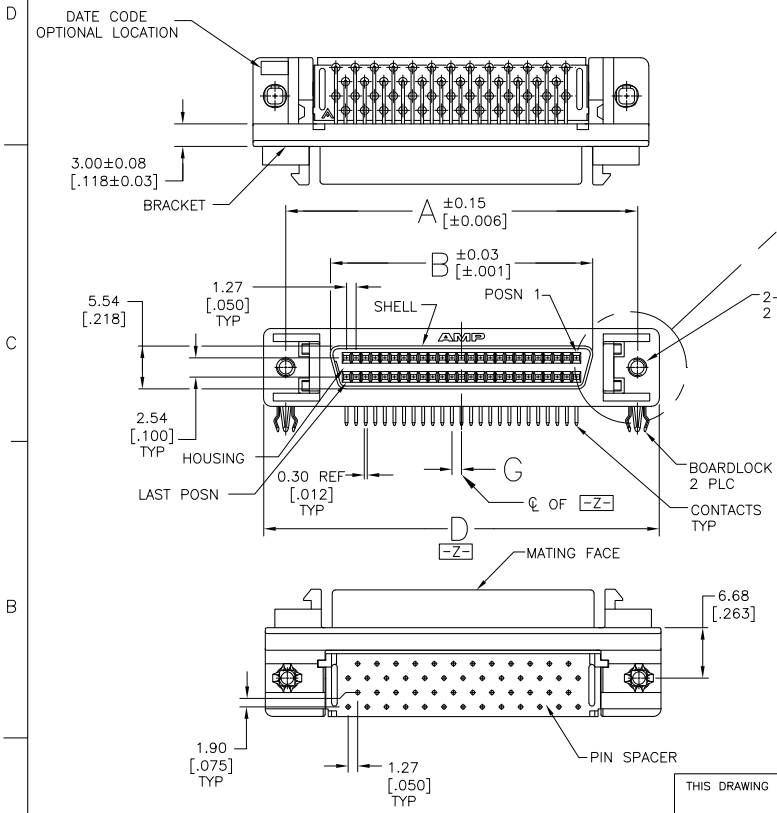
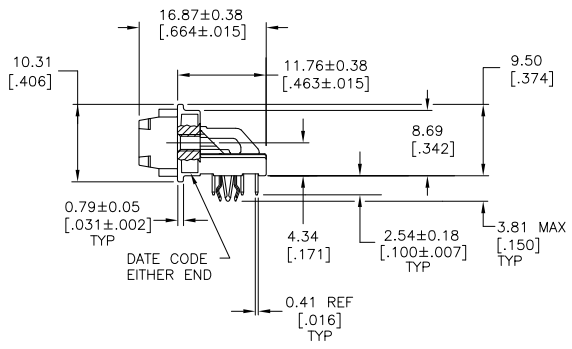


THIS DRAWING IS UNPUBLISHED. RELEASED FOR PUBLICATION
 © COPYRIGHT - By - ALL RIGHTS RESERVED.

LOC	DIST	REVISIONS				
GP	00	P	LTR	DATE	DWN	APVD
		D	REVISED PER ECO-11-008091	18APR2011	CJV	SLB



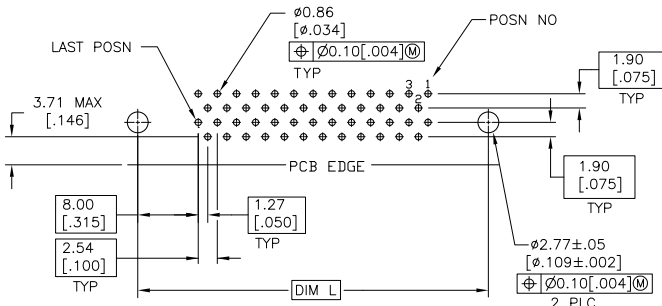
ALTERNATE BRACKET
DESIGN
TYP.



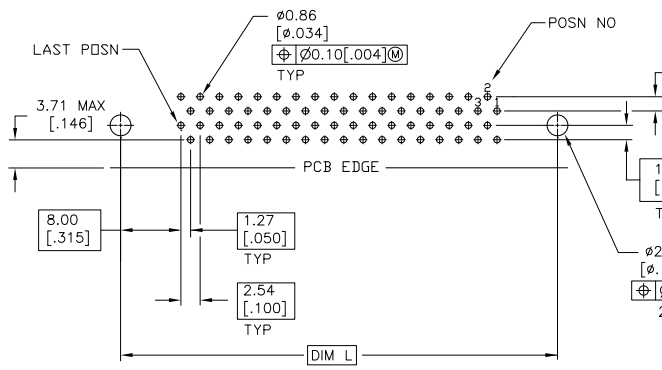
THIS DRAWING IS A CONTROLLED DOCUMENT.		DWN B. MCMASTER 28JAN2004	TE Connectivity RECEPTACLE ASSEMBLY, SHIELDED, RIGHT ANGLE, RAILED, .050 SERIES, AMPLIMITE	
DIMENSIONS: mm [INCHES]		CHK S. SHUEY 28JAN04		
TOLERANCES UNLESS OTHERWISE SPECIFIED:		APVD M. WALMSLEY 28JAN04	RESTRICTED TO	
0 PLC ±-	1 PLC ±-	PRODUCT SPEC	SIZE	
2 PLC ±-	3 PLC ±0.13[.005]	108-1228	CAGE CODE	
4 PLC ±-	ANGLES ±-	APPLICATION SPEC	DRAWING NO	
MATERIAL	FINISH	114-40029	A300779C=1761028	
1	2	WEIGHT	SCALE	
		CUSTOMER DRAWING	2:1	
			SHEET 1 of 3	
			REV D	

THIS DRAWING IS UNPUBLISHED. RELEASED FOR PUBLICATION
 © COPYRIGHT - By - ALL RIGHTS RESERVED.

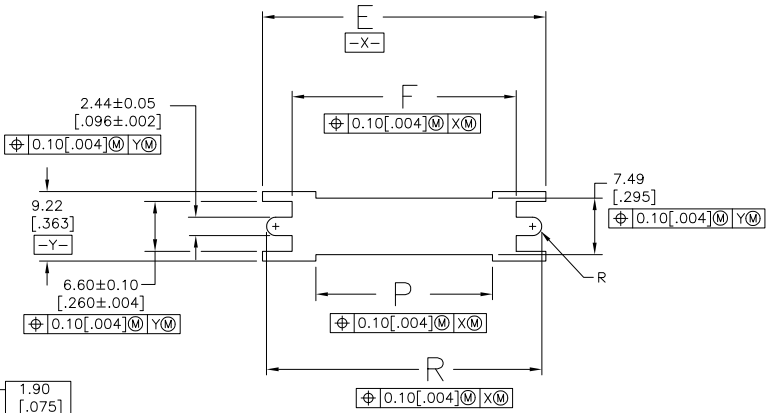
LOC	DIST	REVISIONS					
GP	00	P	LTR	DESCRIPTION	DATE	DWN	APVD
		-		SEE SHEET 1	-	-	-



P.C. BOARD MOUNTING DIMENSIONS
 CONNECTOR SIDE
 P.C. BOARD THICKNESS 1.57±0.20 [.062±.008]
 P.C. BOARD PATTERN S



P.C. BOARD MOUNTING DIMENSIONS
 CONNECTOR SIDE
 P.C. BOARD THICKNESS 1.57±0.20 [.062±.008]
 P.C. BOARD PATTERN T



THIS DRAWING IS A CONTROLLED DOCUMENT.		DWN B. MCMASTER 28JAN2004	TE Connectivity	
		CHK S. SHUEY 28JAN04		
DIMENSIONS: mm [INCHES]		APVD M. WALMSLEY 28JAN04	NAME	
TOLERANCES UNLESS OTHERWISE SPECIFIED:		PRODUCT SPEC		RECEPTACLE ASSEMBLY, SHIELDED, RIGHT ANGLE, RAILED, .050 SERIES, AMPLIMITE
0 PLC ±- 1 PLC ±- 2 PLC ± 0.13[.005] 3 PLC ±- 4 PLC ±- ANGLES ±-		APPLICATION SPEC		
MATERIAL		WEIGHT		RESTRICTED TO
FINISH		CUSTOMER DRAWING		SCALE 2:1 SHEET 2 of 3 REV D
		108-1228		SIZE CAGE CODE DRAWING NO
		114-40029		A3 00779 C=1761028

THIS DRAWING IS UNPUBLISHED. RELEASED FOR PUBLICATION
 © COPYRIGHT - By - ALL RIGHTS RESERVED.

LOC	DIST	REVISONS					
GP	00	P	LTR	DESCRIPTION	DATE	DWN	APVD
		-		SEE SHEET 1	-	-	-

① CONTACTS: PHOSPHOR BRONZE.
 HOUSING & PIN-SPACER: UL 94V-0 RATED, THERMOPLASTIC, BLACK.
 BRACKET: ZINC.
 SHELL: CARBON STEEL.
 BOARDLOCKS: COPPER ALLOY.

② CONTACTS: EITHER 0.00076 [.000030] MIN GOLD PLATE ON MATING END OR GOLD FLASH OVER PALLADIUM NICKEL PLATE, 0.00076 [.000030] MIN TOTAL ON MATING END, 0.00381 [.000150] MIN TIN ON SOLDER END, ALL OVER 0.00127 [.000050] MIN NICKEL ON ENTIRE CONTACT.
 SHELL: 0.00508 [.000200] MIN NICKEL OVER 0.00127 [.000050] MIN COPPER.
 BRACKET: 0.00254 [.000100] MIN NICKEL OVER 0.00508 [.000200] COPPER.
 BOARDLOCKS: 0.00300 [.000118] MIN TIN OVER 0.00127 [.000050] MIN NICKEL.

TUBE	T	29.87 [1.176]	17.37 [.684]	27.43 [1.080]	0.64 [.025]	23.75 [.935]	31.50 [1.240]	33.40 [1.315]	15.65 [.616]	27.43 [1.080]	20	1761028-6
TUBE	T	80.67 [3.176]	68.17 [2.684]	78.23 [3.080]	0.64 [.025]	74.55 [2.935]	82.30 [3.240]	84.20 [3.315]	66.45 [2.616]	78.23 [3.080]	100	1761028-5
TUBE	T	60.35 [2.376]	47.85 [1.884]	57.91 [2.280]	0.64 [.025]	54.23 [2.135]	61.98 [2.440]	63.88 [2.515]	46.13 [1.816]	57.91 [2.280]	68	1761028-4
TUBE	S	48.92 [1.926]	36.42 [1.434]	46.48 [1.834]	1.27 [.050]	42.80 [1.685]	50.55 [1.990]	52.45 [2.065]	34.70 [1.366]	46.48 [1.830]	50	1761028-3
TUBE	T	42.57 [1.676]	30.07 [1.184]	40.13 [1.580]	0.64 [.025]	36.45 [1.435]	44.20 [1.740]	46.10 [1.815]	28.35 [1.116]	40.13 [1.580]	40	1761028-2
TUBE	S	33.68 [1.326]	21.18 [.834]	31.24 [1.230]	1.27 [.050]	27.56 [1.085]	35.31 [1.390]	37.21 [1.465]	19.46 [.766]	31.24 [1.230]	26	1761028-1
PACKAGING	PC BOARD PATTERN	R	P	L	G	F	E	D	B	A	NO OF PDS	PART NUMBER

THIS DRAWING IS A CONTROLLED DOCUMENT.

DIMENSIONS: mm [INCHES]	TOLERANCES UNLESS OTHERWISE SPECIFIED: 0 PLC ± - 1 PLC ± - 2 PLC ± - 3 PLC ± 0.13[.005] 4 PLC ± - ANGLES ± -	DWN B. MCMASTER 28JAN04 CHK S. SHUEY 28JAN04 APVD M. WALMSLEY 28JAN04	NAME RECEPTACLE ASSEMBLY, SHIELDED, RIGHT ANGLE, RAILED, .050 SERIES, AMPLIMITE
		PRODUCT SPEC 108-1228	SIZE A3
MATERIAL	FINISH	APPLICATION SPEC 114-40029	CAGE CODE 00779
①	②	WEIGHT -	DRAWING NO 1761028
		CUSTOMER DRAWING	RESTRICTED TO -

SCALE 2:1 SHEET 3 of 3 REV D