

4

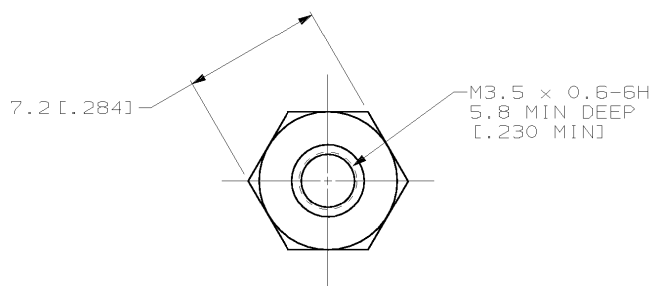
3

2

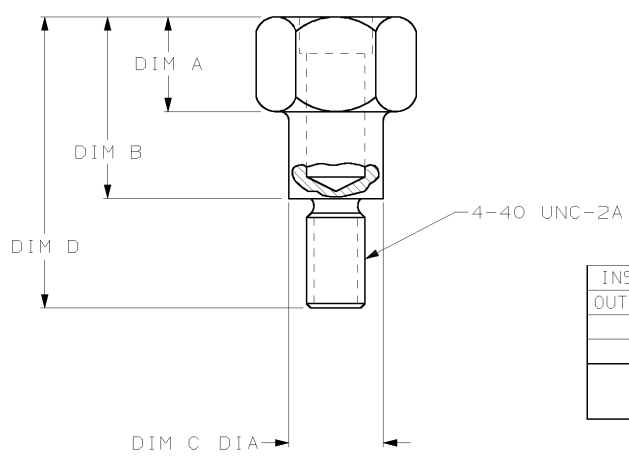
1

THIS DRAWING IS UNPUBLISHED. RELEASED FOR PUBLICATION .19 . . .
 © COPYRIGHT 19 BY AMP INCORPORATED. ALL RIGHTS RESERVED.

LOC	DIST	REVISIONS				
P	LTR	DESCRIPTION	DATE	DWN	APVD	
AA	20	K	REVISED PER EC OUID-0002-00	21 JAN 00	DLD EWB	



1. ALL DIMENSIONS SHOWN ARE FOR REFERENCE ONLY.
2. DIMENSIONS IN [] BRACKETS ARE IN INCHES.
3. PARTS COATED WITH AMP APPROVED CORROSION PREVENTATIVE.



INSIDE (SHIELDED)	17.5 [0.688]	4.6 [0.183]	9.4 [0.369]	4.9 [0.193]	552634-9
OUTSIDE (SHIELDED)	19.1 [0.750]	4.6 [0.183]	11.0 [0.432]	6.5 [0.256]	552634-7
INSIDE	16.5 [0.650]	4.7 [0.185]	8.5 [0.335]	4.9 [0.193]	552634-4
OUTSIDE	16.5 [0.650]	4.2 [0.165]	8.6 [0.339]	6.5 [0.256]	552634-3
PANEL MOUNTED	DIM D	DIM C DIA	DIM B	DIM A	PART NUMBER

METRIC

THIS DRAWING IS A CONTROLLED DOCUMENT.

DIMENSIONS: mm [INCHES]	TOLERANCES UNLESS OTHERWISE SPECIFIED: 0 PLC ±- 1 PLC ±- 2 PLC ±- 3 PLC ±- 4 PLC ±- ANGLES ±-	DWN V.E. SLACK 02 MAR 78 CHK R.E. REICH 14 MAR 78 APVD S. HEFE 05 APR 78	AMP AMP Incorporated Harrisburg, PA 17105-3608
MATERIAL: STEEL	FINISH: BLACK OXIDE	NAME: STANDOFF, STUD, MOUNTING (METRIC)	RESTRICTED TO: -
CUSTOMER DRAWING		SIZE: A3 CAGE CODE: 00779 DRAWING NO: C-552634	SCALE: NONE SHEET: 1 OF 1 REV: K