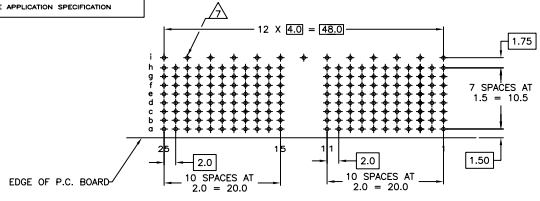
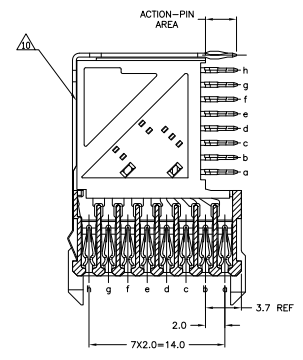


PLATED THRU HOLE PARAMETERS
REFERENCE APPLICATION SPECIFICATION

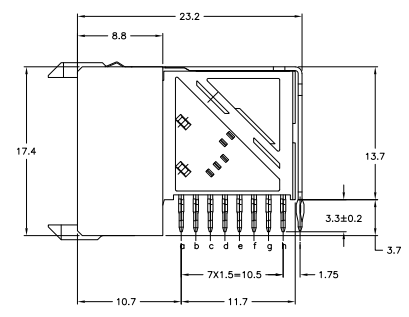


RECOMMENDED PCB-HOLE LAYOUT
COMPONENT SIDE SHOWN
SCALE: 3:1

REV	DESCRIPTION	DATE	BY	APP'D
A3	REVISED FOR ECO-10-00044	02NOV99	KK	AEG
B	ECR-10-018652	10SEP10	JS	MQW
C	ECO-11-00491	13DEC11	BY	MMW



SECTION W-W



- △ MATERIAL:
CONTACT: PHOSPHOR BRONZE.
HOUSING: GLASS-FILLED POLYESTER.
- △ GENERAL PLATING SPECIFICATION: UNDERPLATING
(ENTIRE CONTACT); 1.27µm MIN NICKEL AND ACTION
PIN: 0.5µm MIN TIN.
FOR PLATING OF MATING SURFACES SEE APPLICABLE
SPECIFICATION REFERENCE FOR EACH DASH NUMBER.
- △ CONFORMS TO ALL TESTING ACCORDING TO IEC 61076-4-101
PERFORMANCE LEVEL 2.
- △ CONNECTOR TESTED AND QUALIFIED AGAINST TELCORDIA GR-1217-CORE QUALITY LEVEL 3,
CENTRAL OFFICE APPLICATIONS.
- △ CONNECTOR TESTED AND QUALIFIED AGAINST TELCORDIA GR-1217-CORE QUALITY LEVEL 3,
UNCONTROLLED ENVIRONMENT APPLICATIONS.
- △ CONNECTOR MARKED WITH PART NUMBER AND DATE CODE.
ADDITIONAL CHARACTERS OR MARKINGS, AS WELL AS THE LOCATION OF THE MARKINGS,
MAY BE ADDED FOR TRACEABILITY BASED UPON MANUFACTURERS DISCRETION.
- △ PLATED-THROUGH HOLES AT 2x1.5mm GRID
178 TOTAL HOLES.
- △ ROW * 13 PLATED THROUGH HOLES FOR UPERSHIELD.
- △ CONNECTOR & SHIELD LUBRICATED WITH BELCORE APPROVED LUBRICANT,
TECHNICAL REFERENCE: TR-NW1-001217 ISSUE 1, SEP 1992.
- △ SHIELD MOUNTED TO CONNECTOR WITH DOUBLE SIDED ADHESIVE TAPE
OR ADHESIVE.
- △ OBSOLETE PARTS: OBSOLETE CIS STREAMLINING PER D.RENAUD/D.SINISI

△	△	△	△	△	1-5646486-0
△	△	△	△	△	5646486-9
△	△	△	△	△	5646486-1
△	△	△	△	△	FINISH
△	△	△	△	△	PART NUMBER

THIS DRAWING IS A CONTROLLED DOCUMENT.		REVISED FOR ECO-10-00044	DATE	02NOV99	BY	KK	APP'D	AEG
INCHES/mm	108-1622	REVISED FOR ECO-11-00491	DATE	13DEC11	BY	BY	APP'D	MMW
REVISED FOR ECO-10-018652	DATE	10SEP10	BY	JS	APP'D	MQW		
114-19029	DATE	10SEP10	BY	JS	APP'D	MQW		
A1	000779	5646486	REVISED FOR ECO-11-00491	DATE	13DEC11	BY	MMW	APP'D