

4

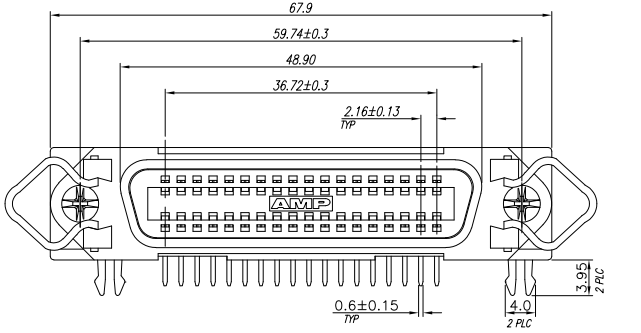
3

2

1

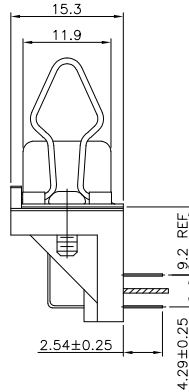
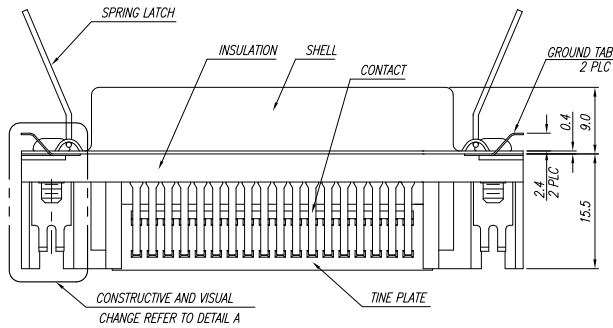
THIS DRAWING IS UNPUBLISHED. RELEASED FOR PUBLICATION  
 © COPYRIGHT - BY - ALL RIGHTS RESERVED.

LOC	DIST	REVISIONS				
P	LTR	DESCRIPTION	DATE	DWN	APVD	
B1		REVISED PER ECO-11-005301	11APR11	RK	HMR	

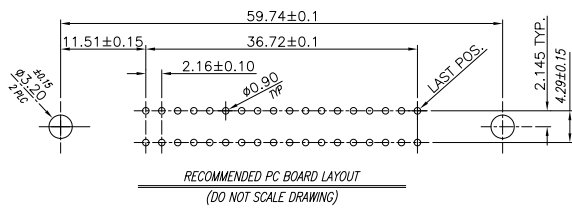


NOTE :

- MATERIALS:  
 HOUSING: THERMOPLASTIC WITH GLASS FIBER FILLED, UL94V-0 RATED, COLOR: (SEE TABLE)  
 CONTACTS: BRASS, THICKNESS= 0.3mm.  
 BOARD LOCK: BRASS, THICKNESS= 0.6mm.  
 SPRING LATCH: STAINLESS STEEL.  
 SHELL: STEEL, THICKNESS= 0.6mm.  
 SCREW: STEEL.  
 QUARTRANGLE RIVET: BRASS.
- FINISH:  
 CONTACT: GOLD PLAED (SEE TABLE) ON CONTACT AREA, 100µ" MIN TIN-Cu ON SOLDER TAIL, 50µ" MIN. NICKEL UNDERPLATED ALL OVER.  
 SHELL AND SCREW: 50µ" MIN. NICKEL PLATED.  
 BOARD LOCK: 150µ" MIN. TIN-Cu PLATED.  
 QUARTRANGLE RIVET: 50µ" MIN. NICKEL PLATED.  
 ⚠ HOUSING: HIGH TEMPERATURE THERMOPLASTIC, UL94V-0 RATED, COLOR: (SEE TABLE)



	W/O	BLACK	⚠ BLACK	GOLD FLASH	4-1734044-3
OBSOLETE	W/	⚠ BLACK	RIVET (M3)	15µ"	3-1734044-3
	W/O	BURGUNDY	SCREW	15µ"	2-1734044-1
OBSOLETE	W/O	⚠ BLACK	RIVET (M3)	15µ"	1-1734044-3
	W/O	BLACK	RIVET	15µ"	1-1734044-2
	W/O	BLACK	SCREW	15µ"	1-1734044-1
	W/O	BLACK	RIVET (M3)	GOLD FLASH	⚠ 1734044-3
	W/O	BLACK	RIVET	GOLD FLASH	1734044-2
	W/O	BLACK	SCREW	GOLD FLASH	1734044-1
	GROUND TABS	HSG. COLOR	LOCK TYPE	GOLD PLATED	PART NUMBER



THIS DRAWING IS A CONTROLLED DOCUMENT.

DIMENSIONS: MM	TOLERANCES UNLESS OTHERWISE SPECIFIED:	DWN S. CHIEN 27OCT2008	<b>STE</b> TE Connectivity				
0 PLC ± 0.38	1 PLC ± 0.25	CHK S. CHIEN 27OCT2008					
2 PLC ± 0.13	3 PLC ± 0.05	APVD W. KODAMA 27OCT2008	RCPT. ASS'Y, 36P RIGHT ANGLE, CENTRONICS.				
4 PLC ± -	ANGLES ± 3°	PRODUCT SPEC 108-57098	SIZE	CAGE CODE	DRAWING NO	RESTRICTED TO	
MATERIAL SEE NOTE	FINISH SEE NOTE	QUALIFICATION TEST REPORT 501-57055	WEIGHT - GRAMS	A3	00779	C=1734044	
CUSTOMER DRAWING			SCALE	SHEET	1 of 3	REV	B1

4

3

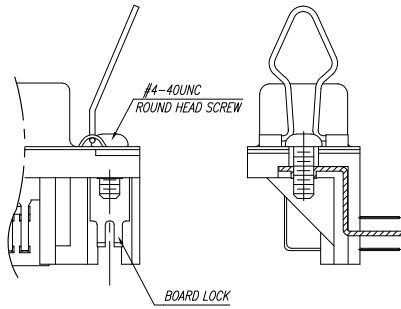
2

1

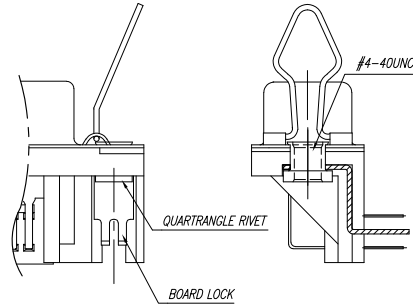
THIS DRAWING IS UNPUBLISHED. RELEASED FOR PUBLICATION  
 © COPYRIGHT - BY - ALL RIGHTS RESERVED.

LOC	DIST	REVISIONS			
P	LTR	DESCRIPTION	DATE	DWN	APVD
DW		SEE SHEET 1.			

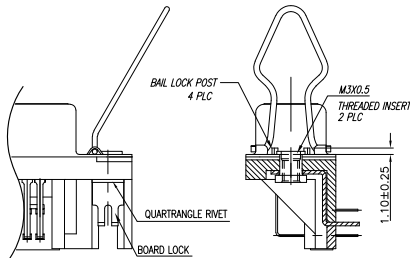
DETAIL A:



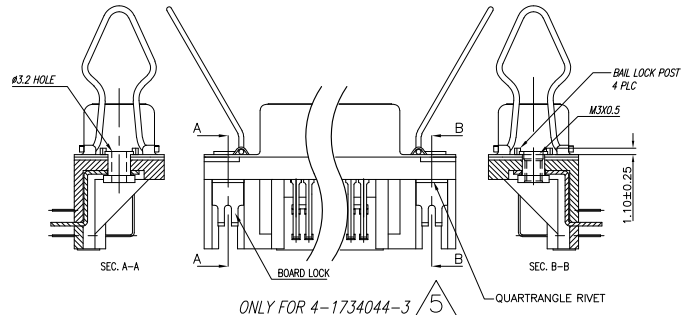
X-1734044-1



X-1734044-2


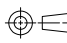


ONLY FOR 0-1734044-3



ONLY FOR 4-1734044-3



THIS DRAWING IS A CONTROLLED DOCUMENT.		DWN	 TE Connectivity			
DIMENSIONS: MM		CHK				
TOLERANCES UNLESS OTHERWISE SPECIFIED: 0 PLC ± - 1 PLC ± - 2 PLC ± - 3 PLC ± - 4 PLC ± - ANGLES ± -		APVD	NAME			
		PRODUCT SPEC	RCPT. ASS'Y, 36P RIGHT ANGLE, CENTRONICS.			
MATERIAL		APPLICATION SPEC	SIZE	CAGE CODE	DRAWING NO	RESTRICTED TO
FINISH		WEIGHT	A3	00779	C-1734044	-
CUSTOMER DRAWING			SCALE	SHEET	2 of 3	REV B1

4

3

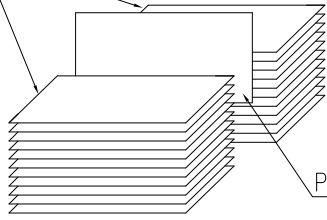
2

1

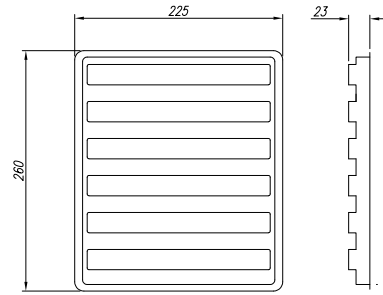
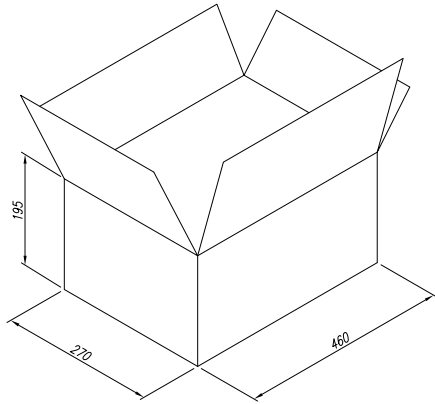
THIS DRAWING IS UNPUBLISHED. RELEASED FOR PUBLICATION  
 © COPYRIGHT - BY - ALL RIGHTS RESERVED.

LOC	DIST	REVISIONS			
P	LTR	DESCRIPTION	DATE	DWN	APVD
SEE SHEET 1.					

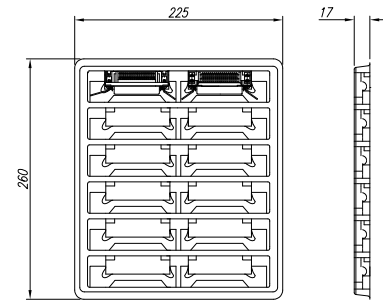
PVC TRAY



PAPER BOARD



UPPER COVER



LOWER COVER

PCS/TRAY	PACKING QUANTITY/OUTER BOX	N.W.(KGS)	G.W.(KGS)
12	192	8	9

THIS DRAWING IS A CONTROLLED DOCUMENT.		DWN	TE Connectivity			
DIMENSIONS: MM		CHK				
TOLERANCES UNLESS OTHERWISE SPECIFIED: 0 PLC ± - 1 PLC ± - 2 PLC ± - 3 PLC ± - 4 PLC ± - ANGLES ± -		APVD	NAME			
		PRODUCT SPEC	RCPT. ASS'Y, 36P RIGHT ANGLE, CENTRONICS.			
MATERIAL		APPLICATION SPEC	SIZE	CAGE CODE	DRAWING NO	RESTRICTED TO
FINISH		WEIGHT	A3	00779	C=1734044	-
CUSTOMER DRAWING			SCALE	SHEET	3 of 3	REV B1