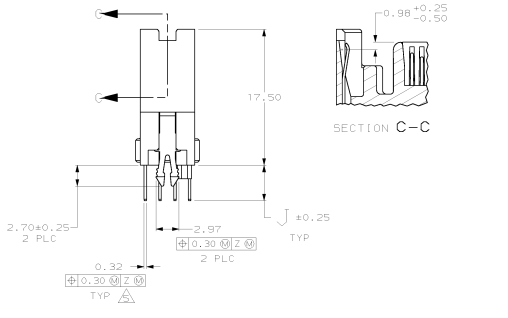
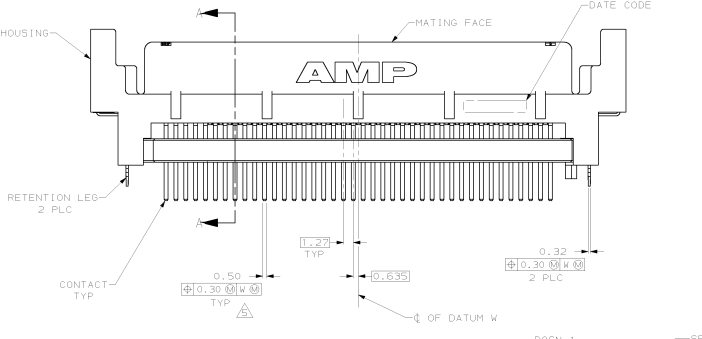
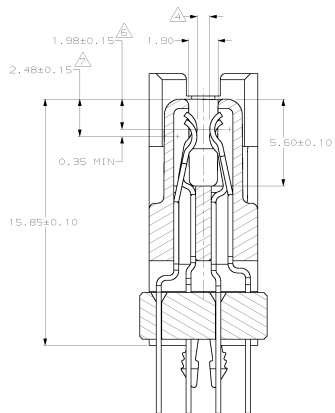
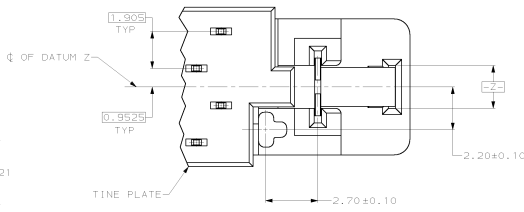
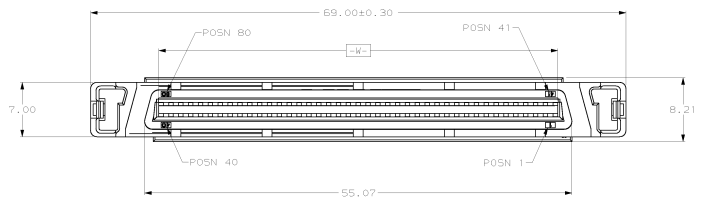
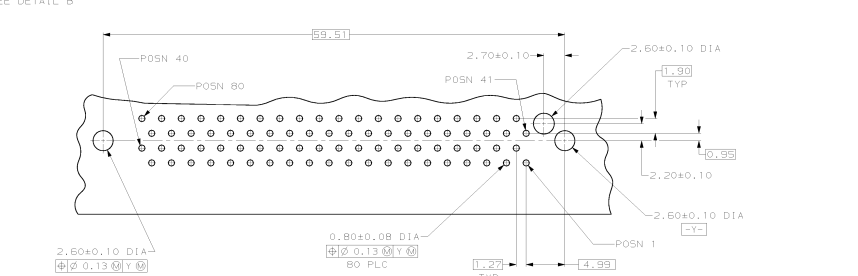
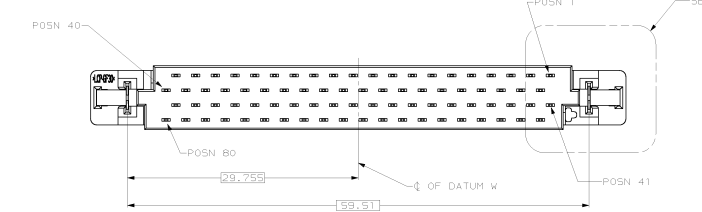


REV BROWN 13 SEP 1988	REVISED FOR PRODUCTION
© Copyright © AMP Incorporated, ALL RIGHTS RESERVED	

REV	REVISED PER EC 0513-0543-04	DATE	BY	APP
GP 00	M		JG	SS



SECTION A-A  
CONTACT POSITIONS 35, 36, 73 & 76  
SHOWN FOR CLARITY  
SCALE 8:1



- △ HOUSING & TINE PLATE: POLYESTER, UL 94V-0 RATED, BLACK.
- △ CONTACTS: PHOSPHOR BRONZE.
- △ RETENTION LEGS: BRASS.
- △ CONTACTS: 0.75 μm MIN GOLD FOR A LENGTH 1.20 MIN STARTING 0.50 MAX FROM MATING END, 3.61 μm MIN TIN-LEAD ON SOLDER TINES, BOTH OVER 1.27 μm MIN NICKEL.
- △ RETENTION LEGS: 3.81 μm MIN TIN-LEAD OVER 1.27 μm MIN NICKEL.
- △ CONNECTOR WILL ACCOMMODATE PRINTED CIRCUIT BOARD THICKNESS OF 1.77 TO 4.06.
- △ CONNECTOR WILL ACCOMMODATE MATING PRINTED CIRCUIT BOARD OF 1.60±0.07 THICKNESS.
- △ POSITION TOLERANCE APPLIES AT CONTACT TIP ONLY.
- △ CONTACTS 1, 36 THRU 43, 45 THRU 46 & 75 THRU 80 ARE POSITIONED TOWARD THE MATING FACE. (LONG)
- △ CONTACTS 2 THRU 35, 44 & 47 THRU 74 ARE POSITIONED AWAY FROM THE MATING FACE. (SHORT)
- △ CONTACTS: 0.75 μm MIN GOLD FOR A LENGTH 1.20 MIN STARTING 0.50 MAX FROM MATING END, 3.61 μm MIN MATTE TIN ON SOLDER TINES, BOTH OVER 1.27 μm MIN NICKEL.
- △ RETENTION LEGS: 3.81 μm MIN HALT TIN.

RECOMMENDED PC BOARD  
MOUNTING DIMENSIONS  
COMPONENT SIDE

FINISH	J	PART	80-0010
OBSOLETE			
	3.18	787596-5	
	4.57	787596-4	
	3.18	787596-3	
	2.79	787596-2	
	4.57	787596-1	

REV	REVISED PER EC 0513-0543-04	DATE	BY	APP
GP 00	M		JG	SS

SYMBOL	DESCRIPTION	DATE
1	REVISED PER EC 0513-0543-04	11-15-88
2	REVISED PER EC 0513-0543-04	11-15-88
3	REVISED PER EC 0513-0543-04	11-15-88
4	REVISED PER EC 0513-0543-04	11-15-88
5	REVISED PER EC 0513-0543-04	11-15-88
6	REVISED PER EC 0513-0543-04	11-15-88
7	REVISED PER EC 0513-0543-04	11-15-88
8	REVISED PER EC 0513-0543-04	11-15-88
9	REVISED PER EC 0513-0543-04	11-15-88
10	REVISED PER EC 0513-0543-04	11-15-88
11	REVISED PER EC 0513-0543-04	11-15-88
12	REVISED PER EC 0513-0543-04	11-15-88
13	REVISED PER EC 0513-0543-04	11-15-88
14	REVISED PER EC 0513-0543-04	11-15-88
15	REVISED PER EC 0513-0543-04	11-15-88
16	REVISED PER EC 0513-0543-04	11-15-88
17	REVISED PER EC 0513-0543-04	11-15-88
18	REVISED PER EC 0513-0543-04	11-15-88
19	REVISED PER EC 0513-0543-04	11-15-88
20	REVISED PER EC 0513-0543-04	11-15-88
21	REVISED PER EC 0513-0543-04	11-15-88
22	REVISED PER EC 0513-0543-04	11-15-88
23	REVISED PER EC 0513-0543-04	11-15-88
24	REVISED PER EC 0513-0543-04	11-15-88
25	REVISED PER EC 0513-0543-04	11-15-88
26	REVISED PER EC 0513-0543-04	11-15-88
27	REVISED PER EC 0513-0543-04	11-15-88
28	REVISED PER EC 0513-0543-04	11-15-88
29	REVISED PER EC 0513-0543-04	11-15-88
30	REVISED PER EC 0513-0543-04	11-15-88
31	REVISED PER EC 0513-0543-04	11-15-88
32	REVISED PER EC 0513-0543-04	11-15-88
33	REVISED PER EC 0513-0543-04	11-15-88
34	REVISED PER EC 0513-0543-04	11-15-88
35	REVISED PER EC 0513-0543-04	11-15-88
36	REVISED PER EC 0513-0543-04	11-15-88
37	REVISED PER EC 0513-0543-04	11-15-88
38	REVISED PER EC 0513-0543-04	11-15-88
39	REVISED PER EC 0513-0543-04	11-15-88
40	REVISED PER EC 0513-0543-04	11-15-88
41	REVISED PER EC 0513-0543-04	11-15-88
42	REVISED PER EC 0513-0543-04	11-15-88
43	REVISED PER EC 0513-0543-04	11-15-88
44	REVISED PER EC 0513-0543-04	11-15-88
45	REVISED PER EC 0513-0543-04	11-15-88
46	REVISED PER EC 0513-0543-04	11-15-88
47	REVISED PER EC 0513-0543-04	11-15-88
48	REVISED PER EC 0513-0543-04	11-15-88
49	REVISED PER EC 0513-0543-04	11-15-88
50	REVISED PER EC 0513-0543-04	11-15-88
51	REVISED PER EC 0513-0543-04	11-15-88
52	REVISED PER EC 0513-0543-04	11-15-88
53	REVISED PER EC 0513-0543-04	11-15-88
54	REVISED PER EC 0513-0543-04	11-15-88
55	REVISED PER EC 0513-0543-04	11-15-88
56	REVISED PER EC 0513-0543-04	11-15-88
57	REVISED PER EC 0513-0543-04	11-15-88
58	REVISED PER EC 0513-0543-04	11-15-88
59	REVISED PER EC 0513-0543-04	11-15-88
60	REVISED PER EC 0513-0543-04	11-15-88
61	REVISED PER EC 0513-0543-04	11-15-88
62	REVISED PER EC 0513-0543-04	11-15-88
63	REVISED PER EC 0513-0543-04	11-15-88
64	REVISED PER EC 0513-0543-04	11-15-88
65	REVISED PER EC 0513-0543-04	11-15-88
66	REVISED PER EC 0513-0543-04	11-15-88
67	REVISED PER EC 0513-0543-04	11-15-88
68	REVISED PER EC 0513-0543-04	11-15-88
69	REVISED PER EC 0513-0543-04	11-15-88
70	REVISED PER EC 0513-0543-04	11-15-88
71	REVISED PER EC 0513-0543-04	11-15-88
72	REVISED PER EC 0513-0543-04	11-15-88
73	REVISED PER EC 0513-0543-04	11-15-88
74	REVISED PER EC 0513-0543-04	11-15-88
75	REVISED PER EC 0513-0543-04	11-15-88
76	REVISED PER EC 0513-0543-04	11-15-88
77	REVISED PER EC 0513-0543-04	11-15-88
78	REVISED PER EC 0513-0543-04	11-15-88
79	REVISED PER EC 0513-0543-04	11-15-88
80	REVISED PER EC 0513-0543-04	11-15-88
81	REVISED PER EC 0513-0543-04	11-15-88
82	REVISED PER EC 0513-0543-04	11-15-88
83	REVISED PER EC 0513-0543-04	11-15-88
84	REVISED PER EC 0513-0543-04	11-15-88
85	REVISED PER EC 0513-0543-04	11-15-88
86	REVISED PER EC 0513-0543-04	11-15-88
87	REVISED PER EC 0513-0543-04	11-15-88
88	REVISED PER EC 0513-0543-04	11-15-88
89	REVISED PER EC 0513-0543-04	11-15-88
90	REVISED PER EC 0513-0543-04	11-15-88
91	REVISED PER EC 0513-0543-04	11-15-88
92	REVISED PER EC 0513-0543-04	11-15-88
93	REVISED PER EC 0513-0543-04	11-15-88
94	REVISED PER EC 0513-0543-04	11-15-88
95	REVISED PER EC 0513-0543-04	11-15-88
96	REVISED PER EC 0513-0543-04	11-15-88
97	REVISED PER EC 0513-0543-04	11-15-88
98	REVISED PER EC 0513-0543-04	11-15-88
99	REVISED PER EC 0513-0543-04	11-15-88
100	REVISED PER EC 0513-0543-04	11-15-88