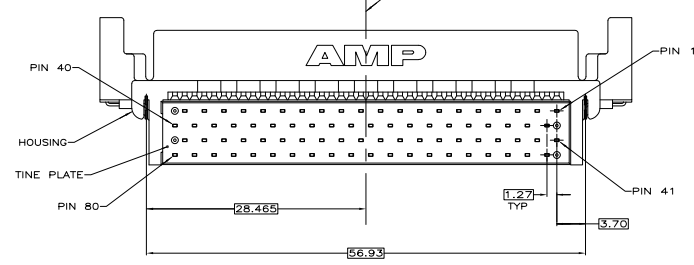
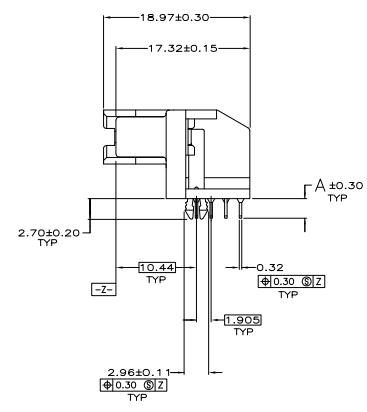
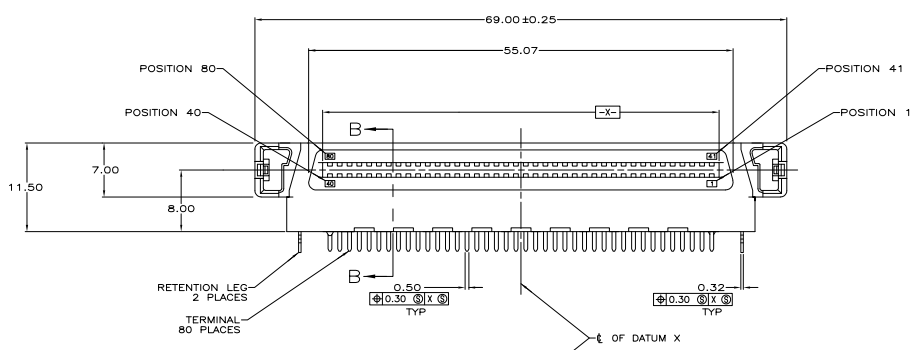


- △ HOUSING AND TINE PLATE: LCP, UL 94V-0 RATED, BLACK.
- TERMINALS: PHOSPHOR BRONZE.
- RETENTION LEGS: BRASS.
- △ TERMINALS: 0.76µm MIN GOLD FOR A LENGTH 1.20 MIN STARTING 0.50 MAX FROM MATING END, 3.81µm MIN TIN-LEAD FOR A LENGTH OF 3.40 MIN FROM OPPOSITE END, BOTH OVER 1.27µm MIN NICKEL.
- RETENTION LEGS: 3.81µm MIN TIN-LEAD OVER 1.27µm MIN NICKEL.
- △ CONNECTOR WILL ACCOMMODATE MATING PRINTED CIRCUIT BOARD OF 1.60±0.07.
- △ CONTACTS 1, 36 THRU 40, 41 THRU 43, 45, 46 AND 75 THRU 80 ARE POSITIONED TOWARD THE MATING FACE. (FIRST MATE)
- △ CONTACTS 2 THRU 35, 44, AND 47 THRU 74 ARE POSITIONED AWAY FROM THE MATING FACE. (SECOND MATE)
- △ TERMINALS: 0.76µm MIN GOLD FOR A LENGTH 1.20 MIN STARTING 0.50 MAX FROM MATING END, 3.81µm MIN TIN FOR A LENGTH OF 3.40 MIN FROM OPPOSITE END, BOTH OVER 1.27µm MIN NICKEL.
- RETENTION LEGS: 3.81µm MIN TIN OVER 1.27µm MIN NICKEL.



YES	△	3.05	80	787535-4
YES	△	2.54	80	787535-3
NO	△	3.05	80	787535-2
NO	△	2.54	80	787535-1
LEAD FREE	FINISH	A	NO OF POSN	PART NUMBER

THIS DRAWING IS A CONTROLLED DOCUMENT.

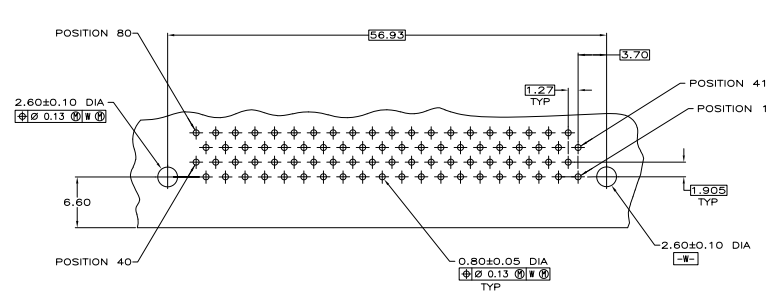
DESIGNED BY	APPROVED BY	DATE	REV
BY	BY	BY	BY
DATE	DATE	DATE	DATE
114-6061	100-1548-2	114-6061	100-1548-2
REV	REV	REV	REV
1	1	1	1
114-6061	100-1548-2	114-6061	100-1548-2
REV	REV	REV	REV
1	1	1	1
114-6061	100-1548-2	114-6061	100-1548-2

RECEPTACLE ASSEMBLY, RIGHT ANGLE, BOARD-TO-BOARD, .050, SERIES L, CHAMP BLINDMATE

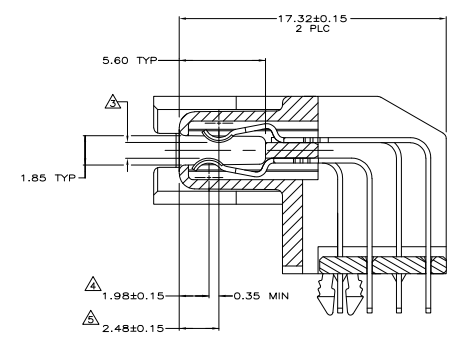
CUSTOMER DRAWING SCALE 4:1 SHEET 1 OF 2

THE DRAWING IS UNAPPROVED FOR PUBLICATION
 ALL RIGHTS RESERVED
 IF YOU ELECTRONICS CORPORATION

REV	DATE	DESCRIPTION	BY	CHK	APP
00					
SEE SHEET 1					



RECOMMENDED PC BOARD MOUNTING DIMENSIONS COMPONENT SIDE



SECTION B-B
 SCALE 8:1

THIS DRAWING IS A CONTROLLED DOCUMENT		REV	DATE	BY	CHK	APP
REVISIONS		00				
DESCRIPTION		RECEPTACLE ASSEMBLY, RIGHT ANGLE, BOARD-TO-BOARD, .050, SERIES L, CHAMP BLINDMATE				
DRAWN BY		J. SHERIDAN				
CHECKED BY		J. SHERIDAN				
APPROVED BY		J. SHERIDAN				
DATE		11-14-60				
SCALE		A1 00779 Q=7875.35				
MATERIAL		CUSTOMER DRAWING				
SHEET		4-1				
TOTAL SHEETS		2				
SCALE		4:1				
UNIT		M				