

4

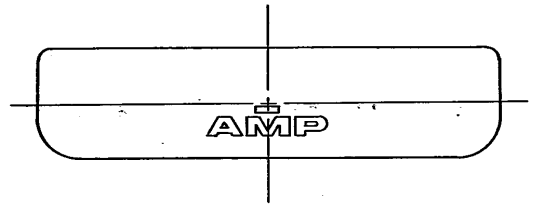
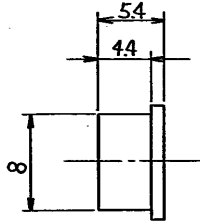
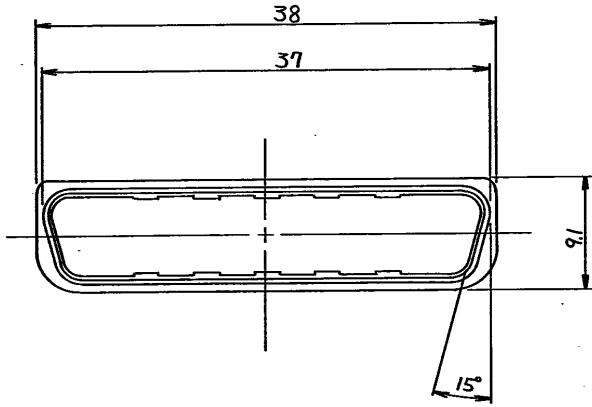
3

2

三角法 (THIRD ANGLE PROJECTION)



2-178952-7 : 未図
AS SHOWN



注記
NOTE

- 1. 材料 : 熱可塑性樹脂 (黒)
MATERIAL : THERMO PLASTIC (BLACK)
- 2. 適用コネクタ型番
APPLI CABLE CONNECTOR No: -175928-7 -176970-7 -178238-7
-175674-7 -176971-7 -178239-7
-176155-7 -176972-7 -178240-7
-175925-7 -176316-7
- 3. 一般公差 : $\pm 0.3, \pm 3^\circ$
GENERAL TOL.:

単位 : ㎜ DIMENSIONS IN ㎜. DO NOT SCALE PRINT

PRINT COPY

AMP-J 030-2
REV. 5/83

		AMP 日本電産株式会社 TOKYO, JAPAN	
品名 (NAME)		DUST COVER FOR CHAMP .050 II REC.	
線径 (WIRE RANGE)	絶縁径 (INSULATION DIA)	寸法 (SIZE)	品番 (NO.)
--- mm (AWG)	--- mm	B J	178952
材質 (MATERIAL)	仕上げ (FINISH)	縮尺 (SCALE)	REV.
---	---	3-1	0
DR. M. WASHIZU 27-NOV-71	DE	製図 (DRAWN)	検査 (CHECKED)
CHK. 9/20/72 H. Hoshino	APP. 13-NOV-72 T. Fujisawa	数量 (QTY)	シート (SHEET)
0 RELEASED (T-1031)	M.W. Y.F.	3-1	0 1 OF 1
LTR	REV (REVISION RECORD)	DR. CHK. DATE	

(CUSTOMER DRAWING) 参考図面