

4

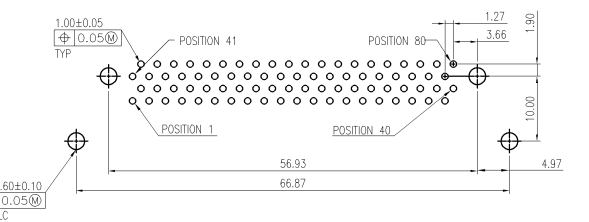
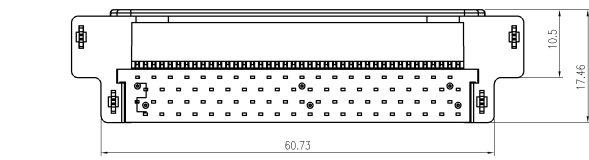
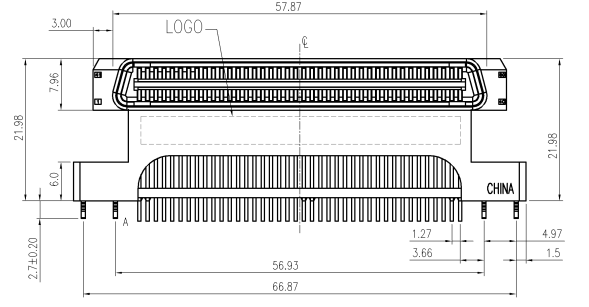
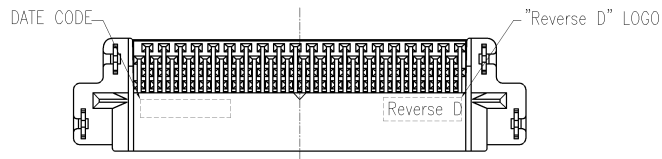
3

2

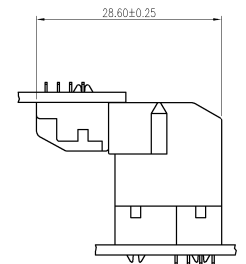
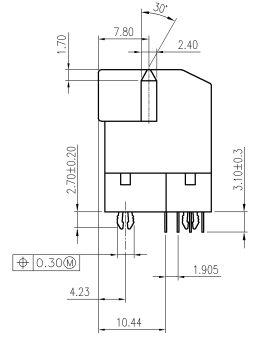
1

THIS DRAWING IS UNPUBLISHED. RELEASED FOR PUBLICATION
 © COPYRIGHT 2011 BY TYCO ELECTRONICS CORPORATION. ALL RIGHTS RESERVED.

LOC	DIST	REVISIONS				
P	LTR	DESCRIPTION	DATE	DWN	APVD	
C		(ECR-10-024779, IMPROVE 2041003-1 HSG STRUCTURE AND ADD PN 1-2041003-1)	11 JAN '11	E.L.	W.K.	



RECOMMENDED PC BOARD LAYOUT
 VIEWED FROM CONNECTOR SIDE



RIGHT ANGLE PLUG ASSEMBLY MATED
 WITH RIGHT ANGLE RECEPTACLE ASSEMBLY

- NOTE:
- MATERIAL:
 HOUSING: LCP, UL 94V-0, COLOR: BLACK.
 CONTACT: PHOSPHOR BRONZE, THICKNESS=0.30mm.
 RETENTION LEGS: BRASS, THICKNESS=0.50mm.
 - FINISH:
 CONTACT: GOLD FLASH OVER
 0.762um [30u"] MIN. PALLADIUM-NICKEL PLATED ON CONTACT AREA,
 3.8um [150u"] MIN. MATTE TIN PLATED ON SOLDER TAILS,
 1.27um [50u"] MIN. NICKEL UNDERPLATED ALL OVER.
 RETENTION LEGS: 3.8um [150u"] MIN. TIN-CU PLATED OVER
 1.27um [50u"] MIN. NICKEL PLATED.
 - ALWAYS RoHS/ELV COMPLIANT
 - WAVE SOLDER CAPABLE TO 265°C PER TE SPEC 109-202, CONDITION B.

REVERSED	1734375-1
INTERFACE	PART NUMBER

THIS DRAWING IS A CONTROLLED DOCUMENT.		DWN	O. HU	24OCT2006	TE Connectivity
DIMENSIONS:		CHK	S. HOU	24OCT2006	
mm		APVD	W. J. KE	24OCT2006	
TOLERANCES UNLESS OTHERWISE SPECIFIED:		NAME			
0 PLC	± 0.38	PRODUCT SPEC			
1 PLC	± 0.25	108-57876			
2 PLC	± 0.13	APPLICATION SPEC			
3 PLC	± 0.05	WEIGHT		-	
4 PLC	± -	SIZE		A3	
ANGLES	± 3°	CAGE CODE		00779	
MATERIAL	SEE NOTE	DRAWING NO		1734375	
FINISH	SEE NOTE	RESTRICTED TO		-	
CUSTOMER DRAWING		SCALE		-	
		SHEET		1 of 3	
		REV		C	

4

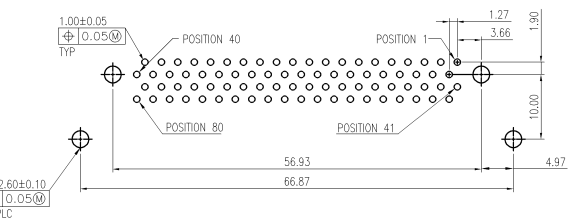
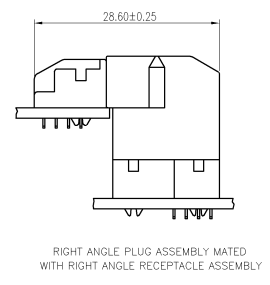
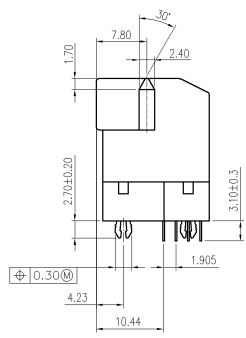
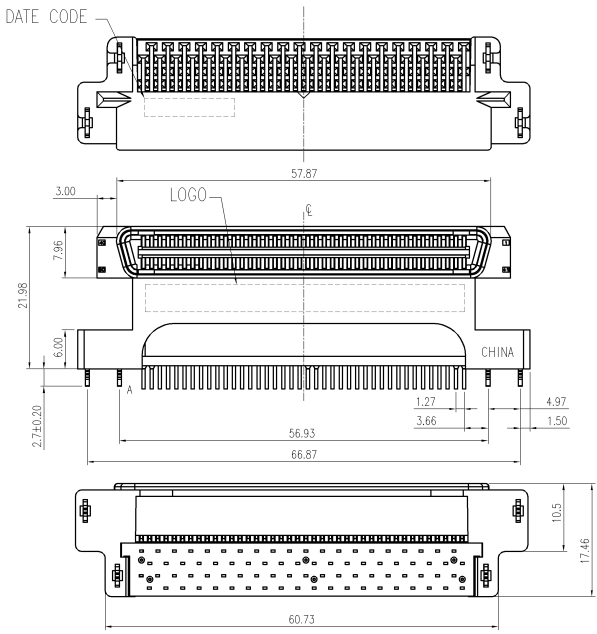
3

2

1

THIS DRAWING IS UNPUBLISHED. RELEASED FOR PUBLICATION
 © COPYRIGHT 2011 BY TYCO ELECTRONICS CORPORATION. ALL RIGHTS RESERVED.

LOC		DIST		REVISIONS			
P	LTR	DESCRIPTION	DATE	DWN	APVD		
SEE SHEET 1.							



RECOMMENDED PC BOARD LAYOUT
 VIEWED FROM CONNECTOR SIDE

THIS DRAWING IS A CONTROLLED DOCUMENT.

DIMENSIONS:	TOLERANCES UNLESS OTHERWISE SPECIFIED:
mm	0 PLC ± 0.38
	1 PLC ± 0.25
	2 PLC ± 0.13
	3 PLC ± 0.05
	4 PLC ± -
	ANGLES ± 3°

DWN	_____
CHK	_____
APVD	_____
PRODUCT SPEC	_____
APPLICATION SPEC	_____
WEIGHT	_____
CUSTOMER DRAWING	_____

NORMAL		1-1734375-1	
INTERFACE		PART NUMBER	
TE TE Connectivity			
NAME CHAMP 1.27, SERIES I, PLUG, ASS'Y, R/A, EXTENDED HEIGHT			
SIZE	CAGE CODE	DRAWING NO	RESTRICTED JO
A3	00779	C-1734375	---
SCALE		SHEET	REV
---		2 of 3	C

4

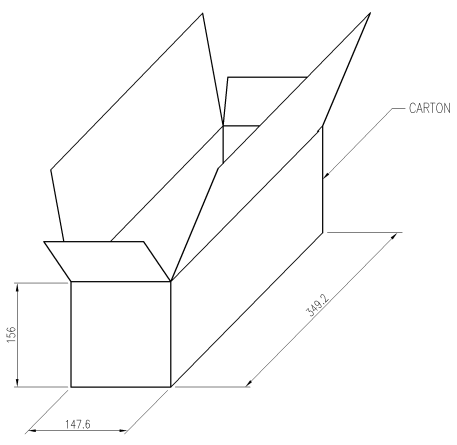
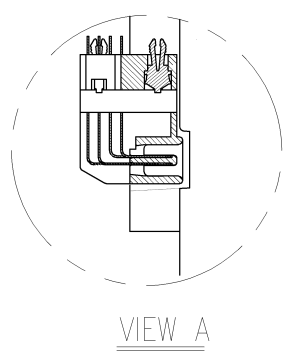
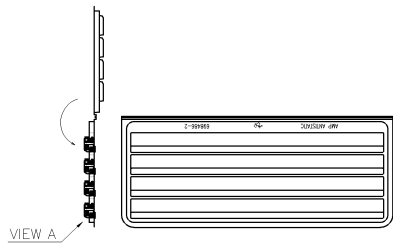
3

2

1

THIS DRAWING IS UNPUBLISHED. RELEASED FOR PUBLICATION
 © COPYRIGHT 2011 BY TYCO ELECTRONICS CORPORATION. ALL RIGHTS RESERVED.

LOC		DIST		REVISIONS			
P	LTR	DESCRIPTION		DATE	DWN	APVD	
		SEE SHEET 1.					



2.46	1.46	128	8	16	1-1734375-1
G.W(KGS)	N.W(KGS)	PACKAGING QUANTITY/BOX	TRAY/BOX	PCS/TRAY	PART NUMBER

THIS DRAWING IS A CONTROLLED DOCUMENT.		DWN			
DIMENSIONS: mm		CHK			
TOLERANCES UNLESS OTHERWISE SPECIFIED:		APVD	NAME		
0 PLC ± .05		PRODUCT SPEC		CHAMP 1.27, SERIES I, PLUG, ASS'Y, R/A, EXTENDED HEIGHT	
1 PLC ± .05		APPLICATION SPEC		SIZE CAGE CODE DRAWING NO	
2 PLC ± .05		WEIGHT		A3 00779 C-1734375	
3 PLC ± .05		CUSTOMER DRAWING		RESTRICTED TO	
4 PLC ± .05		SCALE		SHEET 3 of 3 REV C	
MATERIAL FINISH					