

**PolySwitch®**  
**PTC Devices**  
Overcurrent Protection Device

**PRODUCT: RUEF400-1**

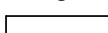

DOCUMENT: SCD26655  
REV LETTER: D  
REV DATE: FEBRUARY 06, 2012  
PAGE NO.: 1 OF 1


**Specification Status: Released**

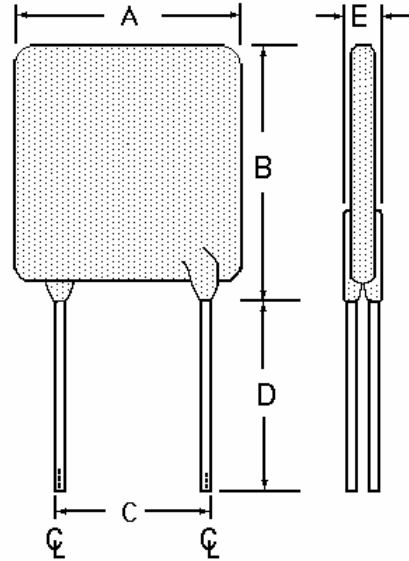
Maximum Electrical Rating at 20°C  
30 V<sub>DC</sub> / 100 A<sub>DC</sub>  
30 V<sub>AC</sub> / 70 A<sub>RMS</sub>

Insulating Material:  
Cured, Flame Retardant Epoxy Polymer  
meets UL94 V-0 Requirements

Lead Material:  
20 AWG Tin Plated Copper

Marking:  
 Manufacturer's Mark  
 U400 and Part Identification

 Lot Identification



**TABLE I. DIMENSIONS:**

	A		B		C		D		E	
	MIN	MAX	MIN	MAX	MIN	MAX	MIN	MAX	MIN	MAX
mm:	--	14.0	--	19.3	4.3	5.8	25.4	--	--	3.0
in*:	--	(0.55)	--	(0.76)	(0.17)	(0.23)	(1.00)	--	--	(0.12)

\*Rounded off approximation

**TABLE II. PERFORMANCE RATINGS:**

I HOLD	CURRENT RATINGS		TIME TO TRIP	RESISTANCE		ONE-HOUR POST-TRIP RESISTANCE STANDARD TRIP	TRIPPED POWER DISSIPATION	
	AMPS 20°C HOLD	AMPS AT 20°C HOLD   TRIP	SECONDS AT 20°C, 20.0A MAX	OHMS AT 20.0° C MIN   MAX		OHMS AT 20°C MAX	WATTS AT 20°C NOMINAL	WATTS AT 20°C MAX
4.00	4.00	8.00	12.7	0.01	0.03	0.05	2.50	2.68

Agency Recognitions: UL, CSA, TUV  
 Reference Documents: PS300  
 Precedence: This specification takes precedence over documents referenced herein.  
 Effectivity: Reference documents shall be the issue in effect on the date of invitation for bid.  
 CAUTION: Operation beyond the rated voltage or current may result in rupture, electrical arcing or flame.

**Materials Information**

ROHS Compliant

ELV Compliant

Pb-Free

Halogen Free\*



\* Halogen Free refers to: Br≤900ppm, Cl≤900ppm, Br+Cl≤1500ppm.

© 2006, 2012 Tyco Electronics Corporation, a TE Connectivity Ltd. Company. All rights reserved.