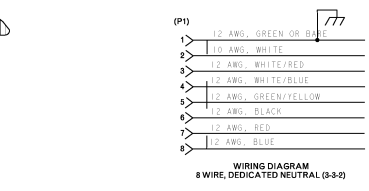
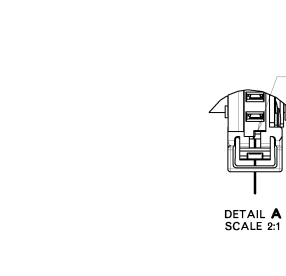
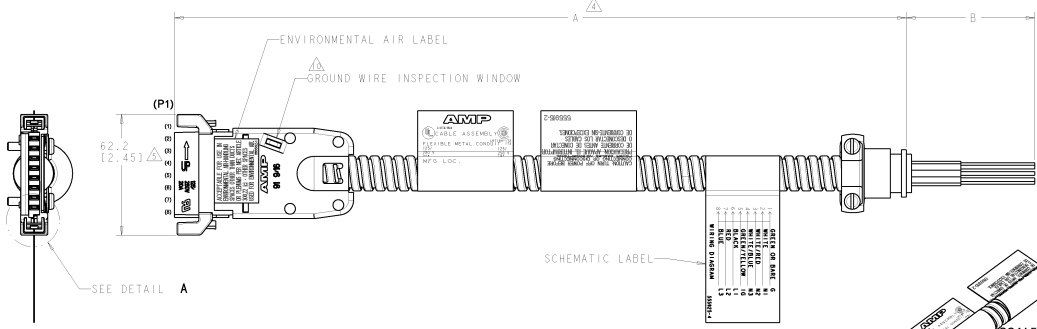
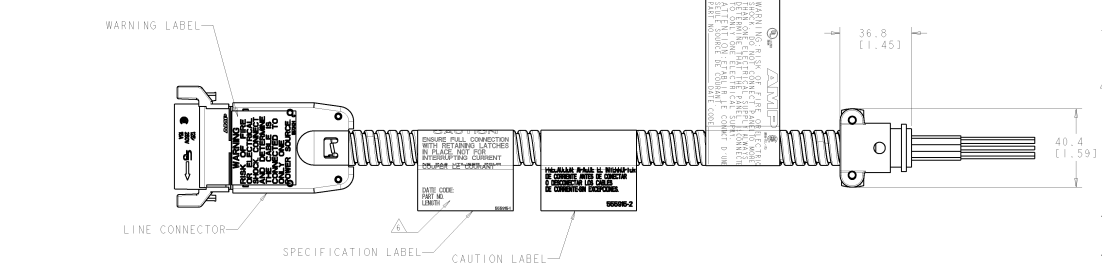
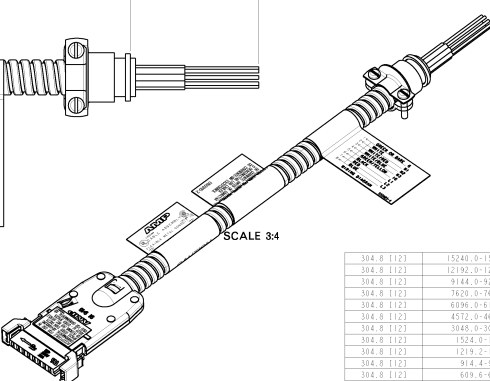


8	7	6	5	4	3	2	1
DATE REVISIONS TO BE INDICATED	REVISED FOR PUBLICITY						
BY: [signature]	BY: [signature]						

REV	DATE	DESCRIPTION	BY	CHK	APP
00					
1	03/07/02		BLUMBERG	JM	SJ
2	ECO-99-003835		HEIDENRICH	JM	SJ
3	REV: ECO-99-001445		STUMPF	GO	SJ
4	REV: ECO-99-013848		STUMPF	GO	SJ



- △ DIMENSIONS SHOWN ARE NOMINAL UNLESS OTHERWISE SPECIFIED.
- 2. CABLE ASSEMBLY IS WIRED PER WIRING DIAGRAM.
- △ MATERIAL:
- CONNECTOR HOUSINGS- POLYCARBONATE, UL 94V-0 RATED, NEMA 3P.
- STRAIN RELIEFS- CARBON STEEL WITH NICKEL PLATING 3.81µm [1.000200] MINIMUM THICK.
- CONTACTS- COPPER ALLOY WITH SILVER PLATED STRIP 3.81µm [1.000150] MINIMUM THICK.
- △ DIMENSION A SHALL BE MEASURED WITH CONDUIT IN THE RELAXED POSITION.
- △ DESIGNATIONS IN PARENTHESES ( ) ARE FOR REFERENCE ONLY.
- △ MANUFACTURING LOCATION, DATE CODE, PART NUMBER AND LENGTH SHALL BE INK STAMPED APPROXIMATELY WHERE INDICATED
- 7. APPLICATION: AMP INERGY (TM) - MODULAR POWER DISTRIBUTION SYSTEM, A MANUFACTURED WIRING SYSTEM.
- △ CABLE CONNECTOR MATES WITH DEDICATED NEUTRAL (3-3-2) POWER CONNECTOR CABLE ASSEMBLIES. KEYING FEATURE MAINTAINS CORRECT POLARITY OF MATING POWER CONNECTORS.
- △ TABS FOR POSITIVE LATCHING TO MATING COMPONENTS.
- △ USE GROUND WIRE INSPECTION WINDOW TO VERIFY BONDING AND GROUNDING CONDUCTOR.



304.8 (12)	15240.0-15316.2 [480.00-463.00]	5-1933403-0	15.24 [50.00]
304.8 (12)	12192.0-12268.2 [480.00-483.00]	4-1933403-0	12.19 [40.00]
304.8 (12)	9144.0-9220.2 [360.00-363.00]	3-1933403-0	9.14 [30.00]
304.8 (12)	7620.0-7696.2 [300.00-303.00]	2-1933403-5	7.62 [25.00]
304.8 (12)	6096.0-6146.8 [240.00-242.00]	2-1933403-0	6.10 [20.00]
304.8 (12)	4572.0-4622.8 [180.00-182.00]	1-1933403-5	4.57 [15.00]
304.8 (12)	3048.0-3073.4 [120.00-121.00]	1-1933403-0	3.05 [10.00]
304.8 (12)	1524.0-1549.8 [60.00-60.75]	1933403-5	1.52 [5.00]
304.8 (12)	1219.2-1231.8 [48.00-48.50]	1933403-4	1.22 [4.00]
304.8 (12)	914.4-927.1 [36.00-36.50]	1933403-3	0.91 [3.00]
304.8 (12)	609.6-622.3 [24.00-24.50]	1933403-2	0.61 [2.00]
304.8 (12)	304.8-317.5 [12.00-12.50]	1933403-1	0.30 [1.00]

DIMENSIONS: INCHES (MILLIMETERS) DIMENSIONS: MILLIMETERS (INCHES)		PART NUMBER: 1933403-0 REF DIM: 15.24	
MATERIAL: POLYCARBONATE FINISH: POLYCARBONATE		DATE: 03/07/02 BY: BLUMBERG	
CUSTOMER DRAWING: 1933403-0		PART NUMBER: 1933403-0 REF DIM: 15.24	