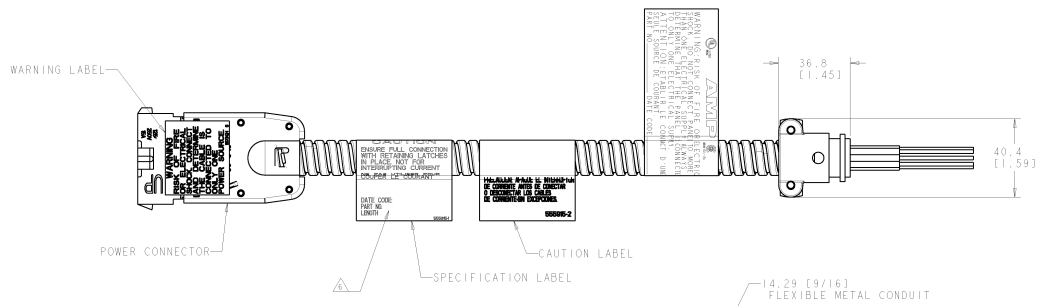
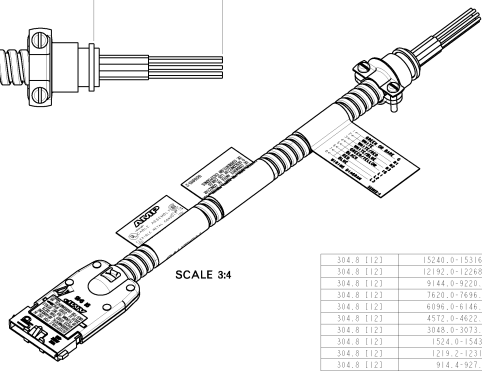
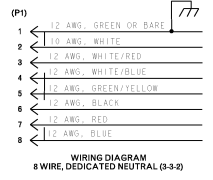
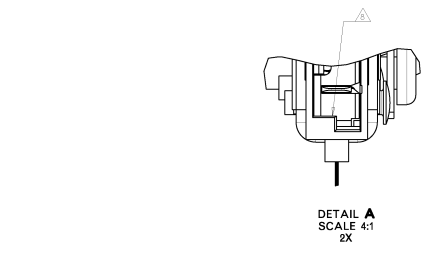
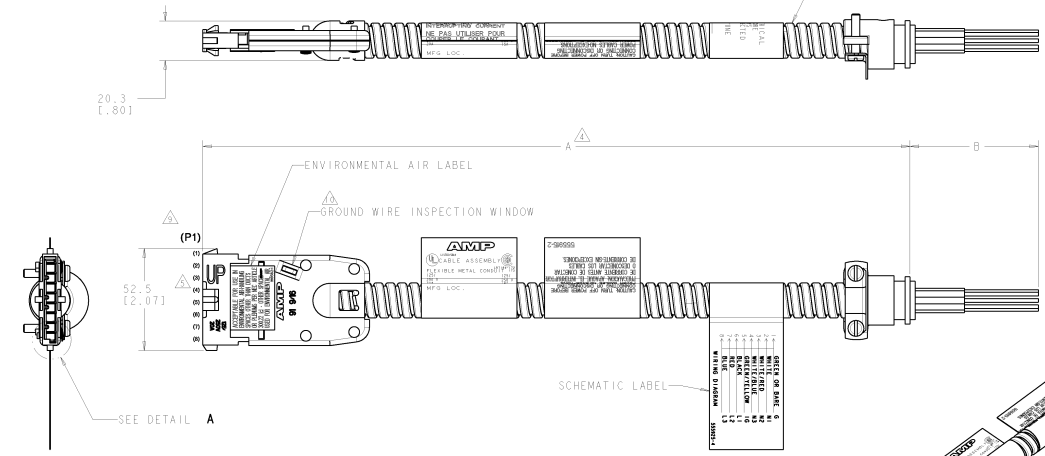


REV	DATE	DESCRIPTION	BY	CHK	APP
00					
01	08/01/2008	INITIAL RELEASE	MM	JJ	
02	08/01/2008	ECO-08-003885	MM	JJ	
03	08/01/2008	REV: ECO-08-001445	MM	JJ	
04	08/01/2008	REV: ECO-09-013848	MM	JJ	



- △ DIMENSIONS SHOWN ARE NOMINAL UNLESS OTHERWISE SPECIFIED.
- 2. CABLE ASSEMBLY IS WIRED PER WIRING DIAGRAM.
- MATERIAL:
- CONNECTOR HOUSINGS- POLYCARBONATE, UL 94V-0 RATED, NEMA GRAY.
- STRAIN RELIEFS- CARBON STEEL WITH NICKEL PLATING 3.08µm (1.000200) MINIMUM THICK.
- CONTACTS- COPPER ALLOY WITH SILVER PLATED STRIP 3.81µm (1.000150) MINIMUM THICK.
- △ DIMENSION A SHALL BE MEASURED WITH CONDUIT IN THE RELAXED POSITION.
- △ DESIGNATIONS IN PARENTHESES () ARE FOR REFERENCE ONLY.
- △ MANUFACTURING LOCATION, DATE CODE, PART NUMBER AND LENGTH SHALL BE INK STAMPED APPROXIMATELY WHERE INDICATED
- 7. APPLICATION: AMP/INERGY (TM) - MODULAR POWER DISTRIBUTION SYSTEM, A MANUFACTURED WIRING SYSTEM.
- △ CABLE CONNECTOR MATES WITH DEDICATED NEUTRAL (3-3-2) LINE CONNECTOR CABLE ASSEMBLIES, JUNCTION BOXES, POWER STRIPS, ZONE DISTRIBUTION BOXES (ZDB) AND POWER DISTRIBUTION MODULES (PDM). KEYING FEATURE MAINTAINS CORRECT POLARITY OF MATING LINE CONNECTORS.
- △ TABS FOR POSITIVE LATCHING TO MATING COMPONENTS.
- △ USE GROUND WIRE INSPECTION WINDOW TO VERIFY BONDING AND GROUNDING CONDUCTOR.



QTY	DESCRIPTION	QTY	DESCRIPTION	QTY	DESCRIPTION
304.8 (12)	15240.0-15316.2 (1600.00-603.00)	5	1933402-0	15.24 (50.00)	
304.8 (12)	12192.0-12268.2 (1480.00-483.00)	4	1933402-0	12.19 (40.00)	
304.8 (12)	9144.0-9220.2 (1360.00-363.00)	2	1933402-0	9.14 (30.00)	
304.8 (12)	1620.0-1696.2 (1300.00-393.00)	2	1933402-5	7.62 (25.00)	
304.8 (12)	6196.0-6146.8 (1240.00-242.00)	2	1933402-0	6.10 (20.00)	
304.8 (12)	4572.0-4622.8 (1180.00-182.00)	1	1933402-5	4.57 (15.00)	
304.8 (12)	3048.0-3093.4 (1120.00-121.00)	1	1933402-0	3.05 (10.00)	
304.8 (12)	1524.0-1543.8 (140.00-60.75)		1933402-5	1.52 (5.00)	
304.8 (12)	1219.2-1231.8 (148.00-48.50)		1933402-4	1.22 (4.00)	
304.8 (12)	914.4-927.8 (136.00-36.50)		1933402-3	0.91 (3.00)	
304.8 (12)	609.6-622.3 (124.00-24.50)		1933402-2	0.61 (2.00)	

DIMENSIONS UNITS (INCHES) DRAWING SCALE 1:1 MATERIAL POLYCARBONATE	PART NUMBER 1933402-0 1933402-5 1933402-4 1933402-3 1933402-2	PART NUMBER 1933402-0 1933402-5 1933402-4 1933402-3 1933402-2	REF DIM 15.24 (50.00) 12.19 (40.00) 9.14 (30.00) 7.62 (25.00) 6.10 (20.00) 4.57 (15.00) 3.05 (10.00) 1.52 (5.00) 1.22 (4.00) 0.91 (3.00) 0.61 (2.00)
---	--	--	---

MANUFACTURER Tyco Electronics DATE: 08/01/2008	PART NUMBER CABLE ASSEMBLY, POWER ENTRY 3-3-2	DATE CODE 08081234	PART NUMBER 1933402-0	REF DIM 15.24 (50.00)
--	---	-----------------------	--------------------------	--------------------------