

4

3

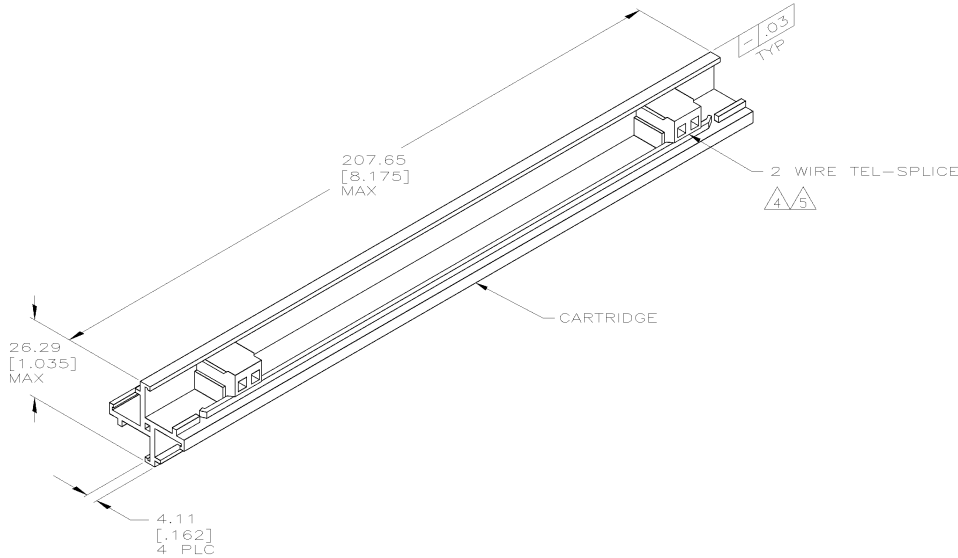
2

1

THIS DRAWING IS UNPUBLISHED. RELEASED FOR PUBLICATION
 © 2009 Tyco Electronics Corporation. ALL RIGHTS RESERVED.

LOC	DIST	REVISIONS				
BY	NO	REV	DESCRIPTION	DATE	OWN	APPD
EY	00	G	REDWN & REV- EC 0340-0026-02	07MAR02	LH	LS

- 1 MATERIAL: CARTRIDGE-RIGID PVC, WHITE. HOUSING-POLYPROPYLENE, CLEAR. TERMINALS-TIN PLATED PHOS BRONZE.
- 2. WIRE RANGE: 19-26 AWG SOLID COPPER CONDUCTORS.
- 3 TEL-SPLICE ASSEMBLIES WITHOUT SEALANT (UNFILLED) SHALL BE YELLOW.
- 4 PART NUMBERS 552966 -2, -4, -5 AND -7 REQUIRES 72 TEL-SPLICE ASSEMBLIES PER CARTRIDGE.
- 5 PART NUMBER 552966-6 REQUIRES 20 TEL-SPLICE ASSEMBLIES PER CARTRIDGE.



DESCRIPTION	PART NO.
UNFILLED	552966-7
FILLED	552966-6
UNFILLED	552966-5
UNFILLED, FLM RTD	552966-4
FILLED	552966-2

THIS DRAWING IS A CONTROLLED DOCUMENT		DWG: L HALL 06MAR2002 CHK: J SMITH 07MAR02 APPR: F SHRYN 07MAR02 TITLE: CARTRIDGE ASSEMBLY, 2-WIRE, TEL-SPLICE	Tyco Electronics Tyco Electronics Corporation Harrisburg, Pa., 17105-3608
DIMENSIONS: mm (INCHES) DIMENSIONS IN PARENTHESES ARE IN INCHES.	Q. PLC # - - R. PLC # - - S. PLC # - - T. PLC # - - U. PLC # - - V. ANGLE # - -	APPLICATION SPEC: - WEIGHT: -	SEE CASE CODE DRAWING NO: A2 00779 C=552966 RESTRICTED TO: -
MATERIAL: -	FINISH: -	CUSTOMER DRAWING	SCALE: NTS SHEET 1 OF 1 REV: G

AMP 1471-9 REV 31MAR0000

E:\0340-0026-02-1h\552966_1-c.dwg

552966

A