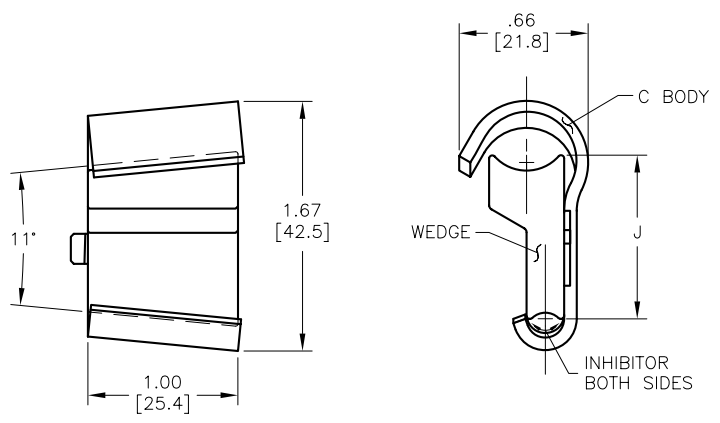


LOC	DIST	REVISIONS					
GA	1	P	LTR	DESCRIPTION	DATE	DWN	APVD
		E		LC20-0064-09 / ECO-09-014538	11JUN2009	DM	BJ



	26.67 [1.05]	5-83017-8	1-83017-3
	28.70 [1.13]	-	1-83017-2
OBSELETE	29.72 [1.17]	-	1-83017-1
OBSELETE	31.24 [1.23]	-	1-83017-0
	32.51 [1.28]	-	83017-9
	33.27 [1.31]	-	83017-8
	31.24 [1.23]	5-83017-7	83017-7
	23.37 [.92]	-	83017-6
	27.69 [1.09]	5-83017-5	83017-5
	28.96 [1.14]	5-83017-4	83017-4
	30.23 [1.19]	5-83017-3	83017-3
	24.64 [.97]	-	83017-2
	26.16 [1.03]	-	83017-1
	J DIMENSION IN INCHES [mm]		ALTN NO $\Delta$ PART NO

- 1 MATERIAL:  
C BODY, WEDGE: COPPER ALLOY, 80% MIN. Cu CONTENT
- 2. DIMENSIONS ARE FOR REFERENCE ONLY
- 3. ALTERNATE PART NO. HAS LIMITED PACKAGING INFORMATION.

THIS DRAWING IS A CONTROLLED DOCUMENT. DWN V. COTA 06/92

DIMENSIONS: INCHES [mm]	TOLERANCES UNLESS OTHERWISE SPECIFIED:	0 PLC ±	1 PLC ±	2 PLC ±	3 PLC ±	4 PLC ±	ANGLES ±	FINISH -	APVD -	NAME	Tyco Electronics Corporation Markham, ON L3R-1E1
									PRODUCT SPEC -	C-LOK	
MATERIAL $\Delta$									APPLICATION SPEC -	SIZE A3	CAGE CODE 00779
									WEIGHT -	DRAWING NO C-83017	RESTRICTED TO -
									CUSTOMER DRAWING	SCALE NTS	SHEET 1 OF 1 REV E