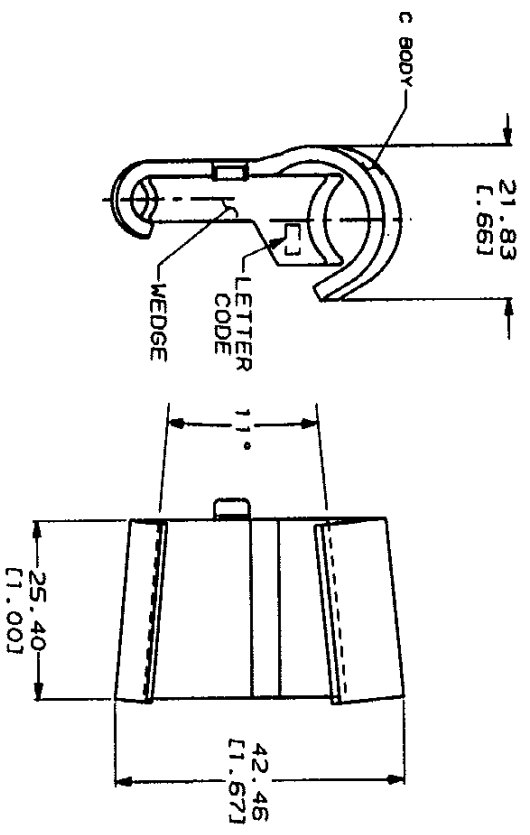


REV. NO.	DATE	APP'D	DESCRIPTION
1	1 APR 93	JR	REV PER EC-2000-052-93



1 MATERIAL:
 C BODY, WEDGE: COPPER ALLOY.

2 DIMENSIONS ARE FOR REFERENCE ONLY

LETTER CODE	PART NO
N	1-81713-3
J	1-81713-2
F	1-81713-1
D	1-81713-0
C	81713-9
B	81713-8
L	81713-7
M	81713-6
K	81713-5
E	81713-4
H	81713-3
G	81713-2
A	81713-1

METRIC

DO NOT SCALE DRAWING DIMENSIONS IN mm (INCHES) 3 PLACES DEC. (1/16") 2 PLACES DEC. (1/32") 1 PLACE DEC. (1/64") MATERIAL:	OR V. COUL. OR E. STANDARD OR PRODUCT SPEC.	NAME AMP AMP of CANADA Ltd. Markham, Ont.	PART NO C-LOK 81713
FINISH:	APPLICATION SPEC.	SIZE 09482	QUANTITY NO 81713
SCALE NTS	SHEET 1 OF 1	CUSTOMER DRAWING	