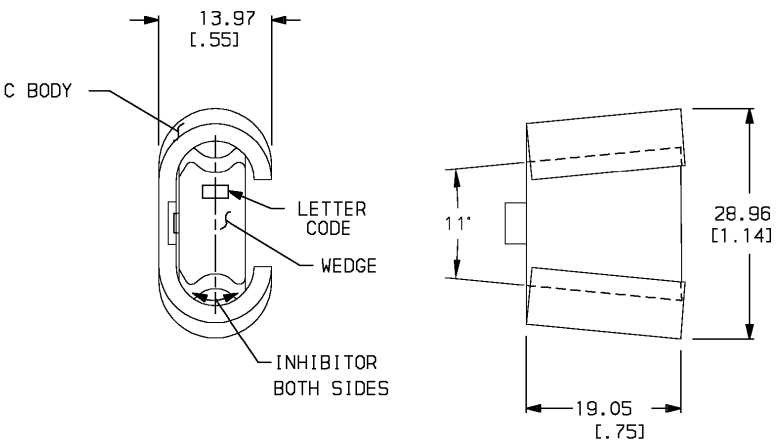


THIS DRAWING IS UNPUBLISHED. RELEASED FOR PUBLICATION
 © COPYRIGHT BY TYCO ELECTRONICS CORPORATION. ALL RIGHTS RESERVED.

LOC	DIST	REVISIONS			
P	LTR	DESCRIPTION	DATE	DWN	APVD
L		PER LC20-0200-07 / ECO-07-021365	24SEP07	DM	BJ



OBSOLETE

LETTER CODE	ALTN NO	PART NO
V	-	1-81663-9
A	-	1-81663-8
T	-	1-81663-7
S	-	1-81663-6
R	6-81663-5	1-81663-5
N	-	1-81663-3
M	-	1-81663-2
L	6-81663-1	1-81663-1
K	-	1-81663-0
J	-	81663-9
I	-	81663-8
G	-	81663-6
E	5-81663-5	81663-5
D	-	81663-4
B	-	81663-3
C	-	81663-2
F	-	81663-1

- 1 MATERIAL:
C BODY, WEDGE: COPPER ALLOY.
- 2 DIMENSIONS ARE FOR REFERENCE ONLY
- 3 ALTERNATE PART NO. HAS LIMITED PACKAGING INFORMATION.

THIS DRAWING IS A CONTROLLED DOCUMENT.		DWN V. COTA 06/92	Tyco Electronics Corporation Markham, ON L3R-1E1	
DIMENSIONS: INCHES	TOLERANCES UNLESS OTHERWISE SPECIFIED:	CHK -	NAME	
0 PLC ±	1 PLC ±	APVD -	C-LOK	
2 PLC ±	3 PLC ±	PRODUCT SPEC -	SIZE	CAGE CODE
4 PLC ±	ANGLES ±	APPLICATION SPEC -	A3	00779
MATERIAL	FINISH	WEIGHT -	DRAWING NO	RESTRICTED TO
1	TIN PLATED	CUSTOMER DRAWING	C-81663	-
SCALE NTS			SHEET 1 OF 1	REV L