

4

3

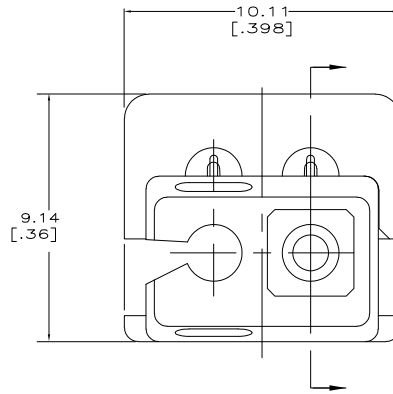
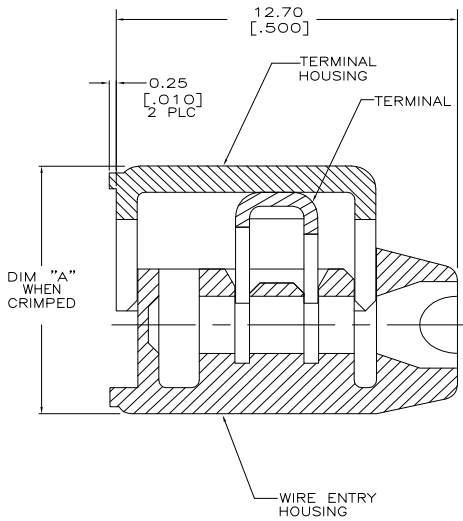
2

1

THIS DRAWING IS UNPUBLISHED. RELEASED FOR PUBLICATION - 28AUG2002
 © COPYRIGHT BY TYCO ELECTRONICS CORPORATION. ALL RIGHTS RESERVED.

LOC	DIST	REVISIONS			
HM	00	F	LR		
		N	REV PER ECO-06-000425	11APR06	WS NJ
		P	REV ECO-06-026329	19JAN07	LH NJ

- ALL DIMENSIONS ARE MAXIMUM UNLESS OTHERWISE SPECIFIED.
- MATERIAL: HOUSING - POLYCARBONATE CLEAR. TERMINALS - TIN PLATED PHOSPHOR BRONZE.
- WIRE RANGE: 19-26 AWG SOLID COPPER CONDUCTORS.
- TEL-SPLICE ASSEMBLIES WITHOUT SEALANT (UNFILLED) SHALL BE YELLOW.



6.66 [.262]	24-26
7.01 [.276]	19-22
DIM "A"	WIRE AWG

100/BOX	FILLED	1-553397-3
BULK	UNFILLED	1-553397-2
100/BOX	UNFILLED	1-553397-1
1000/BOX	FILLED	553397-3
1000/TUB	UNFILLED	553397-1
PACKAGED	DESCRIPTION	PART NUMBER

THIS DRAWING IS A CONTROLLED DOCUMENT. DIM: C. GARRETT 040C12002
 CHK: L. SMITH 28AUG2002
 ZIPC: A. KINKA
 PRODUCT SPEC: -
 APPLICATION SPEC: -
 WEIGHT: -
 MATERIAL: -
 FINISH: -

TYCO Electronics Corporation
 Harrisburg, PA 17105-3608

TEL-SPLICE ASSEMBLY,
 HALF TAP, 2 WIRE,
 FLAME RETARDANT

SIZE: A2 CASE CODE: 00779 DRAWING NO: C-553397
 CUSTOMER DRAWING SCALE: 1:1 SHEET: 1 OF 1 REV: P