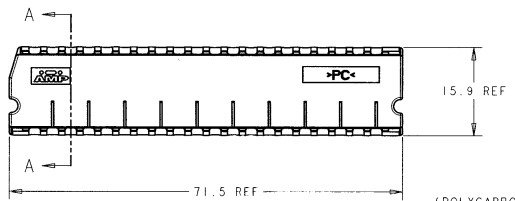
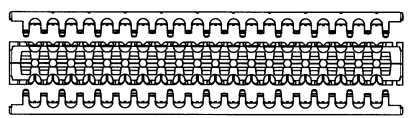


LOC	REV	REVISIONS	DATE	BY	APP
AL	1	REVISIONES			
		DESCRIPCION			
	A	EC ES00-0007-97	06MAY97	RSA	JS



SCALE 2:1

- △ PACKAGING, 1 BOX WITH 10 BAGS
EACH BAG CONTAINS:
1 BAG WITH 10 UNITS ITEM 1 OR 2
1 BAG WITH 10 UNITS ITEM 3
1 BAG WITH 10 UNITS ITEM 4 OR 5
- △ MARKING CHAMFER OF ALL LARGE GUIDE PINS
IN RESISTANT BLACK COLOR
- △ STANDARD LABELING

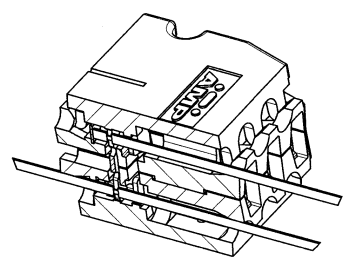
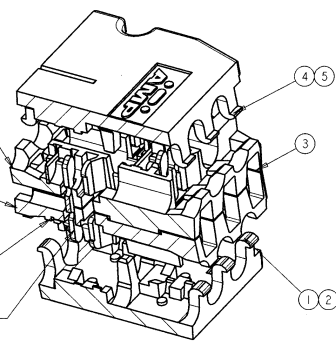
- △ EMBALAJE, 1 CAJA CON 10 BOLSAS
CADA BOLSA CONTIENE:
1 BOLSA CON 10 UNIDADES ITEM 1 o 2
1 BOLSA CON 10 UNIDADES ITEM 3
1 BOLSA CON 10 UNIDADES ITEM 4 o 5
- △ MARCADO DE LOS CHAFLANES DE LOS TONOS-GUIA
LARGOS EN COLOR NEGRO RESISTENTE
- △ ETIQUETADO ESTANDAR

UPPER BODY
(POLYCARBONATE IVORY COLORED)
CUERPO SUPERIOR
(POLICARBONATO COLOREADO MARFIL)

LOWER BODY
(POLYCARBONATE GREEN COLORED)
CUERPO INFERIOR
(POLICARBONATO COLOREADO VERDE)

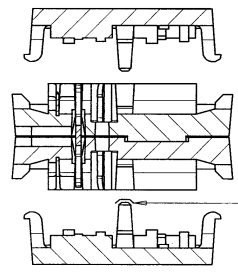
CUT-OFF BLADE (STAINLESS STEEL)
CUCHILLA DE CORTE (ACERO INOXIDABLE)

SPLICING CONTACT
(PHOSPHOR BRONZE, FINISH: TIN PLATED)
CONTACTO EMPALME
(BRONCE FOSFOROSO, ACABADO: ESTANADO)

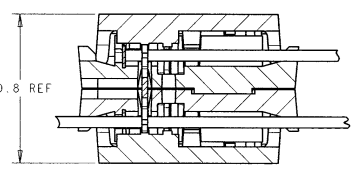


PERSPECTIVE OF SECTION A-A (BEFORE CRIMPING)
SCALE 5:1

PERSPECTIVE OF SECTION A-A (AFTER CRIMPING)
SCALE 5:1



SECTION A-A (BEFORE CRIMPING)
SCALE 5:1



SECTION A-A (AFTER CRIMPING)
SCALE 5:1

QTY PER KIT	DESCRIPTION	MATERIAL	COLOR	ITEM
1	COVER, 10 PAIRS, AMP STACK MARK IV TAPA, 10 PARES, AMP STACK MARK IV	POLYCARBONATE POLICARBONATO	TRANSPARENT TRANSPARENTE	5
1	COVER, 10 PAIRS, AMP STACK MARK IV TAPA, 10 PARES, AMP STACK MARK IV	POLYCARBONATE POLICARBONATO	IVORY MARFIL	4
1	HALF-TAP BODY ASSY, 10 PAIRS, AMP STACK MARK IV CJTO CUERPO DERIVACION, 10 PARES, AMP STACK MARK IV	SEE DETAIL VER DETALLE	SEE DETAIL VER DETALLE	3
1	BASE, 10 PAIRS, AMP STACK MARK IV BASE, 10 PARES, AMP STACK MARK IV	POLYCARBONATE POLICARBONATO	TRANSPARENT TRANSPARENTE	2
1	BASE, 10 PAIRS, AMP STACK MARK IV BASE, 10 PARES, AMP STACK MARK IV	POLYCARBONATE POLICARBONATO	GREEN VERDE	1

<p>THIS DRAWING IS UNPUBLISHED. PLANO NO PUBLICADO. RELEASED FOR THE PUBLIC BY AMP INCORPORATED. TODOS LOS DERECHOS RESERVADOS. © COPYRIGHT 1986</p> <p>DIMENSIONES: DIMENSIONS</p> <p>OTHER SPECIFICATIONS: OTROS DATOS ESPECIFICATIVOS</p> <p>TOLERANCES: TOLERANCIAS</p> <p>0 P.L.C. (LONG. ±0.15)</p> <p>1 P.L.C. (LONG. ±0.1)</p> <p>2 P.L.C. (LONG. ±0.07)</p> <p>3 P.L.C. (LONG. ±0.05)</p> <p>4 P.L.C. (LONG. ±0.03)</p> <p>ANGLE/ANGULO: 81</p> <p>FINISH/ACABADO</p>	<p>DATE/FECHA: 17-Jan-96</p> <p>DESIGNED BY/DISEÑADO POR: J. GAINAL</p> <p>DATE/FECHA: 8-Jan-96</p> <p>DESIGNED BY/DISEÑADO POR: I. SANBARRA</p> <p>DATE/FECHA: 12-May-97</p> <p>DESIGNED BY/DISEÑADO POR: P. DURAN</p>	<p>AMP AMP Española S.A. Barcelona, Spain.</p>
<p>PRODUCT SPEC: AMP STACK MARK IV</p> <p>DATE OF PRODUCT SPEC: 108-22075</p> <p>APPLICATION SPEC: ESPR 174-22007</p> <p>WEIGHT: PEGU</p>	<p>NAME: HALF-TAP CONNECTOR KIT, 10 PAIRS, AMP STACK MARK IV</p> <p>SIZE: A2</p> <p>CAGE CODE: 00779</p> <p>DRAWING NO: 737860</p> <p>SCALE: 5:1</p> <p>SHEET NO: 1</p> <p>TOTAL SHEETS: 1</p> <p>REV: A</p>	<p>CUSTOMER DRAWING / PLANO DE CLIENTE</p>

ORIGINAL