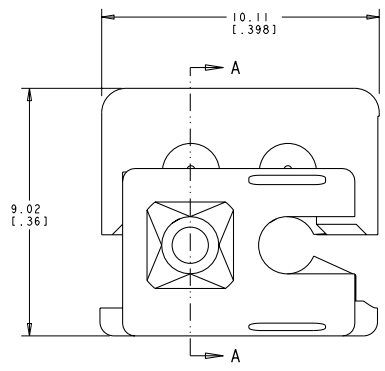
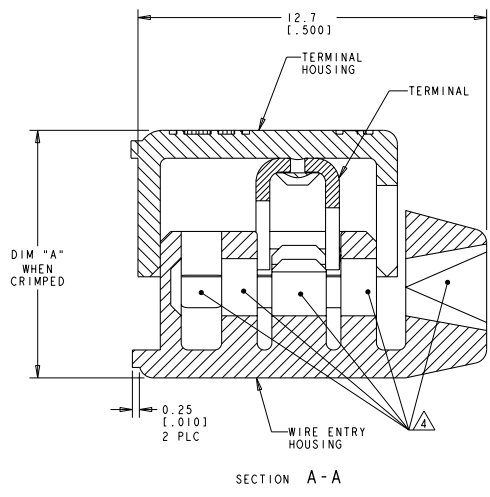


4 3 2 1

THIS DRAWING IS UNPUBLISHED. RELEASED FOR PUBLICATION  
 BY TYCO ELECTRONICS CORPORATION. ALL RIGHTS RESERVED.

LOC	DISP	REV	DESCRIPTION	DATE	BY	APPD
HM	00	V	REV ECO-09-001811	29JAN2009	LH	JJ



- ALL DIMENSIONS ARE MAXIMUM UNLESS OTHERWISE SPECIFIED.
- MATERIAL: HOUSING - POLYPROPYLENE BLUE. TERMINALS - TIN PLATED PHOSPHOR BRONZE.
- WIRE RANGE: 19-26 AWG SOLID COPPER CONDUCTORS.
- SEALANT ADDED TO ASSEMBLY IN THESE AREAS.
- TEL-SPLICE ASSEMBLIES WITHOUT SEALANT (UNFILLED) SHALL BE YELLOW.
- SEE RESTRICTED CUSTOMER DRAWING.

6.66 [.262]	24-26
7.01 [.276]	19-22
DIM "A"	WIRE AWG

PACKAGE	DESCRIPTION	PART NUMBER	
100/BOX	FILLED	1-553017-7	
<b>OBsolete</b>	BULK	FILLED	1-553017-6
<b>OBsolete</b>	BULK	UNFILLED	1-553017-5
100/BOX	UNFILLED	1-553017-4	
100/BOX	FILLED	1-553017-2	
SUPERSEDED BY 1-553017-2	100/BOX	1-553017-1	
1000/TUB	UNFILLED	553017-4	
<b>OBsolete</b>	1000/TUB	553017-3	
1000/TUB	FILLED	553017-2	
SUPERSEDED BY 553017-2	1000/TUB	553017-1	

DIMENSIONS: mm (INCHES) 0 PLC ±.1 1 PLC ±0.1 2 PLC ±0.03 3 PLC ±.005 4 PLC ±0.0005 ANGLES ±1		DWG: S. WEIGERT 21FE801 CHK: A. NESIOR 21FE801 APPD: A. NESIOR 21FE801	Tyco Electronics Harrisburg, PA 17105-3608
MATERIAL:  -		APPLICATION SPEC: 114-6010 WEIGHT: - FINISH:	TITLE: TEL-SPLICE ASSEMBLY HALF TAP, 2 WIRE CASE CODE: A2 DRAWING NO: 00779 PART NUMBER: 553017
CUSTOMER DRAWING		SCALE: 0:1 SHEET: 1 OF 1 REV: V	RESTRICTED TO: -

553017