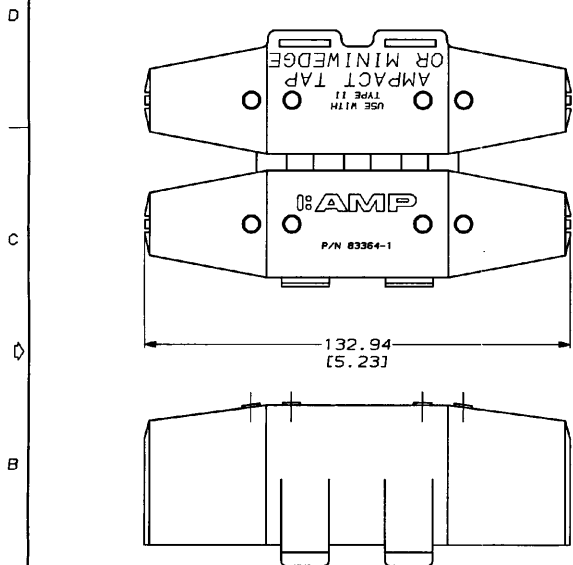


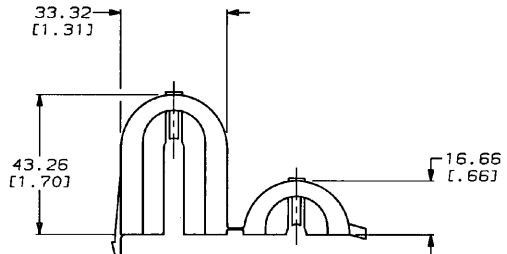
DRAWING MADE IN THIRD ANGLE PROJECTION

THIS DRAWING IS UNPUBLISHED. RELEASED FOR PUBLICATION  
 © COPYRIGHT 19 BY AMP OF CANADA LTD. ALL INTERNATIONAL RIGHTS RESERVED.

LOC		DIST		ZONE		LTR		REVISIONS		DATE	APPD
BG	5							C	REV PER 2000-028-94	MAR94	[Signature]



- 1 FOR USE WITH ALL TYPE II CODED TAPS AND MINI WEDGE.
- 2 ALL DIMENSIONS ARE NOMINAL.



		83364-1		PART NO	
DO NOT SCALE PRINT. UNLESS SPECIFIED DIMENSIONS IN mm (INCHES) TOLERANCES ON: 2 PLD DEC # - 3 PLD DEC # - ANGLES # -		DR G. RICHTER 26.8.93	CHK -	<b>AMP</b> AMP of CANADA Ltd. Markham, Ont.	
MATERIAL LOW DENSITY POLYETHYLENE BLACK	FINISH -	APPD C. BRESLER 29.8.93	NAME	TAP COVER, AMPACT TYPE II/MINI WEDGE	
		PRODUCT SPEC		SIZE B	CAGE CODE 09482
		APPLICATION SPEC		DRAWING NO 83364	
		WEIGHT		SCALE NTS	SHEET 1 OF 1

**METRIC**

AMP 1470-15 REV 11-89  
 15 MAR 1994 10.08.10 H1722 <CAD/CAM>DFPTMF6>H1322>U.028-94

CUSTOMER DRAWING

10.08.10 H1722 <CAD/CAM>DFPTMF6>H1322>U.028-94