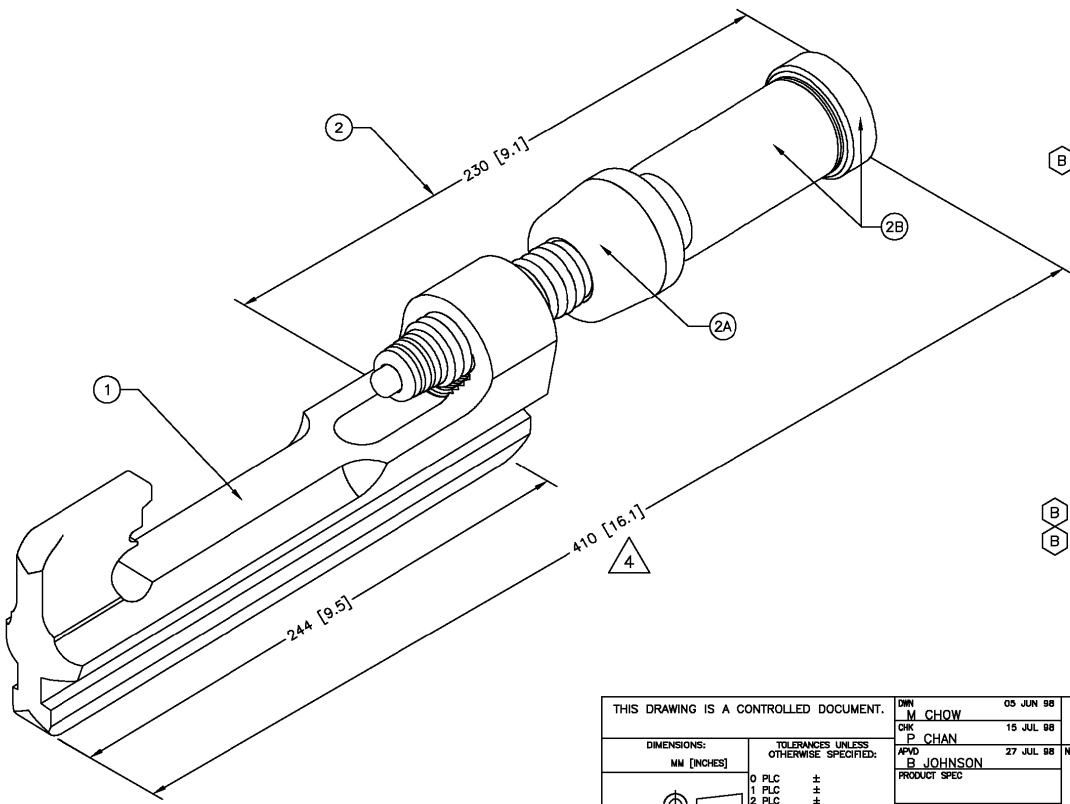


THIS DRAWING IS UNPUBLISHED. RELEASED FOR PUBLICATION .19 .
 (C) COPYRIGHT 19 BY AMP INCORPORATED. ALL RIGHTS RESERVED.

LOC	DIST	REVISIONS					
GA	1	P	LTR	DESCRIPTION	DATE	DWN	APVD
		B		REVISED PER EC LC20-0026-01	15JUN01	CD	BJ

1. FOR INSTALLATION OF YELLOW IMPACT TAPS ONLY.
2. REFER TO CUSTOMER MANUAL 409-2106 FOR INSTRUCTIONS ON PROPER USE AND MAINTENANCE OF TOOLING.
3. DIMENSIONS ARE FOR REFERENCE ONLY.
4. MAXIMUM OPERATING LENGTH.
5. WEIGHT : 3.75 KG [8.25 LBS].
6. IMPACT CLEANING TOOL AND TAKE OFF CLIP ASSEMBLY ARE NOT SHOWN IN THE DRAWING.



B	1	YELLOW TAKE OFF CLIP ASSEMBLY	4
B	1	IMPACT CLEANING TOOL	3
B	1	BREECH CAP ASSEMBLY	2B
	1	BREECH ASSEMBLY	2A
	1	UNIVERSAL POWER UNIT	2
	1	LARGE TOOL HEAD	1
	-	DESCRIPTION	ITEM

THIS DRAWING IS A CONTROLLED DOCUMENT.		DWN	M CHOW	05 JUN 88
DIMENSIONS:		CHK	P CHAN	15 JUL 88
MM [INCHES]		APVD	B JOHNSON	27 JUL 88
TOLERANCES UNLESS OTHERWISE SPECIFIED:		NAME		
0 PLC	±	PRODUCT SPEC		
1 PLC	±	APPLICATION SPEC		
2 PLC	±	WEIGHT		
3 PLC	±	CUSTOMER DRAWING		
4 PLC	±	SCALE		
ANGLES	±	SHEET		
MATERIAL	FINISH	REV		
STEEL	B	B		

AMP		Tyco Electronics Canada Ltd.	
		Markham, ON L3R 1E1	
LARGE IMPACT TOOL			
SIZE	CAGE CODE	DRAWING NO	RESTRICTED TO
A3	00779	C=69611	
SCALE		SHEET	
NTS		1 OF 1	