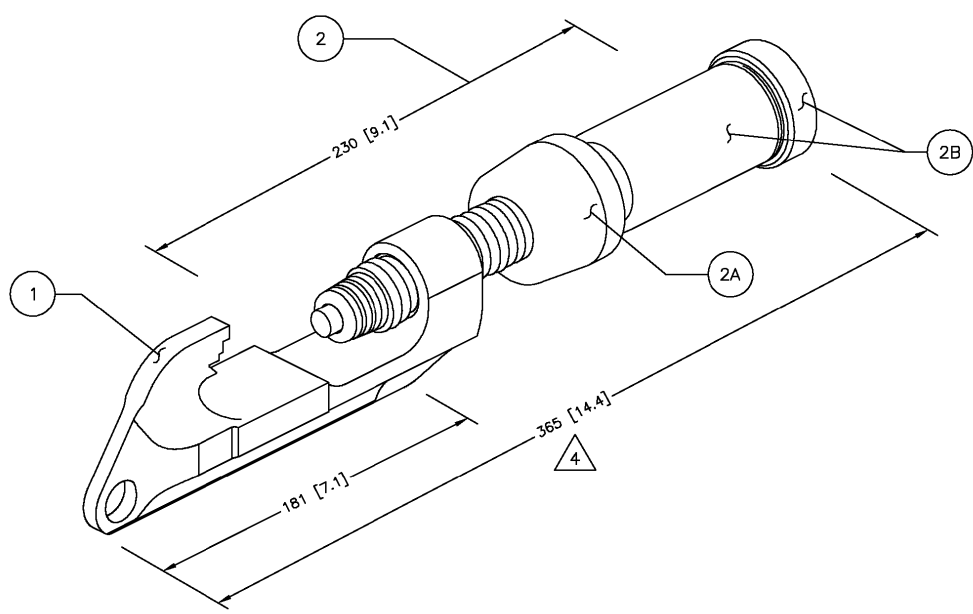


THIS DRAWING IS UNPUBLISHED. RELEASED FOR PUBLICATION .19 .  
 © COPYRIGHT 19 BY AMP INCORPORATED. ALL RIGHTS RESERVED.

LOC	DIST	REVISIONS			
P	LTR	DESCRIPTION	DATE	DWN	APVD
GA	1	C	REVISED PER EC LC20-0026-01	14JUN01	CD BJ



1. FOR INSTALLATION OF RED, WHITE AND BLUE AMPACT TAPS.
2. REFER TO CUSTOMER MANUAL 409-2106 FOR INSTRUCTIONS ON PROPER USE AND MAINTENANCE OF TOOLING.
3. DIMENSIONS ARE FOR REFERENCE ONLY.
4. MAXIMUM OPERATING LENGTH.
5. WEIGHT: 2.36 KG [5.20 LBS].
6. AMPACT CLEANING TOOL AND TAKE OFF CLIP ASSEMBLY ARE NOT SHOWN IN THE DRAWING.

1	-	RED & BLUE TAKE OFF CLIP ASSEMBLY & RED PLATFORM	4
-	1	WHITE & BLUE TAKE OFF CLIP ASSEMBLY	
1	1	AMPACT CLEANING TOOL	3
		BREECH CAP ASSEMBLY	2B
1	1	BREECH ASSEMBLY	2A
		UNIVERSAL POWER UNIT	2
1	1	SMALL TOOL HEAD	1
-3	-	DESCRIPTION	ITEM

THIS DRAWING IS A CONTROLLED DOCUMENT.

DIMENSIONS: MM [INCHES]	TOLERANCES UNLESS OTHERWISE SPECIFIED: 0 PLC ± 1 PLC ± 2 PLC ± 3 PLC ± 4 PLC ± ANGLES ±	DWN M CHOW 04 JUN 88	CHK P CHAN 15 JUL 88	APVD B JOHNSON 27 JUL 88	NAME
MATERIAL STEEL	FINISH	APPLICATION SPEC			WEIGHT
		CUSTOMER DRAWING			SCALE

**AMP** Tyco Electronics Canada Ltd.  
Markham, ON L3R 1E1

SMALL AMPACT TOOL

SIZE A3 CAGE CODE 00779 DRAWING NO. 69437 RESTRICTED TO

SCALE NTS SHEET 1 OF 1 REV C