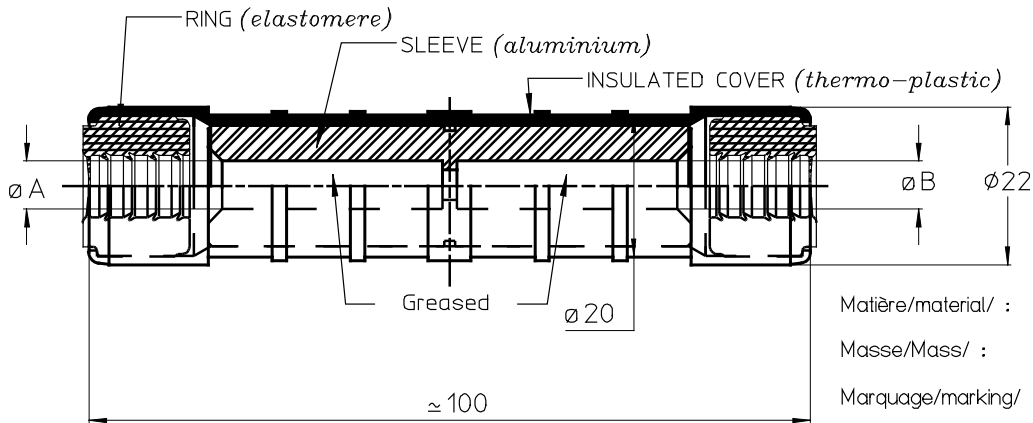


LOC	DIST	REVISIONS					
FH	00	P	LTR REV	DESCRIPTION MODIFICATIONS	DATE	DWN DESS.	APVD APPR
			F	MISE A JOUR PLAN/CARTOUCHE	24-Jun-08	FM	GP
			G	MISE A JOUR pour docmanager	24-Dec-08	CA	GP



Matière/material/ : NA
 Masse/Mass/ : NA
 Marquage/markings/ : reference, area, date,

Outillage/Die/ : E173

Number of crimps: 2x3 (width=9mm)

Conductors		Part Number	REFERENCE	Ø A	Ø B
Cond.A	Cond.B				
16	16	708357-2	MJPT 16	5.5	5.5
25	25	709357-3	MJPT 25	6.5	6.5
35	35	708007-2	MJPT 35	8	8
35	25	1-708007-2	MJPT 35-25	8	6.5
50	50	708007-3	MJPT 50	9	9
50	25	1-708007-1	MJPT 50-25	9	6.5
50	35	1-708007-0	MJPT 50-35	9	8
70	70	708007-7	MJPT 70	10.5	10.5
70	16	1-709357-8	MJPT 70-16	10.5	5.3
70	35	708007-5	MJPT 70-35	10.5	8
70	50	708007-8	MJPT 70-50	8	8
70	54	1-709357-7	MJPT 70-54	10.5	10
95	95	1-709357-3	MJPT 95	12.2	12.2
95	25	2-709357-4	MJPT 95-25	12.2	6.5
95	35	2-709357-3	MJPT 95-35	12.2	8
95	50	1-709357-6	MJPT 95-50	12.2	9
95	70	1-709357-5	MJPT 95-70	12.2	10.5

RING COLOR CODE:

16: blue
 25: orange
 35: red
 50: yellow
 54: black
 70: white
 95: grey

RELEASED FOR PUBLICATION
 ALL RIGHTS RESERVED
 TOUS DROITS RESERVES
 BY TYCO ELECTRONICS CORPORATION
 THIS DRAWING IS UNPUBLISHED.
 DIFFUSION RESTREINTE
 © COPYRIGHT 2007

DIMENSIONS: mm	DWN /DESSINE C.ANDRE	24-Dec-08	MATERIAL MATIERE	-	FINISH FINITION	-
	CHK /VERIFIE L.MAINIER	-				
TOLERANCES UNLESS OTHERWISE SPECIFIED PER TOLERANCES NON SPECIFIEES SELON :	APVD /APPROUVE G.PORCHERAY	-				
	PRODUCT SPEC SPEC. PRODUIT	-	NAME TITRE MJPT ... D20 (sleeve for phase conductors of LV-ABC systems with neutral messenger)			
	APPLICATION SPEC SPEC. APPLICATION	-	SIZE FORMAT A4	CAGE CODE 00779	DRAWING NO No PLAN ©=708007	RESTRICTED TO RESERVE A -
	APPROX. WEIGHT MASSE APPROX.	-	CUSTOMER DWG / PLAN CLIENT			
UNIQUEMENT POUR REFERENCE			SCALE Echelle	1:1	SHEET FEUILLE	1 OF DE 1
					REV	G