

4

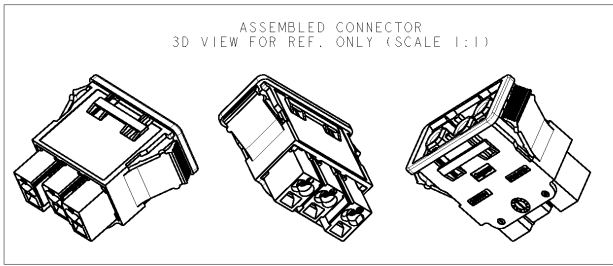
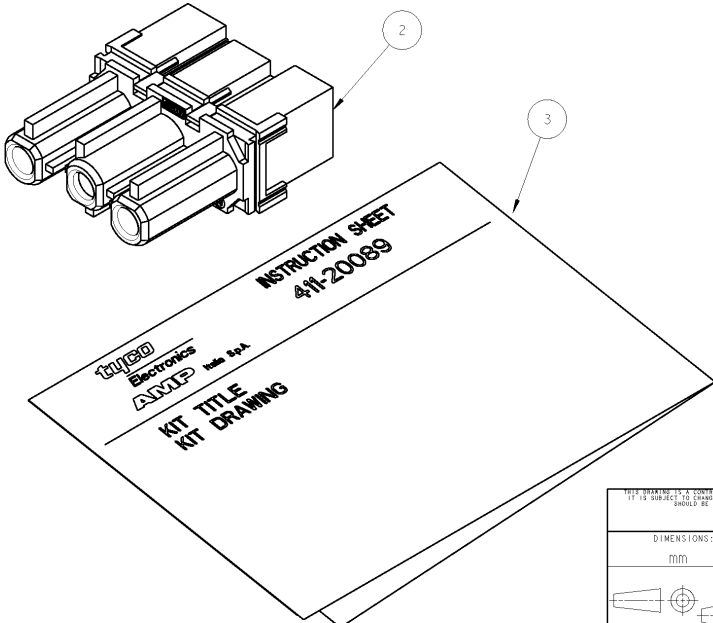
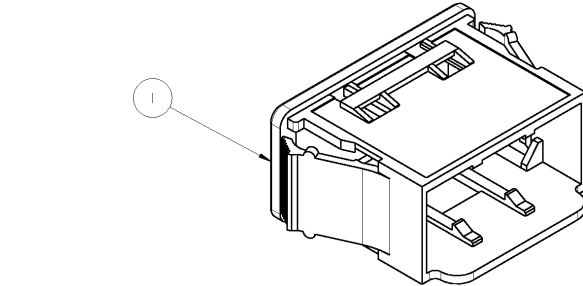
3

2

1

THIS DRAWING IS UNPUBLISHED. RELEASED FOR PUBLICATION 2006
 COPYRIGHT 2006 BY TYCO ELECTRONICS CORPORATION. ALL RIGHTS RESERVED.

LOC	DIST	REVISIONS			
P	LTR	DESCRIPTION	DATE	DWN	APVD
0		FIRST ISSUE	06FEB2006	UA	GT



- NOTES:
- 1) PACKAGING ACCORDING TO TYCO SPECIFICATION 107-20255
 - 2) INSTRUCTION-SHEET 411-20089 SHOWS ASS'Y OPERATION FOR END USER

QTY	REV	DESCRIPTION	ITEM
1	1	TYCO INSTRUCTION SHEET	3
1	-	TYCO NECTOR* 3 POS. RECPT. CONN. SPRING CLAMP TERM. (WHITE VERSION)	2
-	1	TYCO NECTOR* 3 POS. RECPT. CONN. SPRING CLAMP TERM. (BLACK VERSION)	2
1	-	TYCO NECTOR* PANEL MOUNT FRAME FOR 3 POS. CONN.S. (WHITE VERSION)	1
-	1	TYCO NECTOR* PANEL MOUNT FRAME FOR 3 POS. CONN.S. (BLACK VERSION)	1
-2	-1	DESCRIPTION	ITEM
0	0	REVISION OF EACH ASS'Y N.	

<small>THIS DRAWING IS A CONTROLLED DOCUMENT FOR TYCO ELECTRONICS CORPORATION. IT IS SUBJECT TO CHANGE AND THE CONTROLLING ENGINEERING ORGANIZATION SHOULD BE CONTACTED FOR THE LATEST REVISION.</small>		OWN 06FEB2006 CHK U.AIME 06FEB2006 APVD U.AIME 06FEB2006 G.TRCO 06FEB2006	tyco Electronics AMP Italia S.p.A. C.so F.lli Cervi 15 Collegno (TO)
DIMENSIONS: mm 	TOLERANCES UNLESS OTHERWISE SPECIFIED: 0 PLC ± 1 PLC ± 2 PLC ± 3 PLC ± 4 PLC ± ANGLES ±	NAME TYCO NECTOR* 3 POS. PLUG CONN. SPRING CLAMP TERM. KIT FOR PANEL MOUNT FRAME	RESTRICTED TO -
MATERIAL -	FINISH -	APPLICATION SPEC - WEIGHT - SIZE A3 CAGE CODE 00779 DRAWING NO. C-293111	CUSTOMER DRAWING SCALE 5:1 SHEET 1 OF 1 REV 0

AMP 1470-19 REV 31MAR2000

Proj/ENGINEER DRAWING